

Vertically Stacking Chromstar II Single Channel TV Antennas

Chromstar II cut-to-channel antennas are designed to provide high uniform gain, sharp directivity and excellent front-to-back ratio on a single VHF TV channel.

These antennas can be used anywhere. It is essential to receive a maximum amount of interference-free signal off the air.

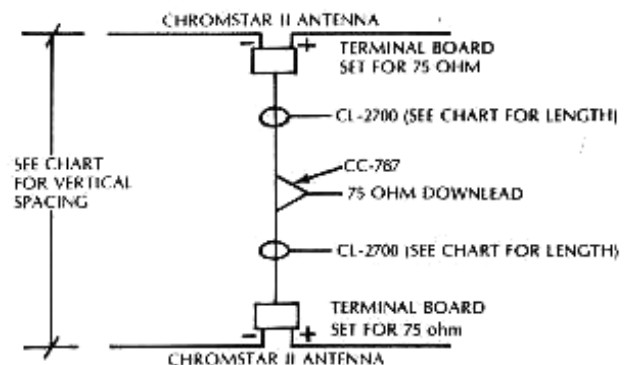
In MATV systems, cut-to-channel Chromstar II antennas provide the high quality signals required as well as individual downleads for each channel received. The extremely rugged construction of Winegard Chromstar II antennas also supplies the dependability, long life and maintenance-free operation required in MATV installations.

Winegard Chromstar II cut-to-channel antennas are designed to meet the exacting requirements of MATV but are priced well within the reach of even modest installations - and are often cheaper than rotor installations.

Hans Rabong, technical services manager, has provided this step-by-step procedure for the correct installation of stacking Chromstar II single channel antennas.

Stacking Instructions

1. Unfold both antennas.
2. Set terminal boards for 75 ohm output.
3. Attach a piece of CL-2700 (precut to proper length) to each terminal board.
4. Close up housing on each antenna.
5. Mount upper antenna on mast.
6. Mount CC-787 below the upper antenna one-half of the vertical spacing (see spacing chart).
7. Connect the CL-2700 cable from the upper antenna to "set 1" connector of the CC-787 coupler and tape cable to mast.
8. Mount lower antenna on mast at proper distance below upper antenna (see spacing chart).
9. Connect the CL-2700 cable from the lower antenna to "set 2" connector of



the CC-787 coupler and tape cable to mast.

10. If a preamp is **not required**, the downlead can be connected directly to the "antenna" connector on CC-787 coupler.

11. If a preamp is **required**, then a third length of CL-2700 is needed to connect between "antenna" connector of CC-787 and "VHF input" connector of a preamplifier below lower antenna.

12. Mount preamplifier below lower antenna.

13. Tape cable to mast to prevent wind whipping.

14. Selecting preamp: PA-1375 is recommended for all VHF single channel stacks for either metropolitan or fringe areas.

Special Notes

A. TP series traps are available for attenuation of either strong TV or FM signals causing interference. These traps will mount in the Chromstar II cartridge housing. Both antennas must have identical traps. The housing will hold the terminal board and up to two TP series traps.

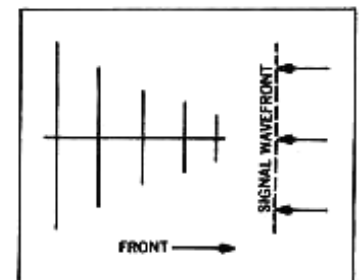
B. If additional trapping is required, or if you have special reception requirements or other questions, contact the Technical Services Department of Winegard Company for assistance.

Equipment Required

1. Two single channel Chromstar II antennas.
2. One CC-787 coupler
3. Mast
4. Two (2) pieces of CL-2700 cable, cut to length shown below, with proper "F" fittings.

Spacing and Cable Lengths

Channel	Vertical Spacing	CL-2700 Length
2	145"	85"
3	130"	76.5"
4	120"	69.5"
5	105"	60.5"
6	100"	56.0"
7	48"	52.0"
8	46"	51.0"
9	44.5"	49.5"
10	43.5"	48.0"
11	42.25"	46.5"
12	41.0"	45.0"
13	40.0"	43.5"



Top view of a typical Yagi antenna.

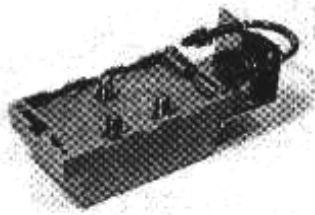
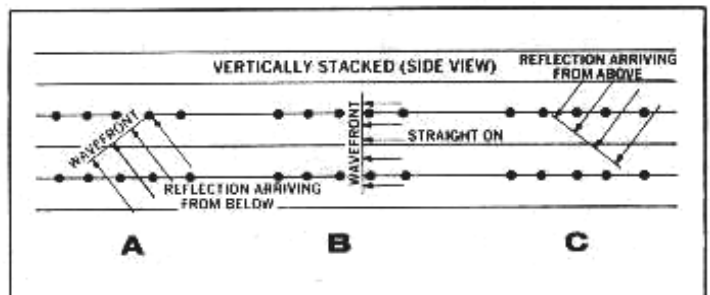
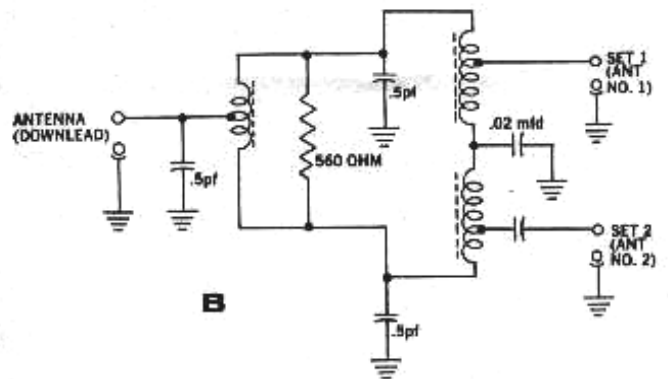


Photo (A) and schematic diagram (B) of a Wingard Model CC-787 two-set coupler which, although designed and used principally for connecting two TV receivers to a single download, can be used to combined the outputs of two stacked antennas.



Side views of vertically stacked Yagi antennas showing relationship of antenna elements and arriving signals. A) Signal reflected from below. B) Signal received straight from source. C) Signal reflected from above.