

The Worldwide TV-FM DX Association

Serving the VHF-UHF Enthusiast



VHF-UHF DIGEST

E-ZINE VERSION

NOVEMBER 2002

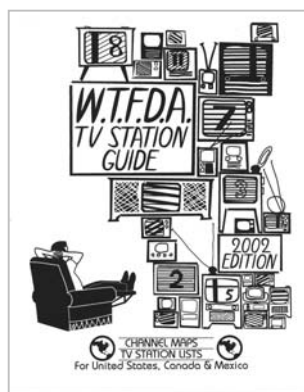
The VHF-UHF Digest is the official publication of the Worldwide TV-FM DX Association dedicated to the observation and study of the propagation of long distance television and FM broadcasting signals at VHF and UHF. The WTFDA is governed by a board of directors: TOM BRYANT, GREG CONIGLIO, BRUCE HALL, DAVE JANOWIAK AND MIKE BUGAJ.



Now, for those of you online with an email address, we now offer a quick, convenient and secure way to renew your membership in the WTFDA. Just go to the Paypal website, click on *send money*, type the following address mbugaj@snet.net and the proper amount in the boxes provided. Dues are \$25 if paid by cash and \$26 if paid by credit card because of fees charged.

CONTENTS

Page Two	2
Mailbox	3
TV News...Doug Smith	5
FM News ... Steven Wiseblood	11
Eastern TV DX...Matt Sittel	13
Western TV DX...Victor Frank	16
Southern FM DX...John Zondlo	20
Northern FM DX...Keith McGinnis	22
Photo News...Jeff Kruszka	25
More WTFDA Convention 2002	27
Logbooks	29
Antenna Specs	30
Editors and Submissions	31



The 2002 WTFDA TV STATION GUIDE

Yes, it's still available! Help us sell them all! Just \$23 US will buy you one. Mail your check or money order today. Make it payable to Dave Janowiak and mail it to John Ebeling,

9209 Vincent Avenue S., Bloomington, MN 55431-2157. <http://fmdx.usclargo.com/tvg.html>

Well, time flies and we are heading for Christmas. What better time to buy yourself a gift like a WTFDA T Shirt or a TV Station Guide. We've hit the 100 mark in Station Guide sales and we don't have a large amount of them left and there won't be a book for 2003 so if you need one, get it now! Buy a WTFDA 2002 convention T shirt and wear it to family gatherings and confirm their suspicions.

We've got good reading and DX in this issue, so sit down, relax and start reading.

Enjoy this issue of the VHF-UHF Digest!

We'll Give You The Shirt Off Our Backs If you'll just send us \$10.00!



We have some WTFDA Convention 2002 T-shirts for sale and you can get one if you act now! Just send a check or money order for \$10 payable to Dave Janowiak and mail it to WTFDA, P.O. Box 501, Somersville, CT 06072 and we'll send you one. Don't forget to tell us what size you want. Currently in stock we have L and XL sizes.

This offer ends 12-31-2002. Place your order NOW!

Introducing the WTFDA DXALERT List!

For those members with computer access, this is a list for DXAlerts and only DXAlerts. No talk, no chat, no discussion. Only skip alerts...concise and to the point. If a list like this interests you, send an email to WTFDA2-subscribe@topica.com. All you'll ever get is skip alerts.



The Mailbox

P.O. Box 501, Somersville, CT USA 06072
MIKE BUGAJ MBUGAJ@SNET.NET

NOVEMBER 2002

SO WHOS TOWER WAS THAT?

Welcome to the Mailbox for November. I suppose what many of you want to know who owns that tower you saw on the front cover of the VUD last month. I know Rich Wertman wants to know. Well, let's give you the answer. The owner of the tower is not a WTFDA member. He was a long time ago and perhaps he'll be again. He lives in Kokomo, Indiana and he recently found us on the internet and joined the WTFDA list. His name is James Gould and his name is very familiar to Bob Cooper because he and Bob worked together (CADCO, I think) in the 70s. In fact, James built his tower from the specs Bob gave him. Let Jim speak for himself, "Although he might not remember, I did get Bob Cooper's input on how to best combine the antennas before they were put together in 1973(?). I followed his instructions meticulously and it worked well, with a 50db deep null in the antenna pattern on ch6 which permitted, for example, by placing one of the nulls over local (now) WRTV-6 and watching channel 6 in Miami for about an hour the first time skip was in from that direction (Miami is a few degrees east of my Indy local ch6.) James also adds "I WILL subscribe (just gotta take the time to do it.)"

MEMBERS AND MORE

We have three new members this month and the first is **John Holcomb**. John is 20 years old, lives in Bensalem, PA and is an associate member using the WTFDA list. It's really good to see that some young people still like Dxing in this day of satellite radio and cable TV and CDs and DVDs and DirecTV. Next we have **Carl Hattan**. Carl lives in Melbourne, FL and he, too, was a member many years ago. Welcome in John and welcome back Carl! And finally we welcome **Bill Liles** into the club. Bill lives in Reston, VA and found about us from doing a Google

search on the internet for TV and FMDX! Welcome Bill and thank you Google. Google has been a good source of new WTFDAers over the past few months.

Renewals came in this month from myself (I'd *better* renew!), **Joe Fela**(NJ), **Leslie Green**(LA), **Wayne Benkinney**(MI), **Bill Smith**(MA), **Steve Branch**(IL), **George Green**(OH), **Kurt Nelson**(PA), **John Ridge**(NY), **Larry Weil**(NH), **Robert Delaney**(IL), and **Keith Short**(OH). Thank you all for staying with us for another year!

Here's a little note of introduction from **Carl Hattan**. Carl writes "I was a member many years ago and my interest in FM DX has been rekindled. Over the past couple of years I have built up quite a collection of receivers and have built several antennas, which I feel work quite well. As I go along. I will post the successes (and failures) to the mailing list which I also have joined.

The WTFDA gives me a chance to exchange notes and ideas and could probably prevent me from "re-inventing the wheel" as far as equipment is concerned."

A note from **Gary Hickerson** in Ft. Smith, AR asks "I really enjoy reading the VUD. I am familiar with most TV and FM antennas and preamps but with some models listed, I'm not. Can you tell me what these FM antennas are and who makes them? APS-13, APS-14, FM13, Conrad RDS Manager." I'll do it again for those members who don't know. First, the APS13/14 are made by Antenna Performance Specialties in Bolton, CT. Ed Hanlon is owner and for a time was in the WTFDA. I've met him a few times and I'll tell you that he is one guy passionate about antennas. The APS-14 was his first attempt at the ultimate FM antenna. After more tweaking of the design he discontinued the APS14 and now sells the "tweaked" version as the APS-13. As far as FM antennas go, you can't do better than this. This antennas outdoes anything else available. The only drawback I can see is the length of this monster. For most folks it's just too long.

So, to accommodate those who can't have a long antenna on their roof, Ed came out with the APS-9, which is 9 elements as opposed to the 13 or 14 elements on the longer models. The APS-9 is another very "hot" antenna.

The FM-10 is an antenna made by Antennacraft, I think. I don't know too much about it. You could probably place it in the "fair" category.

The Conrad RDS Manager is a little black box that sits on or near your FM tuner or receiver. It can connect to your audio out jacks to display RDS codes on the unit's display. It is a neat way to get Ids from FM stations without actually hearing them. These units were hot in Europe for a long time. Eventually Conrad discontinued making them, but WTFDA member Bill Nollman found a pile of them stashed away at some distributor's warehouse in Germany and bought some and sold them to Dxers in the club.

Although the units can be used by plugging into your receivers audio-out jacks, a better way is to tap into your receiver's circuitry to make it more sensitive. Plus you can get free software to run the units output into a computer for even more sensitivity.

Dennis Smith checks in from Santa Barbara to say "I would like to comment about an article of interest in the 8/2002 VUD: DTV Interference...Issues Loom by Ken Kerschbaumer, from Broadcasting and Cable, June 24, 2002. I just wonder if this is promising to be the same kind of "innocent screwup" by the FCC (at least, in hindsight..) that plagued the early days of FM Radio broadcasting and UHF television. One statement really caught my attention: "Some people think that the DTV spectrum was spectrum that wasn't being used." Meaning, apparently, it is thought by some that digital TV stations are on a different, separate group of channels. I hadn't thought about that before, but it would seem logical, sort of like the difference between AM and FM radio. When I thought more about that, it would have been perhaps better in lots of ways (assuming we could spare the spectrum) to leave the "regular/standard" analog channels intact (like AM 'standard broadcast') and start a separate 'superior quality' TV-broadcast service on a separate group of channels (like FM broadcast) to develop as the market and economy permit. As it is now, while being allowed to listen to AM and FM radio interchangeably, we are told for TV that we are in this rush to convert to DTV by itself whatever the cost to

broadcasters and the public and to give up analog TV broadcasting entirely before long. I do recall that in the very early days of FM broadcasting, one idea then was that FM was to replace AM entirely. In the long haul, both have survived nicely. It is hindsight, perhaps, given the present rocky momentum/FCC philosophy for television, but maybe the TV channels through 83, at least, ought to have been retained for DT use, unless that sort of idea is still possible. (And we must keep up with Japan, mustn't we??) What would be the FCC mailing address for such comments?"

Well Dennis, I wouldn't bother with any comments for the FCC. I, among others, sent comments regarding IBOC (in band-on channel) broadcasting to the FCC while the window was open. In my opinion it was an exercise in futility since I really believe that the results were already pre-determined. You will probably read in this VUD that IBOC has already been approved for FM and AM broadcasting. Indeed, on the AM side, WOR in New York is already broadcasting IBOC during the daytime hours. I've also read that Clear Channel is ready to go with IBOC on their FM stations in the top five markets beginning in January 2003. As far as separate bands for DTV or digital radio, that is not going to happen. Stay tuned!



SHOW US YOUR CARD

Well, we asked you to include your QSL or ID card when you send in your renewal, and sure enough we got one. This card belongs to Larry Weil in Salem, NH. If you want others besides me to see what your card looks like, just pop one in the mail or send it along with your renewal. Thanks!

LAST BUT WHAT?

I hope you noticed we take Paypal now. We get charged a fee of \$1.00 every time we take your money, plus another buck if you renew by credit card. So, please use the correct amount if you use Paypal. Thanks!

TV News

October 2002

Douglas E. Smith W9WI
 1385 Old Clarksville Pike
 Pleasant View, TN 37146-8098
 W9WI@w9wi.com http://www.w9wi.com

Abbreviations:

AF	Applied for (a new station)	QC	Channel change on the air
aux	Auxiliary (backup) transmitter	QG	Channel change granted
CC	Call change	QR	Channel change requested
CL	City-of-license change	RA	Returned to the air
DE	Station deleted	ROA	Request of applicant
FC	Programming (format) change	SI	Off the air ("silent")
LC	License to cover (for changes or new station)	STA	Special Temporary Authority
NO	Not on the air	XC	Transmitter site change on the air
NS	New station granted permit	XG	Transmitter site change granted
NW	New station on the air	XR	Transmitter site change requested
PC	Power (or tower height) change on the air		
PG	Power (or tower height) change granted		
PR	Power (or tower height) change requested		

DTV stations *in italics*; full-license stations in **boldface**.

News:

Alabama:

Berry 15 WSFG-LP QG from ch. 63, 3kw
Huntsville 49 WAFF-DT PG<41kw/552m
Montgomery 14 WSFA-DT QG from ch. 57
Montgomery 27 WAIQ-DT QG from ch. 14
Tuscaloosa 3 WCFT-DT PA from channel 34

Alaska:

Anchorage 45 new-LP AF dismissed ROA also ch. 38
Fairbanks 26 KTVF-DT PR<12kw
 Fairbanks 43 new-LP AF dismissed ROA also chs. 35, 39, 41

Arizona:

Duncan 20 K23CK QC from ch. 23
 Fortuna 41 KBFY-LP CC from K41EM
 Kingman 23 K23FV QC from ch. 60
 Phoenix 19 KPHE-LP PR>60.4kw, 33-19-58/112-03-53
Tucson 4 KVOA PG 35kw/1092m

Arkansas:

Fayetteville 35 K22ES QR from ch. 22, PR>88.2kw, 35-48-53/94-01-41, CL from Batesville

California:

Avalon 47 KAZA-DT GA
Bakersfield 25 KGET-DT PR<135kw/405m
Bakersfield 52 KBTF-LP CC from KSUV-LP
Cathedral City 38 KPSP-LP QC from ch. 58, 9kw, 33-51-56/116-25-58
 Coalinga 43 K43HS QR from K42DT dismissed, petition to deny granted
Eureka 17 KVIQ-DT PR<30kw/550m, DA
Eureka 29 KBVU PG>67kw/470m, 40-43-39/123-58-17
Fresno 7 KAIL-DT NW 38kw/560m
Fresno 41 KTFF-LP CC from KQJA-LP
Hanford 20 KFTV-DT NW 350kw/580m
Indio 8 KVPS-LP PR>2.95kw, PG>0.99kw

Merced 51 KNSO PC>5000kw/558m, 37-04-19/119-25-49
Modesto 18 KUVS-DT NW 500kw/555m
Modesto 61 KACA-LP CC from K61FI
Monterey 32 KION-DT PR<46kw/758m, DA
Palm Springs 46 KMIR-DT NW 12kw/212.5m
Porterville 48 KPXF-DT NW 197kw/804m
Redding 47 K47GR PR>25kw
Riverside 25 new-LP AF dismissed ROA
Sacramento 31 KMAX-TV PR>560m
San Mateo 43 KCSM-DT PR>536kw/428m, 37-45-19/122-27-06
Santa Barbara 27 KEYT-DT PG>1000kw/918m
Santa Maria 19 KCOY-DT PR<130kw/579m
Santa Maria 51 K65CJ QC from ch. 65, 5kw, 34-50-05/120-22-57
Santa Rosa 54 KFTY-DT PR>30kw/928m, DA
29 Palms 16 K63CG QC from ch. 63
Visalia 8 KFAZ-CA CC from K08LV

Colorado:

Boulder 47 K47GB PR>400w
Colorado Sprs. 22 KXRM-DT PG<51kw/641m
Colorado Sprs. 30 K30AA PG>126.5kw
Colorado Sprs. 43 K43CG XR 38-44-43 /104-51-42
Denver 35 KCNC-DT PR<373m, DA,
Denver 45 K55AU QR from ch. 55, 39-43-51 /105-13-54
 PR>12.1kw
 39-54-48/105-17-33and
 CLfrom Windcliff dismissed
 ROA
Denver 66 K66FB PR>47.3kw
Durango 15 KREZ-DT PR<46kw/90m, DA
Grand Junction 11 KKCO PG>446m, 39-04-00/108-44-45
Grand Junction 12 KKCO-DT PR<5.3kw/452m, 39-04-00/108-44-45, already granted
Trinidad 15 K15GH QG from K69CX, 1.056kw

Connecticut:

Hartford	38 WHCT-LP	PG>41.7kw, 41-47-48/72-47-52	Aurora Bloomington	59 WXFT-DT 51 W51CT	NW, 200kw/509m PR 6.6 & 8kw dismissed ROA; PG 6.9kw QR from ch. 53, 37.5kw, 41-53-56/87-37-23 (John Hancock Center), CL from Ludington, MI via Milwaukee
Florida:			Chicago	18 W53CC	request to drop DA XR 40-02-18/88-40-10 XC 40-18-46/87-55-00
Clermont	18 WKCF	PC>513m, 28-35-12/81-04-58			
DeFuniak Springs	24 W24AM	PG<7.5kw, QG to plus offset	Chicago Urbana	31 WFLD-DT 9 WILL-DT	
Gainesville	27 W08DM	QR from ch. 8, 100kw, 29-35-22/82-04-21; CL from Colquitt, GA			
Jacksonville	45 W45BZ	QC from ch. 67, 50kw, 30-16-51/81-34-12	Urbana	27 WCCU	
Miami	19 WBZL-DT	PC 1000kw/252m			
Miami	26 WPXM-DT	PR>282m, 25-59-09/80-11-37	Indiana:		
Oldsmar	48 W48AY	PG>45kw	Bloomington	30 WTIU	PC>1622kw/221m
Orlando	16 WTWD-LP	PR<50w, 28-27-27/81-27-57 dismissed ROA	Fort Wayne	31 WANE-DT	PR>1000kw/242m
		QR from ch. 17, 3kw, 30-19-42/85-41-22 dismissed ROA	Indianapolis	17 WIIH-CA	QC from ch. 11, 14.5kw
Panama City	5 W17CG	PG>42kw, 30-11-41/85-37-51	South Bend	57 WBND-LP	PR>58.2kw, 41-35-58/86-11-07, already granted
Panama City	14 W14CN	PR>575m, 30-36-45/87-38-43	South Bend	69 WRDY-LP	PG>131kw, 41-35-58/86-11-07
Pensacola	3 WEAR-TV		Vincennes	52 WVUT-DT	NW, 59.4kw/165m
Georgia:			Iowa:		
Athens	12 WGTV-DT	QR from ch. 22, 16kw/304m, DA	Cedar Rapids	51 KGAN-DT	PR 500kw/585m, 42-18-59/91-51-30
Atlanta	20 WTBS-DT	NW 450kw/310m, 33-48-26/84-20-22	Davenport	49 KLJB-DT	PR>343.7m, DA, 41-18-44/90-22-45
Atlanta	22 WSKC-LP	QR from ch. 59, 150kw	Des Moines	56 new-DT	GA from ch. 69
Atlanta	36 WATL	AF 2690kw/332m (aux)	Sioux City	56 K56GO	QR from K45EE, 13.8kw, 42-35-12/96-13-19 & CL from Ottumwa dismissed ROA
Dawson	8 WACS-DT	QR from ch. 26, 4.9kw/331m, DA	Spencer	65 K65HI	NS 20kw, 43-13-47/95-07-58
Macon	31 WDMA-LP	QR from ch. 32, 32-50-31/83-40-19	Waterloo	22 KWWF	PR<24kw/19m, 42-29-51/92-20-07, then amended to 500kw/28m, DA
Macon	45 WGNM-DT	QR from ch. 50			
Pelham	5 WABW-DT	QR from ch. 20, 3.8kw/474m, DA	Kansas:		
Savannah	13 WVAN-DT	QR from ch. 46, 20kw/293m, DA	Garden City	39 K39FW	PR<10.1kw
Savannah	17 W51CQ	QR from ch. 51, 60kw, 32-03-26/81-08-46 & CL from Colquitt dismissed ROA	Hutchinson	29 KPTS-DT	PG<146kw/217m, 38-03-21/97-46-35
Waycross	9 WXGA-DT	QR from ch. 18, 20kw/286m	Lawrence	36 KMCI-DT	PG<290m, 38-58-42/94-32-01
Wrens	2 WCES-DT	QR from ch. 36, 30kw/436m, DA	Topeka	22 new	GA from ch. 43
			Topeka	43 KTLJ-LP	PG>29.3kw, QG to zero offset, 39-03-50/95-45-49, already on air
Hawaii:			Wichita	5 KCTU-LP	QR from ch. 55,
Hilo	18 KHVO-DT	PG>50kw/-187m			
Idaho:			Kentucky:		
Boise	51 K64EJ	QR from ch. 64, 18.7kw dismissed ROA	Bowling Green	48 WKGB-DT	NW 54.8kw/234m
Coeur d'Alene	58 KTYJ-LP	PR<20.3kw, 47-39-36/116-57-47	Madisonville	42 WKMA-DT	NW 55.1kw/298m, 37-11-21/87-30-49
Moscow	12 KUID-DT	QR from ch. 35	Murray	36 WKMU-DT	NW 56.9kw/187m
Moscow	35 KUID-TV	QR from ch. 12	Paducah	41 WKPD-DT	NW 55.7kw/143m
Twin Falls	51 KSAW-LP	QR from ch. 68,			
21.7kw			Louisiana:		
Illinois:			Baton Rouge	46 WAFB-DT	PR<46kw/146m, 30-26-36/91-10-54
			Hammond	42 new-DT	PA from ch. 62
			Lake Charles	7 KPLC-TV	XR 30-23-46/93-00-03

Lake Charles	8 KPLC-DT	PR>20kw/451m, 30-23-46/93-00-03		New Brunswick	36 W36AS	40-44-54/73-59-10
New Iberia	50 new	GA from ch. 53			54 dismissed ROA	QR to chs. 23 and
New Orleans	4 WWL-TV	PC<294m		New Mexico:		
New Orleans	26 WGNO	PR>3020kw/309m		Albuquerque	25 KQDF-LP	QC from ch. 35
New Orleans	38 WNOL-TV	PR<2880kw/309m 29-58-57/89-56-58		Cimarron	28 K28GF	PG>10.77kw
Maine:				Las Cruces	23 KRWG-DT	PR>1000kw/222.5m, 32-17-23/106-41-49
Bangor	22 W22BU	PR>32.4kw, 44-45-45/68-33-58		Roswell	21 960930KP	PG<128m, DA, 33-06-01/104-15-15
Michigan:				Santa Fe	46 K46GY	QG from K52BS, 150kw, 35-12-51/106-27-02
Alpena	7 W57CS	QR from ch. 57, 3kw, 45-03-58/83-28-33 & CL from Pinconning dismissed ROA		Santa Rosa	30 K30FP	QC from ch. 74,
Berrien Springs	25 WMWB-LP	PG>37.8kw, 41-36-55/86-11-07		New York:		
Detroit	33 W33BY	QC from W68CH; 15kw, 42-22-40/83-14-32		Deer Park	39 WNYN-LP	QC from ch. 51, 50kw, 40-44-50/73-56-38 on Manhattan
Houghton Lake	43 W57CQ	QR from ch. 57 dismissed ROA		Ithaca	52 950320KH	PR<26kw/-94m, 42-25-47/76-29-48
Marquette	19 WMQF	PG<500kw/248m, 46-36-14/87-37-15		New York	2 WCBS-TV	NW 1kw/228m, 40-45-28/73-59-12 (aux)
Minnesota:				New York	26 WNXV-LP	PC<20kw
Wadena	17 K20AC	PR>25kw		New York	32 WXNY-LP	QC from ch. 39, 25kw
Mississippi:				New York	53 WKOB-LP	PC<6.52kw
Biloxi	39 WLOX-DT	PR<715kw/366m		Nyack	46 WRNN-LP	QR from ch. 57, 2.5kw
Wiggins	46 new	GA from ch. 56		Syracuse	25 WCNY-DT	PR 97kw/393m, non-DA, 42-56-44/76-07-08
Missouri:				Syracuse	35 WOBX-LP	PG<980w
Cape Girardeau	47 K47FB	PR>120kw, 37-22-16/89-31-52		North Carolina:		
Kansas City	42 KSHB-DT	PG<276m, DA, 38-58-42/94-32-02		Cashiers	42 W24AU	QG from ch. 24, 600w
Kirksville	33 KTVO-DT	PG<87kw/290m		Charlotte	11 WTVI-DT	PR>3.3kw
Springfield	21 KOZK	PG 1188kw/617m, 37-10-11/92-56-30		Greenville	23 WUNK-DT	NW 71kw/331m, 35-33-10/77-36-06
Springfield	49 K49DG	PG>19.3kw, 37-12-07/93-14-02		Wilmington	3 WWAY	PR<565m, 34-07-53/78-11-17
St. Louis	51 K51FT	QG from K40FF, 70kw, 38-34-24/90-19-30		Wilmington	46 WWAY-DT	PR<800kw/590m
Montana:				North Dakota:		
Billings	11 KULR-DT	NW 6.08kw/191m		Minot	40 KSRE-DT	QR from ch. 57
Bozeman	42 K42BZ	PR<18.7kw, 45-40-24/110-52-02		Ohio		
Broadus	10 K10AC	PG>950w		Lima	16 WLMO-LP	QR from ch. 65, 15kw
Skidoo	60 K60AL	PR>150w, 47-40-39/114-08-30; CL from Rollins		Youngstown	35 WYFX-LP	QG from ch. 62, 8kw, 41-03-24/80-38-44
Nebraska:				Zanesville	16 W16BT	PG>22.7kw
Lincoln	27 K31DU	QC from ch. 31		Oklahoma:		
Nevada:				Lawton	20 K20HO	QG from K21DC, 80kw
Goldfield	7 KTVY-TV	NW 22.9kw/448m, 38-03-05/117-13-30		Muskogee	14 K14LD	QG from K31DY
Reno	13 KTVN-DT	QG from ch. 32, 16.1kw/876m, 39-18-57/119-53-02		Oklahoma City	48 K30EC	QR from ch. 30, PR>150kw, 35-17-19-97-30-10, CL from Batesville, AR
Wells	20 K58BR	QR from ch. 58,		Tulsa	13 K13XU	QG from K33EK, 1kw
950w				Oregon:		
New Jersey:				Coos Bay	22 KMTZ-DT	PR<10kw/179m, DA
Atlantic City	53 WWAC-TV	DE, DTV only		Eugene	17 KMTR-DT	PR<70kw/473m, DA
Cherry Hill	68 W68DN	PG 1.53kw, already on air				
Hackettstown	23 W23AZ	PC>4.43kw, 40-50-54/74-50-02				
Linden	36 WNJU-DT	NS 832kw/407.5m,				

Grants Pass	13 K15BP	QR from ch. 15, 30w	San Antonio	19 K60GE	53.1kw, 29-26-29/98-30-22 QR from ch. 60, 80.4kw, 29-36-39/98-53-34; CL from Alexandria LA
Grants Pass	47 K47GI	PR<2.3kw			
Medford	35 KTVL-DT	NW 10.2kw/1008m			
Roseburg	45 KMTX-DT	PR<12kw, DA	Tyler	10 KLTV-DT	QG from ch. 38
Roseburg	47 K57FS	QC from ch. 57, 3.8kw	Wichita Falls	48 K48HU	QG from K22FE, 8.4kw
Salem	50 K27ER	QC from ch. 27, 11.1kw			
<u>Pennsylvania:</u>			<u>Utah:</u>		
Clarks Summit	14 W14CO	QC from W32AD, 1.84kw	Bloomington	20 K61AC	QC from ch. 61, 790w, 37-03-48/113-34-26
Greensburg	50 WPCB-DT	PR 362kw/264m	Cedar Canyon	8 K07OR	QC from ch. 7, 10w, 37-36-02/112-51-17, CL from Duckwater, NV
Philadelphia	3 KYW-TV	NS 68kw/302m (aux)	Cedar City	4 KCSG	PR<980w/381m, 37-38-22/113-02-00 (suspect aux)
Philadelphia	10 WCAU	PR 137kw/392m, 40-02-30/75-14-11	Enoch	50 K50HI	NW 740w, 37-50-32/112-58-10
Philadelphia	67 WCAU-DT	PR>560kw/377m	Logan	12 KUTH	PR 275kw/659m, 41-47-06/112-13-55
State College	29 WHVL-LP	CC from W29AR	Modena	17 K12OH	QC from ch. 12, 200w, 37-42-14/113-44-29
<u>South Carolina:</u>			Rural Beaver	33 K18FL	QC from ch. 18, 960w, 38-31-05/113-17-03
Columbia	10 WIS PR>479m		Salt Lake City	5 KSL-TV	PG<33.6kw/1152m
Columbia	41 WIS-DT	PR 874kw/462kw, 34-07-29/80-45-23	Salt Lake City	38 KSL-DT	AF 295kw/1128m, 40-39-35/112-12-02 (aux)
Columbia	57 WACH	PG 2766kw/484m, 34-06-58/80-45-51	Tooele	64 K54GB	QC from ch. 54
<u>South Dakota:</u>			<u>Virginia:</u>		
Aberdeen	28 KABY-DT	PG<54kw/396m	Lynchburg	34 WSET-DT	PR<716kw/568m
Pierre	19 KPRY-DT	PG<61kw/347m			
Rapid City	15 KCLO-TV	granted DA	<u>Washington:</u>		
Sioux Falls	29 KSFY-DT	PR<368kw/589m	Tacoma	11 KSTW	PR>276m, DA
<u>Tennessee:</u>			Tacoma	36 KSTW-DT	PR<400kw/276m, DA, amended for 850kw.
Chattanooga	6 WOOT-LP	PR>450w, 35-07-45/85-20-02	<u>West Virginia:</u>		
Knoxville	32 WEEE-LP	PR>28kw, 35-59-20/83-57-45	Clarksburg	10 WVFX-DT	QR from ch. 28, 30kw/235m, DA
Memphis	16 W25BY	QR from ch. 25, 100kw, 35-12-41/89-48-54, CL from Jackson	Huntington	13 WOWK-TV	PR 114.8kw/414m
Memphis	38 W38BY	PR>100kw, 35-12-41/89-48-54, CL from Jackson	Lewisburg	8 WVSV-DT	QG from ch. 48
Nashville	20 WVIE-LP	PR 40kw, 36-16-05/86-47-45	Weirton	57 W57BH	PR>150kw
<u>Texas:</u>			<u>Wisconsin:</u>		
Amarillo	9 KFDA-DT	NW 20.8kw/466m	Green Bay	30 W30BU	PG>14.7kw
Beaumont	64 KUIL-LP	CC from K64GB; NW, Fox, partly // KVHP-29	Milwaukee	41 WMLW-LP	PC 37kw
Blanco	17 new	PA from ch. 52	Wausau	7 WSAW-TV	PR>373m, 44-55-14/89-41-28
Bryan	50 KBTX-DT	PG>1000kw/477m	<u>Wyoming:</u>		
Corpus Christi	27 KORO-DT	NS 1000kw, 27-42-28/97-37-59	Cheyenne	43 K43EM	PG<10kw, 41-01-18/104-46-59
Fredericksburg	44 KHPF-CA	QC from ch. 58	<u>CANADA:</u>		
Galveston	47 KTMD	QR from ch. 48, 5010kw/597m, DA, 29-34-15/95-30-37, already granted	<u>Newfoundland & Labrador:</u>		
Galveston	48 KTMD-DT	QR from ch. 47, 1000kw/597m, DA, 29-34-15/95-30-37, already granted	St. John's	6 CJON-TV	FC: requests disaffiliation from CTV.
Garland	23 KUVN	PG<517m, DA, 32-35-21/96-58-12	<u>Nova Scotia:</u>		
Harlingen	31 KGBT-DT	requests DA	Isle Madame	10 new	NW, 450w, community station 75% English, 25% French
Lufkin	11 KTRE-DT	QG from ch. 43			
McAllen	30 KSFE-LP	QR from ch. 67, 14.6kw, 26-15-19/98-09-41			
Pecos	20 K18EO	QC from ch. 18			
San Antonio	14 K57GO	QR from ch. 57,			

Ontario:

Toronto

44 new

PG<13kw/102m, 43-47-45/79-25-34

Thanks to Dennis Smith, Saul Chernos, and Tom Bryant for information in this month's column.

There's another batch of programming changes pending in Canada. CJON-6 St. John's has applied to disaffiliate from the CTV network. (This move requires government approval in Canada) All non-CBC stations in Newfoundland (and virtually all in Labrador) relay CJON, so if you're within DX range of the province this change will affect you. Also in Canada, technical facilities for the new "OMNI.2" ethnic station in Toronto are now in the database and listed above. This is much lower power than original information suggested. (And it explains the poor signal Saul has observed) There are still no call letters in the database.

There are more channel changes on the board this month too. On the analog side maybe the most DXable is KCTU-LP [55]'s application to move to channel 5 with 3kw. Wichita is within E-skip range of much of the country, chances are someone will see this one if it's granted. Two new low-band VHF DTVs have been authorized in Georgia on channels 2 and 5, and WCFT-33 near Birmingham is trying to get DTV channel 3 assigned.

It appears that frequent skip target KCSG-4 in Utah has requested a drastic decrease in power and tower height. I suspect this is actually for an auxiliary backup transmitter, though it doesn't say so. New station KWWF-22 in Iowa has also asked for a major reduction in power.

Another skip target is temporarily off the air; KDUH-4's tower near Scottsbluff, Nebraska collapsed in late September. Reinforcement work was in progress, in preparation for installation of their DTV antenna. Unfortunately two tower workers were killed, one of them as his fiancée watched helplessly on the ground. KSNF-16 in Missouri was also briefly off the air after a fire on the roof of their building. I believe the outage was only a few hours long, KSNF is back on the air.

KTMD-48 near Houston has now received their permit to move to channel 47. They'll be operating their DTV facility on channel 48. In a similar move, KUID-12 Moscow, Idaho has applied to swap DTV and analog channels. If approved, KUID will be moving to channel 35, with their DTV using channel 12. Other DTV channel realignments include WAIQ-26 &

WSFA-12 Montgomery, Alabama (14->27 and 57->14 respectively); WGNM-64 Macon, Georgia (50->45); and KSRE-6 Minot, North Dakota. (57->40)

Several groups of applicants for new stations have applied to change channels. In most cases this is to get into "core spectrum", so that the station won't risk being eliminated when channels 52-69 are deleted. Cities involved are Blanco, Texas (52->17); Hammond, Louisiana (62->42); Des Moines, Iowa (69->56); Wiggins, Mississippi (56->46) and New Iberia, Louisiana. (53->50).

A fifth change, in Topeka, Kansas, can't be explained that way. An applicant for channel 43 there has successfully petitioned the FCC to change the assignment to channel 22. Both channels are in "core" and at no risk of being reassigned to other services. However, it's interesting to note the successful applicant owns an existing LPTV station in Topeka, operating on - you guessed it - channel 43. The new full-power channel 43 station would have displaced this LPTV. By changing the full-power assignment to 22, the low-power owners will still have a LPTV station even if they don't win the auction for full-power operation.

However... Obviously it has been demonstrated that it is technically feasible to assign channel 43 for full-power operation in Topeka. There is no paired DTV channel for the now-channel-22 assignment. It is not at all impossible that the successful winner of channel 22 will petition for the assignment of DTV channel 43 at Topeka for use with an analog operation on channel 22... Of course, such a move would flatten the LPTV anyway...

The channel changes for KLTV-DT and KTRE-DT in Texas took somewhat longer than normal. Several commonly-owned LPTV stations operate on channels 10 and 11 in that part of Texas. They didn't want to move, even after KLTV ownership (KLTV and KTRE are co-owned) found alternative channels the LPTVs could use to duplicate their existing coverage. Many LPTVs don't want to believe it, but they are a secondary service; the FCC ruled the channels can go to full-power KLTV and KTRE.

The long-distance LPTV moves also continue. W53CC has applied to move from Ludington, Michigan to Chicago. Other LPTVs have asked to move to Oklahoma City, San Antonio, and Memphis. (And several moves have failed)

KUIL-LP [64] in Texas is mostly a satellite of KVHP-29. It will however carry some Texas

NFL football games rather than the New Orleans games on KVHP.

It may not be completely coincidental that WCBS-2's permanent license for an auxiliary backup transmitter was approved on Sept. 12, precisely one year and one day after the event which made the transmitter necessary.

WWAC-53's application to drop their analog operation and become a DTV-only station has been approved. Once the analog transmitter is in fact switched off, this will become the third DTV-only station. (Others: WTPX-46 Antigo, Wis. and KUEW-18 St. George, Utah.)

Dennis forwarded more detailed information from California. K42EJ Bakersfield is back on the air, so far with a test pattern and the phone number (800) 891-0066. K55CN Bakersfield has moved to channel 21 - but the calls in the database are still K55CN.

Somewhat to my surprise, Dennis indicates KERO-23 and KVPT-18 aren't operating 24 hours. Nor is KCET-28 translator K67FS.

(Dennis doesn't say whether KCET itself operates 24/7 - it's hard for me to believe a market #2 station has regular silent periods, but you never know!) KBAK-29 is 24 hours only on weekdays. Here in Nashville, all stations are 24/7 though there are occasional (and unpredictable) weekend silent periods. Unfortunately for us DXers, the KET educational stations in Kentucky recently switched to 24 hour operation as well. KETs had signed off rather early, 11pm I think.

Matthew Sadler of Chattanooga advises WTVC-DT 35 was to go on the air around the beginning of October. WTVC's analog station on channel 9 operated on reduced power for about a week while antenna work was in progress.

Mark Ericson says the permit for KAXM-10 Agana, Guam has been cancelled. In fact, KAXM is no longer in the FCC database.

Sorry about the disjointed column this month.. Here's hoping for lots of tropo. Good DX!

AS DIGITAL RADIO STUMBLES (Continued from page 15)

The various chip sets differ by how early in the receiving process they convert the signals to digital form and by their processing power and their software capabilities. The reliance on software should make it possible for users to download updated features as new services become available and for independent software programmers and radio manufacturers to install software to make their own products distinct. A number of other chip makers are also investing heavily in new signal-processing technology for the radio market, including Texas Instruments and ST Microelectronics.

Allied Business Intelligence, a market research firm, has projected that the number of digital radio receivers in the United States alone will jump from 650,000 units this year to 33 million in 2007.

Such projections, though, assume that the industry and the Federal Communications Commission will eventually agree on a standard for terrestrial digital broadcasting. Aside from a small number of stations restricted to daytime AM broadcasts, digital radio in the United States is currently confined to the satellite-based systems of XM and Sirius, both of which cover the entire nation with 100-channel networks.

Advocates of digital broadcasting say that its benefits will extend far beyond the improved sound quality and signal reach that Motorola and others are chasing with today's radio software. Such broadcasts could also deliver text messages to screens on the receivers, opening new pathways for advertisers. Philips executives, for example, foresee radios that notify shoppers of special sale items at stores in a mall as they pull into it.

Motorola said that Symphony chipsets could be easily adapted to receiving today's digital satellite broadcasts and the terrestrial broadcasts in the future. But some analysts wonder whether the analog-to-digital chipsets will undercut efforts to complete the transition to digital broadcasting, because products like Symphony give broadcasters the benefits of greater reach with no investment on their part.

"Motorola could be suppressing the demand for true digital radio," said Ryan Jones, an analyst at the Yankee Group. "The real key is how much they confuse the market and dilute the definition of digital radio."

FM NEWS

Steven C. Wiseblood
28 LBJ Blvd.
Brownsville, TX 78521
stevenwisebl@hotmail.com

NOVEMBER 2002



ABBREVIATIONS:

AFA: American Family Association
CC: **call letter** change&: satellite programming
CL: **city of license** change
CX: a **construction permit** has been **canceled**
C1,C2,etc: a change in status to that
FM license **class**
DA: **directional antenna**
DE: station has been **deleted**
FC: **format change**
GA: **granted amendment** to the table of
FM allocations
GE: **granted extension** of construction permit
GX: **granted replacement** of expired permit
LC: **license to cover** filed
(means station is ready to come on air)
MC: **multiple-city** legal ID
NC: **no change** yet on a reported change/permit

ND: **non-directional** antenna
NO: **not on the air**
NS: **new station** granted
NW: **new station** signs on
OSA: **one-step application** granted for change
PA: **proposed amendment** to change FM
table of allocation
PC: **power change** on the air ("**>**" for increase,
"**<**" for decrease, when known)
PG: **power change** granted ("**>**" for increase,
"**<**" for decrease, when known)
QC: **frequency change** occurred
QG: **frequency change** granted
RA: silent station **returns to air**
RE: station **requests extension** on permit
RX: station **requests replacement** of expired permit
SG: **slogan change** or update
SI: **station is silent**
XA: **dismissed amendment** to FM allocations
XC: **transmitter site change** occurred
XG: **transmitter site change** granted



ALABAMA:

Reform: WTID 101.7 SC to "**Star 101.7**"

ARIZONA:

Globe: KVJC 91.9 NW
Oro Valley: KCMT 101.1 FC to regional Mexican,
SC to "**La Caliente**"

ARKANSAS:

Hot Springs: KYDL 96.7 CC (ex KLXQ). SC "**The Mix**"
Mountain Pine: KLXQ 101.9 CC (ex KZBR)

CALIFORNIA:

Cloverdale: KSRT 107.1 NW classic rock,
"**Real Rock 107**"
Fresno: KVSF 101.1 FC to top 40, SC "**Y-101**"

COLORADO:

Wellington: KKQZ 94.3 NW

FLORIDA:

Greenville: WYJC 90.3 NW
Parker: WFBX 94.5 CC (ex WPPT) FC to classic rock,
SC "**The Fox**" (Panama City)
St. Marks: WUJC 91.1 NW
Tallahassee: WUTL 106.1 CC (ex WWLD),
FC to classic rock. SC to "**U-106.1**"

GEORGIA:

Cairo: WSLE 102.3 SC to "Groovin' 102",
FC to rhythmic oldies
Darien: WBGA 107.7 CC (ex WYNR)
Springfield: WSIS 103.9 SC to "**V-103.9**", (Savannah)

adds black gospel to its R&B oldies format
Waycross: WYNR 102.5 CC (ex WBGA) FC to oldies,
SC to "the Beach"

IDAHO:

Pocatello: KAWS 90.3 NW

ILLINOIS:

Milford: WJCL 91.3 NW
Pontiac: WPJC 88.3 CC (ex WAVQ)
Vandalia: WVNL 91.7 NW, contemporary Christian

INDIANA:

Cloverdale: WSPM 89.1 NW classical,
"**Radio Mozart.**"(Indianapolis)
Crothersville: WOJC 89.9 NW
Huntington: WEXI 102.9 FC to modern rock,
//WXTW 102.3 (Fort Wayne)
Ladoga: WJCJ 88.9 NW
Ligonier: WLEG 102.7 CC (ex WGSN)
Fort Wayne: WXKE 103.9 FC to soft rock
Nappanee: WLRX 95.7 FC to HotAC
New Albany: WFIA 94.7 CC (ex WLSY), FC to talk
SC "**Talk from the Heart**"
Oolitic: WXVW 88.9 NW

IOWA:

Wapello: KLDI 88.9 NW
Williamsburg: KEWM 88.7 NW

KANSAS

Newton: KMXW 92.3 FC to modern rock,
SC to "**92.3 the Zone**", (Wichita)

KENTUCKY:

Bardstown: WTHX 96.7 CC (ex WOKH)
Hopkinsville: WHOP 98.7 KY FC to soft AC,
SC to "**Lite 98.7**"

LOUISIANA:

Houma: KSTE 104.1 CC (ex KFXN) (New Orleans).
New Iberia: KOOJ 93.7 FC to rock "**Real Rock 93.7.**"
N. Fort Polk: KUMX 106.7 RA, FC to urban AC
SC to "**The Mix 106**".

MARYLAND:

Baltimore: WXFB 104.3 CC (ex WOCT)
Snow Hill: WQMR 101.1 NW talk (Salisbury)

MICHIGAN:

Burton: WTAC 89.7 NW contemporary Christian (Flint)

MINNESOTA:

Duluth: WNCB 89.5 QC (ex 89.3)

MISSISSIPPI:

Hattiesburg: WMXI 98.1 FC to talk radio,
SC to "**Talk Radio 98.1**"

MONTANA:

Billings: KBEX 105.1 FC to AC, SC "**The Blitz**"
Bozeman: KZMY 103.5 NW, AC "**My 103.5**"

NEW JERSEY:

Tuckerton: WBHX 99.7 FC to soft AC, SC to "**The Breeze.**"

NEW MEXICO:

Espanola: KEVR 91.1 NW
Farmersville: KXEZ 92.1 FC to leased time ethnic
(Indian "Desi Zone") (Plano TX)
Santa Rosa: KNLK 91.9 NW

NEW YORK:

Albion: WJCA 102.1 CC (ex WBJA), religious
Patterson: WDBY 105.5 CC (ex WAXB), SC to "**Y-105.5**"

Scotia: WKRD 93.7 CC (ex WHTR),
SC "**K-Rock @ 93.7 FM**"

NORTH CAROLINA:

Wilson: WAJC 90.5 CC (ex WXJC)

NORTH DAKOTA:

Hope: KDAM 104.7 CC (ex KCHY) (Fargo)

OHIO:

Alliance: WZKL 92.5 FC to top 40, SC to "**Q-92**"
Xenia: WZLR 95.3 FC classic rock, SC "**95.3-ZLR**"

OREGON:

Coos Bay: KJCH 90.9 NW
Corvallis: KFLY 101.5 RA modern rock.
Klamath Falls: KKLJ 88.9 NW
Salem KAJC 90.1 NW
The Dalles: KMSW 92.7 NW classic rock

PENNSYLVANIA:

Chambersburg: WZZQ 88.3 NW

SOUTH CAROLINA:

Bluffton: WWVV 106.9 Bluffton FC to AC,
SC to "**The Wave 106.9**" (Savannah GA)
Florence: WWFN 100.1 FC to top 40, SC to "**Z-100**"
Florence: WFSF 100.5 FC //WHLZ 92.5, FC to C&W
SC to "**Wheelz**"

SOUTH DAKOTA:

Rapid City: KQRQ 92.3 NW Classic Hits, "**Q-92.3**"

TENNESSEE:

Middleton: WYDL 100.7 CC (ex WTCK)
Marysville: WTXM 95.7 SC "**Oldies 95.7 & 106.7**"
(Knoxville)
Norris: WRMX 106.7 FC to oldies,
SC "**Oldies 95.7 & 106.7**" (Knoxville)

TEXAS:

Amarillo: KXGL 100.9 CC (ex KJAZ), FC to classic rock,
SC to "**The Eagle.**"

Baird: KNCE 95.1, CC (ex KAGT) FC to soft AC
SC "**K-nice**" (Abilene)

Bay City: KXGJ 101.7, FC to Spanish tropical,
SC to "**Sonido**" , // KEYH 850 Houston

Brownfield: KJTV 104.3 CC (ex KLZK),
FC to news-talk of KJTV 950 (Lubbock)

Crystal Beach: KSTB 101.5 FC to classic country,
// KAYD-FM 101.7 Silsbee/Beaumont

El Campo: KIOX 96.9 ,FC to Spanish top 40,
SC to "**XO Radio**" // KQQK 107.9

El Paso: KHRO 94.7 FC to modern rock, "Hero Radio"
Farmersville: KXEZ 92.1 FC to ethnic-Hindi & English
LMA with **Asian Media Worldwide** (Dallas)
Harlingen: KBTQ 96.1 CC (ex KIWW), SC "**The Beat**",
urban hip-hop R&B

Hempstead: KEZB 105.3 FC to soft AC,
//KLTR 107.3 Caldwell/Bryan/College Station TX

Hondo KRIO 105.9 FC to C&W, SC to "**Texas Country**"
(and its 103.7 translator in San Antonio)

Jacksonville: KLJT 102.3 FC to smooth jazz (Tyler)

Mason KBEY 102.5 NW

Mineral Wells KFWR 95.9 CC (ex KYXS)

Muenster KKDL 106.7 FC to top 40 (Fort Worth/Dallas)

Plainview KLZK 97.3 CC (ex KHDY) (Lubbock)

Plainview: KRIA 103.9 CC (ex KVOP), SC "**Agria radio**"

Silsbee: KAYD 101.7 FC to classic country,
SC to "**KD-101**" (Beaumont)

Weatherford: KMQX 88.5 NW

Winters: KORQ 96.1 FC to dance (Abilene)

UTAH:

Blanding: KBDX 92.7 QC (ex 92.1), FC to classic rock,
SC "**Big Dog,**" //KDAG 96.9 Farmington NM

Salt Lake City: KISN 97.1 FC to hot AC.

VIRGINIA:

Bridgewater: WJDV 105.1 CC (ex WAMM), FC to lite
rock,

SC to "**Light Rock 105.1**"

Chincoteague: WCTG 96.5 NW

Emporia: WYTT 99.5 NW

Luray: WMXH 105.7 FC to standards (Harrisonburg)

WASHINGTON

Mount Vernon: KMWS 91.7 CC (ex KTHY)

WEST VIRGINIA:

Clarksburg: WGIE 92.7 CC (ex WCMX), FC to C&W,
//WGYE 102.7, SC to "Froggy Country"

WISCONSIN:

Dickeyville: WVRE 101.1 NW

Goodman: WMVM 91.3 CC (ex WGAZ)

Nekoosa: WMMA 93.9 CC (ex WDVM)

Port Washington: WGLB 100.1 FC to religion



NEW FOUNDLAND

St. John's: 101.1 NS, 101.1/100kw,
application for new adcon station

ONTARIO:

Belleville: application for new religious music station,
102.3/45kw

QUEBEC

La Tuque: CBF-FM-8 88.1 requests relay
103.7/11.3kw

Saguenay: CION-90.9 requests relay 106.7/11.04kw
Ville-Marie: CBC requests relay of affiliate CHLM-90.7,
89.1/15.9kw

SASKATCHEWAN:

Regina: CKCK 94.5 FC to rock, SC "**Rock-94**"

Eastern TV-DX

Matthew C. Sittel
15013 Eureux St.
Bellevue, NE 68123
mcsittel@cox.net

November, 2002

December, 2002 column deadline: Nov. 12

Eastern TV-DX is for reporters from the following states: AL, CT, DE, FL, GA, IN, KY, MA, MD, ME, MI, NC, NH, NJ, NY, OH, PA, RI, SC, TN, VA, VT and WV, plus Washington, DC. Also for reporters from the following Canadian provinces: NB, NF, NS, ON, PEI and PQ. Overseas reports welcome!

Roy Barstow, P.O. Box 2488, Teaticket, MA 02536

9/1 tr

2100 WIVT-34 NY Binghamton
WSPX-56 NY Syracuse
WENY-36 NY Elmira
WSKG-46 NY Binghamton
WETM-18 NY Elmira
WICZ-40 NY Binghamton
2150 WIXT-9 NY Syracuse
WSYT-68 NY Syracuse
WCNY-24 NY Syracuse
W51CV-51 NY Utica
2315 WFXV-33 NY Utica
W53AM-53 NY Utica
W15BR-15 NY Oneida
WPXJ-51 NY Batavia

9/7 tr

0810 CBHT3-11 NS Yarmouth
CBAT2-7 NB Moncton
CIHF-8 NS Halifax
CIHF6-9 NS Bridgewater
0830 down coast picking up
0845 WYDO-14 NC Greenville
WUNP-36 NC Roanoke Rapids
WUNJ-39 NC Wilmington
Baltimore in solid
2000 WBRA-15 VA Roanoke
WVIR-29 VA Charlottesville
2010 WXLV-45 NC Winston-Salem
WHTJ-41 VA Charlottesville
WADALP-55 VA Charlottesville
WFXR-27 VA Roanoke
2330 WEPX-38 NC Greenville

9/8 tr

Things always seem to heat up after midnight
0015 WUNF-33 NC Asheville
0145 WRAY-30 NC Wilson
0245 WGPX-16 NC Burlington
NS still in, but down coast popping
WJZY-46 NC Belmont
0320 WLXI-61 NC Greensboro, TCT
0325 WTWB-20 NC Lexington, NC #60
WVPT-51 VA Staunton
0400 WWWB-55 SC Rock Hill
Charlotte's Own WB
0430 24 and 52 CBC NS running MTV2

0515 WTVI-42 NC Charlotte
1100 WATM-23 PA Altoona
1130 WNCT-9 NC Greenville
WJZY-46 and WWWB-55
still in after noon

9/9 tr

0030 WRLH-35 VA Richmond in strong
0130 W39CO-39 VA Richmond
0245 W48BI-48 VA Richmond, Shop NBC
WPXR-38 VA Roanoke
WXLV-45 NC Winston-Salem
WWBT-12 VA Richmond
0345 WJZY-46 NC Belmont
0830 WRAY-30 NC Wilson
WPXU-35 NC Jacksonville
WLFL-22 NC Raleigh
0930 W63CW-63 NC Goldsboro
WRPX-47 NC Rocky Mount
WXLV-45 and WJZY-46
still in at 11AM, rare

9/10 tr

0800 WBRA-15 VA Roanoke
WFXR-27 VA Roanoke
WMDO-30 DC Washington

9/20 tr

0900 CBCT-13 PEI Charlottetown
2030 CBHFT2-7 NS Mulgrave
CKLT-9 NB Saint John

local quality

CBHFT-13 NS Halifax
CBHFT1-3 NS Yarmouth
CJCH-5 NS Halifax
2100 CJCH6-6 NS West Caledonia
CBHFT5-46 NS Middleton
CIHF10-45 NS Yarmouth
CBHT7-52 NS Digby
CBHT6-8 NS Middleton
CBHT11-12 NS Mulgrave
CBHT3-11 NS Yarmouth
2230 CJCB2-9 NS Antigonish

9/25 tr

0725 WNCN-17 NC Goldsboro
WYDO-14 NC Greenville
WUNJ-39 NC Wilmington
0730 WPDE-15 SC Florence, had to leave

Nice DX in September. First opening to NY and then an excellent prolonged 3 day opening to inland NC. Many stations during Sept. 7-8-9 some 3 and 4 deep. Have been picking up on 39z PBS NJ toward eastern VA. Must be a new outlet in Wildwood-Atlantic City area.

Doug Smith, W9WI, Pleasant View, TN
http://www.w9wi.com

w9wi@w9wi.com

<u>9/5 tr</u>					<u>9/6 tr</u>					
0744	K62DA-62 MO	Malden, // WREG-3	160		0730	20/59	IN	Indianapolis	213	
	K45CA-45 MO	Cape Girardeau				42/63	IN	Bloomington	245	
0749	WSTR-64 OH	Cincinnati	238		WSTR-64	OH		Cincinnati	238	
	WUWTCA-26TN	Union City	108		0834	WRTVDT-25	IN	Indianapolis	246	
0800	WRSP-55 IL	Springfield	267		0848	WTHRDT-46	IN	Indianapolis	<1>248	
	WICS-20 IL	Springfield	267		WXINDT-45t	IN		Indianapolis		
	WCPX-38t IL	Chicago, // WNPX-28			0900	unID-33		"America's Store"		
	WPXE-55t WI	Kenosha, // WNPX-28			WJYS-62	IN		Hammond	357	
	WTVP-47t IL	Peoria, Barney			WXFT-60	IL		Aurora	379	
		(That checks, per TV Guide-mcs)			20/55	IL		Springfield	267	
0828	WJYS-62 IN	Hammond	357		0915	34t/46t	IN	South Bend	360	
		Huge ID: "WJYS SIXTY-TWO"			WTVP-47t	IL		Peoria		
0832	WCPO-9 OH	Cincinnati	238		<u>10/6 tr</u>					
0900	WMAW-14 MS	Meridian, MSETV ID	315		0909	46/69	GA	Atlanta	237	
0915	WGBO-66 IL	Joliet	380					Birmingham	10/13/33/40/42/44/60/68	200
		Promos for "Cine de las Estrellas" and "Firefox"			WXIN-59	IN		Indianapolis	246	
WKDH-45	MS	Houston	212		WSBN-47	VA		Norton	249	
0928	WYCC-20 IL	Chicago	380		0930	WATC-57t	GA	Atlanta	230	
		Promo for City Colleges of Chicago			0932	WNEH-38t	SC	Greenwood	<2>	
0929	WBXPCA-44	TN	Memphis, MTV2186							

Notes:

1. Text IDs <WTHR-HD> and <SKYTRAK>. New DTV DX record, and DTV logging #16.
2. OUCH! I learned my lesson on this one. Had a PBS on channel 38, assumed it was Columbus, Georgia and went on my way. Nope, Columbus is NBC. Only two real possibilities are this and WKMR, Morehead, KY. South Carolina would have been a new state. The CCI on WZDX-54 was probably also from SC.

William McGuire, 2412 59th Place, Cheverly, MD 20785-2918

Equipment: Admiral 13" color TV.

<u>8/22 tr</u>					<u>9/9 tr</u>				
2040	WMDT-47	MD	Salisbury, ABC		0006	WBOC-16	MD	Salisbury, CBS	
<u>8/25 tr</u>					0008	WMGM-40	NJ	Wildwood, NBC	
2300	WVIR-29	VA	Charlottesville,		<u>9/10 tr</u>				
	ID				2246	WNJS-23	NJ	Camden, PBS	
<u>9/8 tr</u>					2250	WCAU-10	PA	Philadelphia, NBC 10	
2100	WGAL-8	PA	Lancaster, ID		2255	WRIC-8	VA	Petersburg, ABC	
2130	WWBT-12	VA	Richmond, NBC		2300	KYW-3	PA	Philadelphia, nx, ID	
promo					2318	WCVW-57	VA	Richmond, PBS	
2140	WTVR-6	VA	Richmond,						
CBS									

Bob Seybold, 1865 W. Main Rd., Silver Creek, NY 14136

There was some good tropes here lately so I decided to report it while it is fresh in my mind. First off, Ft. Wayne U's were in 4 days in a row from Sept. 13-16. Channels 15, 21, 33, 39 and 55 were in. South Bend 16, 22, 34, 46 were in occasionally on 14, 15 and 16 of September. Angola 63 was in all days and Lafayette 18 was in one on Sept. 14. Also Indy 23 on that data. Low power Toledo 34 (shopping) was on 3 occasions in period of 13th to 18th. Other Toledo U's and V's were extremely strong causing lots of problems on local cable systems, causing some channels to be unusable at times. Detroit U's in all days sometimes very strong. On 18th UHF channels were very active with Cadillac 33 in good, Burlington, VT 33 in good also signs of Vermont 41 and 22. Also Plattsburgh 57 briefly. Canadians to north, northeast, southwest in on channels 15, 16, 18(2), 19(2), 20, 21, 22 (2), 24, 25, 27, 28, 29, 30, 31, 32(2), 34(2), 35(Montreal), 36, 38, 40, 41, 42(2), 44(3), 45, 47, 48, 51(2), 53(2), 54, 55(3), 56, 57, 59, 61, 64, 67(2), 68, 69. There is new 44 (CFMT) Omni network but not sure of its location but definitely to my north. Also in during period from 13th to 18th was Battle Creek 41 and 43, Saginaw 46, Muskegon 54, Battle Axe 35 (oops, I think he meant Bad... but I like the name of the mistake so I left it in!-mcs), Lima U's 27, 35, 44, Pittsburgh 53, also TCT station on 18th out of Michigan, Green Bay was in on 18th. There was a number of unIDs as channels were heavily

crowded. Odd part of some openings was absence of certain stations. In opening to east Syracuse and Rochester were barely in, Watertown very weak. No Utica at all. Channels 33 and 39 not usable at times as Buffalo 2 and 4 are using channels at times (for HDTV-mcs). Very little tropo on 19th and 20th.

Some late DX – Sept. 21 tropo – Lima, Bowling Green U's, 27, 35 and 44. Toledo strong, Detroit U's strong, Saginaw 46 (new), Flint V's and U's, lots of Canadians to north, Ft. Wayne weak.

Sept. 26-27 – opening to St. Louis, Champaign, Springfield, Decatur, Ft. Wayne, Dayton and others. Erratic signals peaking strong to nothing, -possible relating to Tropical Storm Isidore.

Good DX to all, Bob Seybold.

That's all for now... seen any good DX? Send in a report and share it with all of WTFDA! 73s Matt.

As Digital Radio Stumbles, New Products Fill the Gap

NY Times 9/30/2002
By BARNABY J. FEDER

Sensing an opportunity in the radio industry's slowness to adopt digital broadcasting, a number of chip makers and radio manufacturers have introduced products that use software in receivers to sharply improve the quality and reach of broadcasts transmitted in the analog format.

The latest contributor to the trend, Motorola, plans tonight in Tokyo to announce the most powerful set of microchips yet for such receivers, which convert standard analog AM and FM broadcast signals into a digital format. So far, the radio broadcasting industry in this country has not agreed upon uniform digital technical standards, which has left over-the-air digital radio service to subscription-fee satellite services.

Analog radio signals use electronic waves analogous to sound waves. Digital signals use electronic pulses that can be translated into the precise 1's and 0's of computer code.

When radio signals are in digital form, they can be filtered, cleaned up and manipulated by software. The result is better sound fidelity and the opportunity to add features like deeper bass tones. Software-driven receivers can compensate for the complex interference patterns caused when signals are bouncing off of buildings or hills, and they can tune into channels more accurately.

Some software can also reconstruct extremely weak signals, allowing listeners to travel farther from their favorite radio stations without losing touch. Motorola's design, which can combine information from more than one antenna, taking advantage of the trend to putting more than one antenna on a car, is said to be a major improvement.

"It's going to give measurably better performance, especially in the AM band," said Will Strauss, president of Forward Concepts, a market research firm in Tempe, Ariz.

Motorola plans to release details about the new chip sets, which are based on the Symphony line of audio processors it introduced in 2000, during its Tokyo presentation. Motorola said that the first products incorporating the new Symphony chip sets would be radios going on sale late next year as replacements for standard car radios. Motorola also said that it expected some car manufacturers to begin supplying Symphony-equipped radios in new cars in 2004.

Motorola said its new chips would allow the elimination of so many components in receivers that radios going on sale next year should cost the same or less than today's premium analog systems.

One of the first adopters is expected to be Hyundai Autonet, which sells after-market radios and original equipment for both Hyundai and Kia.

Motorola's announcement comes just one week after Blaupunkt, a German radio maker that is part of Robert Bosch, announced the availability of Digiceiver, an analog-to-digital conversion product that is based on another Motorola chip and offers some of the same benefits to listeners. Earlier this year, Philips Semiconductors, a unit of Royal Philips Electronics of the Netherlands, introduced a new line of digital signal processors aimed at extending Philips's position as the leading supplier of microchips to the car entertainment market — a market that is one of the few segments of automotive electronics where Motorola is not the leading chip supplier.

(Continued on page 10)

Western TV DX

VICTOR FRANK
12450 SKYLINE BLVD.
WOODSIDE, CA 94062-4554
frank@horizon.sri.com



Morris Sorenson, Winnipeg, MB, CANADA

Equipment: RCA B&W portable with 1950s era Channel Master indoor antenna.

July 2002 CDT
 14 Es 1330 KSNC 2 KS Great Bend 801
 2000 KACV 2 TX Amarillo 1042
 15 tr 0957 KGFE 2 ND Grand Forks 137
 0958 CKX 5 MB Brandon 126
 1000 KQSD 11 SD Lowry 344
 16 tr 0951 CKXTV3-11 MB McCreary

William Eckberg, 1032 Sterling Rd., Dixon, IL 61021

September 2002 CDT, all tropo
 5 0430 WOAC 67 OH 417
 6 0305 WOAC 67 OH 417
 16 0400 KWCV 33 KS 498
 17 0445 WOAC 67 OH 417
 27 0700 KWBM 31 AR 424
 30 0420 KXAM 14 TX sat. KXAN-36 914
 0545 WOAC 67 OH 417
 0710 W36AO 68 IL Palatine 70

Isidore was a nonevent here dx-wise. September 26 was promising. The AM of the 27th saw 400-mile tropo to Harrison AR. A front extended from central Ontario to OK and over my QTH. Isidore was over Nashville causing rain over the Ohio valley. Local enhancement on September 30 was in all directions to 400 miles, except to the NW. Llano-14 at 914 miles was in briefly. Llano-14 is north of San Antonio and put me in shock. Llano-14 is a satellite of Austin-36. A photo was taken. Stagnant air covered much of the country. Fronts were to the far north and west. Sterling IL-48 translator had Milwaukee-24 instead of Moline 24. Darlington-69 is still on. The WI 650 watt translator is rarely seen at 76 miles.

Jim Pizzi, 5937 Coleman St., North Las Vegas, NV 89031

December 16, 2001 Es
 1503 KJRH 2 OK Tulsa Wx,Nx
 1510 KOETt 3 0 to KVBC
 1525 KFOR 4 OK Oklahoma City WX, ID
 1535 KOCOt 5 OK " " 10 kHz to KVVU
 1546 KOTV 6 OK Tulsa Promos, ID

January 3, 2002 Es
 1750 unIDs 2,4 Mexico, SSE

January 5, 2002 Es
 1630 unID 2 50s, 60s movie
 1645 unID 4 Sci-Fi movie
 1758 XHQ 2 SIN, Guamuchil, ID

January 17, 2002 Es

1730 unID 2 Mexico
May 23, 2002 Es
 0845 unIDs 2,4 Mexico
 1006 KGAN 2 IA Cedar Rapids
 1024 unID 2 PBS, Mr.Rogers
 1738 KBEJ 2 TX Fred.
 1857 KETZ 2 AR Little Rock
 1858 KARK 4 AR Little Rock
May 25, 2002 Es
 1027 unIDs 2,4 Mexico
 1055 unID 4 Mexico (Azteca XHDF-4 in VBI)
 SS "Top Cat" cartoon
May 31, 2002 Es
 0856 KUSD 2 SD Vermillion SD PTV
 0901 KJRH 2 OK Tulsa Local Nx
 0923 unID 4 Manitoba-Rel. It's a now day
 0928 KPRY 4 SD Pierre KSFY bug
 0958 KSRE 6 ND Minot Praire Public TV
 1021 CKYB 4 MB Brandon CKY News
 1022 unID 4 KXJB/WCCO? CBS
 2101 KBCI 2 ID Boise Idaho 2 News
 2135 CKAI-TV-1 2 AB Lethbridge "A ch movi
 2159 CICT 2 AB Calgary Promos X files
 2340 KBCI/KREMt 2 CBS
 2350 KOTIt 2 NBC
June 1, 2002 Es
 0042 unID 2 "South Park" cartoon
 1159 4 Canada NNE "White Fang"
 1523 CFCN 4 AB Calgary
 1525 KRTV/CFRNt 3 NNE 0 to KVBC-3
 1803 KWSE 4 ND Williston Prairie PTV
 1812 KXLE 4 MT Butte Child. Mirical Net
 1830 unID 3 Canada N CBC logo flt under
 1833 KHQ 6 WA Spokane Q6 bug lower rt
 1834 unID 2 Canada CBC\
 1905 unID 6 North, Andromeda
 1936 unID 6 CBC
 2148 KPRY 4 "KSFY southland"
 2358 CFCN 4 AB Calgary Nx promo
June 2, 2002 Es
 0000 CBXTt 5 AB Edmonton 0 to KVVU-5
 0000 CFRNt 3 AB Edmonton 0 to KVBC-3
June 7, 2002 Es
 2040-2138 unIDs 2,4 BC, WA-North
 2120 unIDs 2,4,6 Mexico
 2351 CBUT 2 BC Vancouver CBC movie
 2355 KOMO 4 WA Seattle Nightline >0130
July 14, 2002 Es
 0927 KETS 2 AR Little Rock AETN
 0928 KARKt 4 AR Little Rock Wx promo
 0958 KJRH 2 SD Vermillion SD PTV
July 28, 2002 Es
 1045 unIDs 2,4 Mexico SS
August 8, 2002 Es
 1847 KPRC 2 TX Houston
 1916 KDFW 4 TX Dallas Fox 4
 1928 KBEJ 2 TX Fredericksberg UPN
 w/KENS-5 ID

2025 (MS) KSNC2 KS Great Bend KSN Stock
Mkt Report
August 10, 2002 Es
0830-0930 unID 2 East

Very weak Es season here. Waiting for KVBC to sign on ch 2 form HDTV—that will make it even worse next year.

Matthew C. Sittel, 15013 Eureux Circle, Bellevue, NE 68123 mcsittel@cox.net
<http://members.cox.net/mcsittel/beltdvx.htm>

Equipment: Winegard PR-9032 UHF antenna at 35', Winegard AP-4700 UHF pre-amp., Winegard PR-5030 VHF antenna at 32', MFC traps for channels 3, 6, 7 and 26, Hauppauge WinTV-D PCI card for HDTV.

7/14 Es

1013 unID-2 "Azteca Trece" 904
1027 WDIQ-2 AL Dozier 904
1059 WESH-2 FL Daytona Beach 1176
1059 WTVY-4 AL Dothan 846
1107 WUFT-5 FL Gainesville 1094
1949 CKAL1-2 AB Lethbridge 1014
1950 CKAL-5 AB Calgary 1111
2122 KTVQ-2 MT Billings, Q2 707
2130 unID-4 CBS

7/15 tr

1700 11/23/29 MN Minneapolis 309
1700 KSTP-5 MN St. Paul 309
2015 20/55 WI Wausau 411
2035 WHWC-28 WI Menomonie 342
2050 WKOW-27 WI Madison 358
2147 WYOW-34 WI Eagle River 466
2208 WHLA-31 WI La Crosse 299
2223 WDIO-10 MN Duluth 437

7/17 Es, tr

1804 WBAY-2 WI Green Bay 463
Not sure what propagation mode the above was—clearly saw 2 logo
1805 KSTP-5 MN St. Paul 309
1806 CIII2-2 ON Bancroft 982
2300 CICT-2 AB Calgary 1113

7/20 tr

0930 KXLT-47 MN Rochester 272
0930 10/21/27 MO Springfield 312

7/23 tr

2300 KMWB-23 MN Minneapolis 309
2300 KDSD-16 SD Aberdeen 317

7/25 tr

2223 WFTC-29 MN Minneapolis 309
2223 KXLT-47 MN Rochester 272

7/26 tr

0630 WHLA-31 WI La Crosse 299
0630 WHWC-28 WI Menomonie 342
0640 WFXS-55 WI Wittenberg 427
0648 KTTC-10 MN Rochester 248
0650 WXOW-19 WI La Crosse 299
0650 WFTC-29 MN Minneapolis 309
0654 KGAN-2 IA Cedar Rapids 224

8/7 tr

2100 WBUI-23 IL Decatur 379
2100 WRSP-55 IL Springfield 352
2104 WEEK-25 IL Peoria 335
2105 KDNL-30 MO St. Louis 344
2107 KGAN-2 IA Cedar Rapids 224
2107 38/60/66 IL Chicago 433
2107 WYIN-56 IN Gary 444

2108 WSNS-44 IL Chicago 433
2108 KXLT-47 MN Rochester 272
2109 WFTC-29 MN Minneapolis 309
2110 WWHO-53 OH Chillicothe 683
2110 WKEF-22 OH Dayton 621
2110 WCFN-49 IL Springfield, UPN 349
2113 40/59 IN Indianapolis 518
2123 31/47 IL Peoria 334
2139 WKOW-27 WI Madison 358
2140 WYOW-34 WI Eagle River 466
2200 K56HW-56 MN Rochester, TBN 274
2204 KTTC-10 MN Rochester 248
2205 WEUX-48 WI Chippewa Falls 343
2207 WFXS-55 WI Wittenberg 427
2300 WPNE-38 WI Green Bay 463
2300 WHRM-20 WI Wausau 411

8/8 tr

0640 Minneapolis-St. Paul stations
5/9/11/17/23/29/53/58/62/67/69
0658 KPXM-41 MN St. Cloud 317
0700 WHWC-28 WI Menomonie 342
0706 KEYC-12 MN Mankato 211
0707 K30FN-30 MN St. James 219
0754 WXOW-19 WI La Crosse 299
2100 WYOW-34 WI Eagle River 466

2110 20/55 WI Wausau 411
2115 KXLT-47 MN Rochester 272
2115 WHWC-28 WI Menomonie 342
2118 27/47 WI Madison 355
2211 WCCO-4 MN Minneapolis 309
2212 WKBT-8 WI La Crosse 312

8/14 tr

0645 WXOW-19 WI La Crosse 299
0645 WFTC-29 MN Minneapolis 309
0659 WEUX-48 WI Chippewa Falls 343
0700 KXLT-47 MN Rochester 272
0700 WHWC-28 WI Menomonie 342
0730 WYOW-34 WI Eagle River 466
0730 58/62/67 MN Minneapolis 300
0736 20/55 WI Wausau 411
0741 45/53 MN Minneapolis 300
0801 25/31 WI La Crosse 299

8/14 Es

2126 unID-2 CBC

8/15 tr

0658 19/25 WI La Crosse 299
0658 KXLT-47 MN Rochester 272
0700 KDNL-30 MO St. Louis 344
0702 KOZK-21 MO Springfield 312
0703 KSNF-16 MO Joplin 287

9/1 Es

0900 unID-2 ABC to SSW. KMID?

9/2 tr

2000 KXLT-47 MN Rochester 272
2151 KFXB-40 IA Dubuque 291

9/3 tr

2213 KDNL-30 MO St. Louis 344

9/7 tr

0755 WVCY-30 WI Milwaukee 434
0815 19/25/31 WI La Crosse 299
0830 25/31 IL Peoria 335
0830 WQPT-24 IL Moline 289
0842 WMEC-22 IL Macomb 278
0850 WTVP-47 IL Peoria 334
0851 WDJT-58 WI Milwaukee 432
0855 K62FU-62 IA Muscatine, TBN 253
0859 K61HD-61 IA Davenport, TBN 258
0859 WNDU-16 IN South Bend 505
0903 WYIN-56 IN Gary 444
0903 60/62/66 IL Chicago 433

0912 WCFC-LP-51 IL Rockford, FN	367
0915 WHME-46 IN South Bend	508
0933 WIFR-23 IL Freeport	358
0934 WQAD-8 IL Moline	289
0934 WHOI-19 IL Peoria	333
0937 WCCU-27 IL Urbana	423
0938 44/50 IL Chicago	433
0948 KLJB-18 IA Davenport	289
0959 WREX-13t IL Rockford, NBC u/WHO	
<u>9/15 tr</u>	
2129 KDSD-16 SD Aberdeen	317
2131 KWCM-10 MN Appleton	282
<u>9/16 tr</u>	
0630 KDNL-30 MO St. Louis	344
0635 KWBM-31 AR Harrison	353
0640 WFTC-29 MN Minneapolis	309
0640 KXLT-47 MN Rochester	272
0642 WHWC-28 WI Menomonie	342
<u>9/19 GW</u>	
0628 <u>WOWT-DT-22</u> NE Omaha	16
<u>9/20 tr</u>	
2232 <u>KLKN-DT-31</u> NE Lincoln	74
<u>9/25 tr</u>	
1945 <u>KTIV-DT-41</u> IA Sioux City	105
1956 <u>K27??-27</u> NE Lincoln, 3ABN	43
<u>9/27 tr</u>	
2225 <u>WHO-DT-19</u> IA Des Moines	30
2244 <u>KCCI-DT-31</u> IA Des Moines	121
<u>9/28 tr</u>	
0830 10/47 MN Rochester	248
0900 KLJB-18 IA Davenport	289

A mediocre skip season followed by an unimpressive summer of tropo. Seems like I had way too much time to do chores around the house... The WinTV-D card is fun; it makes me appreciate short-distance enhancement even more, because I've found it takes a strong analog signal to indicate a chance at getting the DTV to lock in. Now if I could get some better tropo I could test the card out on some REAL DX! 73s Matt.

Steven Wiseblood, 28 LBJ Blvd, Brownsville TX 78521 location: Boca Chica Beach, Texas 2 miles from the Gulf of Mexico 1.0 miles from the Rio Grande River

Equipment: 13" Orion Color TV, Radio Shack VHF/UHF @ 15ft. Indoor 25dB Signal Amplifier.

October 11, 2002

1114 <u>KJTV</u> 34 TX Lubbock, "FOX 34" promo, ad w/mention of Lubbock	600
1134 <u>KUPB</u> 18TX Midland, "UNIVISION", ads	520
1710 <u>KTAB</u> 32 TX Abilene, Jeopardy	480
1719 <u>KXVA</u> 15 TX Abilene, FOX	480

October 12

1144 33 WVLA LA Baton Rouge, NBC promo, ads, "Discovery-KIDS"	500
1148 27 WLPB LA Baton Rouge, PBS, gardening show	500
2124 16 WAPT MS Jackson, ABC promo, 2200 local nx weather "Cold front moving in TONIGHT!",	620
2126 15 KADN LA Lafayette, FOX "TWINS vs ANGELS"	445
2127 18 KLTL LA Lake Charles, LPB, promos	400
2131 19 <u>WMAH</u> MS Biloxi, PBS	605

2137 31 <u>KLAX</u> LA Alexandria, ABC //16	480
2204 41 <u>WIIQ</u> AL Demopolis, PBS documentary	735

73's de Steve/AB5GP

Dennis Park Smith, 3605 San Remo Drive, Santa Barbara, CA 93105-2523 (805)687-7803

This report is for September 2002. Tropo DX along the southern California coast to San Diego/Tijuana on TV-FM (250mi/320km) existed as it has been since May, with the air boundary varying from high to low elevation (the lower elevation the boundary is, the better the tropo for my low elevation). Temperatures continued hot inland, until the big weather change on Sept. 27 night, with the first "winter-type" air mass and weather front. Temperatures cooled considerably all over California and the air layer boundary and temperature inversion blew away, doing away with all of the coastal tropo signals.

Aug 29 eve – Sep 1: Variably fair to good
 Sep 2 – 11: Poor (However out of town Sep 5-7)
 Sep 12 – 13: Fair
 Sep 14 – 16: Good
 Sep 17 – 20: Variably fair
 Sep 21 – 23: Good
 Sep 24 – 26: Fair
 Sep 27: Poor
 Sep 28 – 30: None (Complete weather change)
 (Also, out of town Sep 27 – 29)

I was in Wasco on those two occasions, and two new stations (new regulars) were noted there on Sept. 5. K55CN Bakersfield (TBN) is no longer on ch. 55 (KUVI-DT 55 Bakersfield is now on that channel) but is now on ch. 21 (35mi/55km). And, KQJA-LP 41 Fresno (Telefutura) is now on (apx 100mi/155km). On early Sept. 6, some slight tropo was noted to Stockton/Sacramento (215mi/345km).

I did a travel scan between September 27 and 29 during a trip from Bakersfield to Sacramento, noticing quite a number of DT signals, evident by snow. Also there have been a significant number of changes since my last trip in April of this year.

Best of DX to all, Dennis

Excerpts from Dennis' CA Travelscan

3 KCRA Sacramento	4 KVHF-LP Fresno
5 K05KM Fresno	6 KSBY SanLuisObispo
6 KVIE Sacramento	7 KGO San Francisco
8 K08MM Bakersfield	8 KSBW Salinas
9 KQED San Francisco	10 KXTV Sacramento
11 KNTV San Jose	12 K12OZ Fresno
13 K13XX Reedley	13 KOVR Stockton
14 KAZV-LP Modesto	14 KDTV San Francisco
15 K15CO Porterville	15 K15ET Merced
16 KHMM-LP Hanford	17 KGET Bakersfield
17 KMPH-LP Merced	18 KVPT Fresno
19 KUVS Modesto	21 K55CN Bakersfield
21 KFTV Hanford/Fresno	22 Religious rx Sacramento
23 KERO Bakersfield	23 KBSV Ceres
23 KEZT-CA Sacramento?	24 KSEE Fresno
25 K25FT Bakersfield	26 KMPH Visalia
27 K27FQ? Bakersfield	27 K28EM Fall River Mills
27 KEXT-CA Modesto	27 ? 3ABN rx Sacramento
28 KJKZ-LP Fresno	29 KBAK Bakersfield
29 KSPX Sacramento	30 KFSN Fresno
31 KMAX Sacramento	32 KJEO-LP Fresno
33 KJOI-LP Bakersfield	34 KSDI-LP Fresno

35 KMCF-LP Visalia	36 KBFK-LP Bakersfield	50 KFTY Santa Rosa	51 KNSO Merced
36 KICU San Jose	39 KABE-LP Bakersfield	52 KSUV-LP Bakersfield	52 K52CK Stockton
40 KTXL Sacramento	41 KQJA-LP Fresno	53 KAIL Fresno	53 K50DO/KSTV-LP Sacto
42 K42EJ Bakersfield	42 KTNC Concord	55 KMSG-LP Fresno	56 K56DZ Fresno
43 KGMC Clovis/Fresno	44 KBHK San Francisco	58 KBFX-LP Bakersfield	59 KFRE Sanger/Fresno
45 KUVI Bakersfield	47 KGPE Fresno	61 KPXF Porterville	61 K61FI Modesto
47 K47DQ? Sp-Religious	47 ?? Eng. rx Sacto	64 KFTL Stockton	65 KAZB-LP Bakersfield
48 KSTS San Jose	49 KNXT Visalia	66 KHSC-LP O'Neals/Fre	67 K67FS Bakersfield
49 K49EO Modesto	49 K49DD/KSAO-LP Sacto?	69 K69EF or FB Sacto	

CNN Moneyline 10-10-02

Digital radio OK'd

FCC votes unanimously to back ABC-Viacom venture to upgrade medium.

October 10, 2002: 10:18 AM EDT

WASHINGTON (AP) - Federal regulators gave the go-ahead Thursday for digital radio, approving a plan to modernize the medium with better sound and new features for personalized programming.

The Federal Communications Commission voted 4-0 to adopt digital radio technology created by iBiquity Digital Corp., a company backed by large broadcasters including Walt Disney Co.'s ABC and Viacom.

The commissioners enthusiastically endorsed the technology, saying it will benefit the industry and consumers. "We don't get many items where it's a win-win for everyone. There's no down side," Commissioner Kathleen Abernathy said.

Radio has changed little for decades. FCC Chairman Michael Powell said he's heartened that such a dramatic leap forward in technology is in store.

"I'm thrilled and excited to see the radio wagon train finally get to the other side," he said.

The approval allows radio stations to immediately begin broadcasting digital signals, though it probably will take a few months for the first stations to start.

Manufacturers plan to sell digital receivers for car stereos and high-end audio systems starting next year, adding about \$100 to the price of a traditional unit. It's unclear how soon digital technology will be included in portable radios.

FCC Grants 1st Analog-TV Shutdown

In a move likely to spark interest at Comcast Corp., the Federal Communications Commission has for the first time granted permission to a TV station to cease analog broadcasting prior to the formal conclusion of the transition to digital television.

The station, WWAC-53 in Atlantic City, N.J., is a full-power UHF station in the Philadelphia TV market. The independent station is owned by Lenfest Broadcasting LLC.

Under the FCC's Sept. 24 ruling, WWAC may cease analog transmission at any time and serve the public only with its digital service, which began operation in August.

After surrendering its analog license, WWAC can demand that local cable operators carry its digital signal in analog. Because WWAC's digital-transmission tower is situated 35 miles closer to inner-city Philadelphia than its analog tower, WWAC expects to see its access to Philadelphia cable subscribers to grow to 1.8 million from 575,000.

As the dominant cable operator in the Philadelphia market, Comcast would need to find a valuable analog-channel position for WWAC. The FCC said WWAC needs to supply cable operators with digital-to-analog-converter equipment for use at the headend.

WWAC general manager Bob Lund said he was in no rush to shut down the analog service because the company had to consider the impact of such a move on the 2,677 households in its market that are solely reliant upon off-the-air TV.

SOUTHERN FM DX

For DXers in AL, AZ, AR, CA, CO, DE, DC, FL, GA, HI, KS, KY, LA, MD, MS, MO, NV, NM, NC, OK, SC, TN, TX, UT, VA, WV, Cuba & Mexico

November 2002

John Zondlo
4009 Driftwood Circle
Yukon, OK 73099
sfm@fmdxweb.com
Deadline: 10th

Jim Pizzi – 5937 Coleman St. – North Las Vegas, NV 89031

12/16/01 Es

1600 KUAF 91.3 AR Fayetteville, calls
1601 unID 89.9 ?? ??, SRN nx
1603 unID 91.7 ?? ??, NPR nx
1603 unID 91.3 ?? ??, NPR nx
1609 KFAY 98.3 AR Bentonville, "Rooster Country," NW AR wx
1610 unID 98.1 ?? ??, o
1611 unID 100.1 OK ??, ment of OU athletics, OG&E (power company)
1614 unID 102.3 ?? ??, "Key 102"
1616 KMAG 99.1 AR Fort Smith, calls
1620 KOFM 103.1 OK Enid, calls
1622 KXO? 100.7 ?? ??, sounded like KXOK or KXOT, female anncr (bet it's KTFR Chelsea OK, which relays KXOJ-jz)

5/31 Es

1005 KIXX 96.1 SD Watertown, local nx, "Kix 96"
1008 KSDR 92.9 SD Watertown, local nx
1028 KQAA 94.9 SD Aberdeen, local ads
1048 CBWS 92.7 MB Brandon, t, c
1052 CKLF 94.7 MB Brandon, Canadian motors ad, MB mentioned often

6/1 Es

1839 KUBQ 98.7 OR LeGrande, "98.7 The Q," ads
1841 unID 99.3 ?? ??, 1940's mx
1843 KEYW 98.3 WA Pasco, "98.3 The Key," ads
1847 CIGV 100.7 BC Penticton, calls, "100.7 Giant FM," k
1850 CKIK 107.3 AB Calgary, "Peak 107.3," Canadian Tire ad
1854 unID 103.3 ?? ??, SS
1855 KUMA 107.7 OR Pendleton, ads, county bulletin board
1857 CHUB 105.5 AB Red Deer, k, "Big 105"
1859 CKUA-6 101.3 AB Red Deer, calls
1901 CBUF-6 96.5 BC Kamloops, FF
1901 KIXXt 96.1 SD Watertown
1903 KOZE 96.5 ID Lewiston, "Z-Rock," calls, ID
1905 unID 92.1 ?? ??, Mariners bb
1914 CKX 96.1 MB Brandon, Crimestoppers
1920 unID 101.7 ?? ??, CBC nx
1925 unID 94.7 ?? ??, FF
1928 KSPZ 92.9 CO Colorado Springs, "Oldies 92.9"

1930 CFMY 96.1 AB Medicine Hat, Gilligan's Fish and Chips spot, "My 96"

1932 CJAY 92.1 AB Calgary, "CJ-92"

1933 CKUA-1 93.7 AB Calgary, "CKUA Radio Network"
1944 WDAY 93.7 ND Fargo, "Y-94"
1946 KQDY 94.5 ND Bismarck, singing calls, wx
1948 KKXL 92.9 ND Grand Forks, "XL-93"
1955 unID 102.9 ?? ??, "Lite FM," r
2008 KTLB 105.9 IA Twin Lakes, ads mentioning Fort Dodge
2009 unID 105.9 ?? ??, "K-106"
2020 KGRA 98.9 IA Jefferson, "KG-98"
2023 KLTI 104.1 IA Ames, "Lite 104.1"
2027 KZEN 100.3 NE Central City, wx
2028 KMXD 100.3 IA Des Moines, "Mix 100.3"
2030 KHAK 98.1 IA Cedar Rapids, ID
2031 KGGO 94.9 IA Des Moines, calls, Hooters ad, wx
2034 KNLV 103.9 NE Ord, calls
2042 unID 103.7 ?? ??, "K-Star"
2045 KTLB 105.9 IA Twin Lakes, "The Beach," "Oldies 105.9"
2053 KOWZ 100.9 MN Blooming Prairie, Blooming Prairie High School grad promo
2059 CKLF 94.7 MB Brandon, wx, "Star FM"
2111 CKSB-8 99.5 MB Brandon, FF, hip-hop mx
2111 KCAD 99.1 MN Dickinson, calls
2114 CBWS 92.7 MB Brandon, "CBC Radio 2"
2115 KIXX 96.1 SD Watertown, ads mentioning Watertown
2118 KBOT 104.1 MN Pelican Rapids, "Wild Country 104.1," ads, k
2120 KMAV 105.5 ND Mayville, calls, wx, sx
2126 KOLY 99.5 SD Mobridge, local ads
2131 KZLK 106.3 SD Rapid City, ads, promos, "Power 106"
2133 unID 103.7 ?? ??, "Cousin Country," 3 state coverage promo
2139 KISD 98.7 MN Pipestone, wx, calls

6/7 Es

2040 CFOX 99.3 BC Vancouver, r, "Fox"
2041 CJJR 93.7 BC Vancouver, k
2042 CHKG 96.1 BC Vancouver, foreign language mx
2044 CBUF 97.7 BC Vancouver, FF mx
2047 KBSG 97.3 WA Tacoma, o
2048 KUOW 94.9 WA Seattle
2056 CIBH 88.5 BC Nanaimo, promo for Canadian air show for Father's Day, "Oceanside Favorites 88.5," r

Managed only a couple of productive openings this season, very quiet otherwise. 73's, Jim

Fmdxweb.com.....click it!

William McGuire – 2412 59th Pl. –
Cheverly, MD 20785-2918

DX-398

9/9 Tr

2145 WKOC 93.7 VA Chesapeake, "The Coast"
2222 WWWW 97.5 VA Charlottesville, "3WV
Rocks"

2240 WNVZ 104.5 VA Norfolk, "Z-104"
2252 WKOE 106.3 NJ Ocean City, "The New
Beat of South Jersey, the new Hot 106.3"
2336 WAFL 97.7 DE Milford, "Eagle 97.7"
2350 WXPZ 101.3 DE Milford, "Delmarva's
Christian Station, the Light FM"

9/10 Tr

0000 WMGM 103.7 NJ Atlantic City, "Classic Rock
0014 WTKU 98.3 NJ Ocean City, "Cool 98.3"
103.7, the Shark"
2049 WKJS 104.7 VA Crewe, "Kiss 104.7,"
2110 WOGL 98.1 PA Philadelphia, "Oldies 98.1"
2150 WTRG 100.7 NC Rocky Mount, "Oldies 100.7"
2155 WMXB 103.7 VA Richmond, "B-103"
2214 WAFX 106.9 VA Suffolk, "The Fox"
2302 WPST 97.5 NJ Trenton, "PST"
2335 WKXW 101.5 NJ Trenton, wx, "New Jersey
101.5"

John Tudenham – 2824 Missouri –
Joplin, MO - CDT

Onkyo T4087 tuner (modified), Radio Shack yagi
@25'

6/12 Tr

1912 KHOM 100.9 AR Salem

6/13 Es

1100 CBCL 93.5 ON London

6/18 Tr

2245 KKNZ 93.3 OK Newcastle, classic k

7/10 Tr

2100 KBQC 88.5 KS Independence, AFR

7/14 Tr

1830 KHCD 89.5 KS Salina

7/16 Tr

0013 KERX 95.3 AR Paris

8/14 Tr

1000 KSNP 97.7 KS Burlington, new freq

9/17 Tr

1100 WIBW 94.5 KS Topeka, new freq

9/18 Tr

0030 KINZ 95.3 KS Humboldt, new freq

1001 KJCK 97.5 KS Junction City, new freq

9/24 Tr

2345 KESC 103.7 OK Wilburton, soft r

9/28 Tr

0615 KNCY 103.1 NE Auburn, new freq, local
farm nx

Steven Wiseblood –

Boca Chica Beach, TX – CST

10/11 Tr (before a STRONG cold front)

1153 KBAT 93.3 TX Midland, "B-93," urban,
hip-hop, \$ 520

1159 KNFM 92.3 TX Midland, k, \$, "The station
with today's country
favorites" 520

1207 KGNC 97.9 TX Amarillo, k, \$ 700

1208 KATP 101.9 TX Amarillo, traditional k, \$,
"Classic Cat Country 101.9"

1215 KTXC 104.7 TX Lamesa, "La Ley 104.7,"
tejano, \$ 550

1223 KLZK 97.3 TX Plainview, "Stars 104.3,"
AC, \$, "Nothing but the Hits!" 630

1302 KMXJ 94.1 TX Amarillo, "Mix 94.1," AC,
\$ 700

1303 KHXS 102.7 TX Merkel, classic r, \$ 490

1310 KCRN 93.9 TX San Angelo, "93-9 KCRN,"
Christian mx, \$ 430

John Zondlo – 4009 Driftwood Circle –
Yukon, OK 73099 – all new

Akai AT-V04 tuner w/110 filters, Stereo Probe 9

10/12 Tr

0012 KKHR 106.3 TX Abilene, "Star 106.3," local
spots, Tejano 239

0033 KBTS 94.3 TX Big Spring, calls 310

0100 KPBB 88.5 TX Brownfield, "Radio
Christiana" 303

0105 KLVW 88.7 TX West Odessa, "K-Love" 370

0120 KKFC 105.5 OK Coalgate, calls, Real
Country 111

0208 KNCE 95.1 TX Baird, "K-Nice" 238

1010 KTKC 92.9 LA Springhill, rel 299

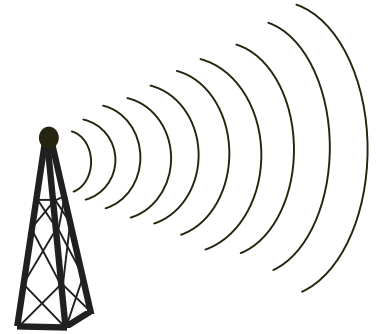
As you can see, both Steve and I got in on the
great tropics on the 12th of October. It started out
here on the evening of the 11th with most of the
Dodge City and Amarillo stations in, then went
down to the Permian Basin of Texas, over to east
Texas, finally winding up in New Orleans. When
the front coming through passed, the tropics were
over and done with. Great to get something in
October for a change!



From the
Editor

Thanks for the great support this month! So good
to see so many reporters for the November issue.
Be sure to check out the Leonids meteor shower,
which will peak around the 18th. Hopefully it'll be
the meteor storm that we've been hoping it would
be the last few years. And be sure to watch for
the unexpected Es opening....occasionally
November brings a good one.
See y'all next month!

Northern FM DX



Keith McGinnis
387 Shirley Street, Winthrop, MA 02152

longwave@attbi.com 617-846-5760 For Dxers in the following states CT, IA, ID, IL, IN, MA, ME, MI, MN, MT, ND, NE, NH, NJ, NY, OH, OR, PA, RI, SD, VT, WA, WI, WY Please submit by the 10th of each month. If possible please submit in the formats shown below.

Matthew Sittel 15013 Eureux Circle Bellevue NE 68123
<http://members.home.net/mcsittel/dx.htm> mcsittel@cox.net

Equipment: Yamaha TX-900 tuner w/modified filters Winegard PR-5030 VHF/FM antenna at 32 feet Conrad RDS unit Radio Shack signal attenuator for overload problems.

July 14 Es

1054	WRWA 88.7	Dothan	AL
	RDS calls	892	
1059	WJWV 90.9	Fort Gaines	GA
	GA Pub. R.	892	
1059	WMBV 91.9	Dixons Mills	AL
	ID	768	
1059	WHGN 91.9	Crystal River	FL
	ID	1136	
1107	WIOL 92.7	Eufaula	AL
	92.7 the River	863	
1109	WBBK 93.1	Blakely	GA
	political ad	908	
1111	WPPT 94.5	Parker	FL
	Pirate Radio	983	
1116	WPCV 97.5	Winter Haven	FL
	calls	1211	
1129	WGSG 89.5	Mayo	FL
	Live Oak church	1048	
1131	WTNT 94.9	Tallahassee	FL
	TNT	976	
1136	WOCY 106.5	Carrabelle	FL
	East Pt. ad	1000	
1138	WPOI 101.5	St. Petersburg	FL
	Point	1201	
1146	WPOZ 88.3	Union Park	FL
	PositiveHits	1203	
1151	WMMK 92.1	Destin	FL
	Okaloosa Co. ad	902	
1159	WFSW 89.1	Panama City	FL
	ID	929	

July 15 Tropo

2159	WERN 88.7	Madison	WI
	ID	355	
2221	WHWC 88.3	Menomonie	WI
	ID	342	

August 7 Tropo

2135	WMYX 99.1	Milwaukee	WI
	calls	424	
2158	KSUI 91.7	Iowa City	IA
	calls	242	
2219	KQYB 98.3	Spring Grove	MN
	KQ 98	278	
2223	KBEA 99.7	Muscatine	IA
	B100Quad C.	258	

2232	KOWZ 100.9	Blooming Prairie	MN
	calls	242	
2241	WHWC 88.3	Menomonie	WI
	Wisc.Pub.R.	342	

August 8 Tropo

0651	K215DU 90.9	Hutchinson	MN
	WNCB	274	
0704	KRRW 101.5	St. James	MN
	Crow Country	204	
0759	KUWS 91.3	Superior	WI
	ID	437	
2100	KQAL 89.5	Winona	MN
	ID	298	
2146	KZIO 104.3	Two Harbors	MN
	106.3 KZIO	449	
2151	KKCB 105.1	Duluth	MN
	B105 k	437	
2153	WHSB 89.9	Brule	WI
	RDS PI (68F8)	431	
2154	WHRM 90.9	Wausau	WI
	RDS ID "WHRM"	411	
2239	KQDS 94.9	Duluth	MN
	local ment. KQ	437	

August 15 Tropo

0759	KBJQ 88.3	Bronson	KS
	ID Amer.Fam.R.	226	

September 6 Tropo

0645	KILV 107.5	Castana	IA
	K-Love FM #75065		

September 14 GW

1720	KNCY 103.1	Auburn	NE
	move from 94.7	44	

September 16 Tropo

2107	K285 104.9	Kiron	IA
	KGBI xltrIA #10084		

September 23 Tropo

0756 WIBW 94.5 Topeka KS
94-Country 144

September 29 Tropo

September 26 Tropo

0927 KCQQ 106.5 Davenport IA
Q106.5 289

1726 KJCK 97.5 Junction City KS
Big Cat 152

A couple of milestones in my DX log were reached in September... my 750th logging and my 100th Iowa FM. There were a couple of good days from FM tropo in August... hopefully there will be more in the fall. 73s Matt.

Adam Rivers- Chicopee MA-Total : 372 stations

Equipment: Sherwood S-7250 tuner w/ 110kHz filters FM dipole antenna Conrad RDS manager

September 7 Tropo

2002 WZAD 97.3 Wurtsboro NY
2016 WAKX 102.7 Narragansett RI
rare
2327 WAYV 95.1 Atlantic City NJ

0713 WKJY 98.3 Hempstead NY
(Note 5)
0714 WPRB 103.3 Princeton NJ

September 21 Tropo

September 14 Tropo

0758 WAKX 102.7 Narragansett RI
rare
0759 WPLM 99.1 Plymouth MA
o/local WPLR
0801 WGNV 103.1 Newburgh NY
rare

2114 WBZO 103.1 Bay Shore NY
2115 WBLI 106.1 Patchogue NY
2153 WBAB 102.3 Babylon NY
2158 WMJC 94.3 Smithtown NY
2221 WDBY 105.5 Patterson NY

September 22 Tropo

September 17 Tropo

1518 WQBJ 103.5 Cobleskill NY
1518 WQBK 103.9 Renssler NY //
WQBJ
1519 WJIV 101.9 Cherry Villy NY
1520 WABK 104.3 Gardiner ME
1521 WMRV 105.7 Endicott NY

2036 WUSL 98.9 Philadelphia PA
(note 6)
2047 WNYE 91.5 New York NY
2103 WKXW 101.5 Trenton NJ
2104 WZAD 97.3 Wurtsboro NY
2106 WPRB 103.3 Princeton NJ
2119 WBEB 101.1 Philadelphia PA
(Note 7)
2207 WWOD 104.3 Hartford VT
2211 WSNI 104.5 Philadelphia PA
(Note 8)

September 18 Airplane Scatter

1526 WILI 98.3 Willimantic CT
(Note 1)
1551 WQSX 93.7 Lawrence MA
(Note 2)

September 23 Tropo

0706 WBYY 98.7 Somersworth NH
0707 WKXW 101.5 Trenton NJ
0707 WPRB 103.3 Princeton NJ

September 18 Tropo

2000 WKRZ 98.5 Wilkes-Barre PA
(Note 3)
2026 WFTN 94.1 Franklin NH
2135 WCYY 94.3 Biddeford ME
2157 WVPS 107.9 Burlington VT
2159 WEZF 92.9 Burlington VT

September 25 Tropo

2157 WBZO 103.1 Bay Shore NY
rare
2157 WHOM 94.9 Mt. Washington NH
rare
2159 WHTZ 100.3 Newark NJ

September 19 Tropo

0642 NYC all strong and in stereo
0645 WTHK 94.5 Trenton NJ

(Note 4)
0702 WEMG 104.9 Egg Harbor NJ
0704 WXXP 105.3 Calverton NY
0709 WYSP 94.1 Philadelphia PA
0711 WMMR 93.3 Philadelphia PA

September 29 Tropo

2147 WSPK 104.7 Poughkeepsie NY
2148 WTHK 94.5 Trenton NJ

September 20 Tropo

0711 WKXW 101.5 Trenton NJ

September 30 Tropo

1827 WSLC 94.9 Roanoke VA
(Note 9)
1830 WXLK 92.3 Roanoke VA
(Note 10)
1917 WAYV 95.1 Atlantic City NJ
2026 WZRI 100.3 Middletown RI
rare
2040 WEHM 96.7 Southampton NY
rare

2048 WNYU 89.1 New York NY
 2115 WADK 99.3 Block Island RI
 o/WLZX

1900 WFPG 96.9 Atlantic City NJ
 1901 WAYV 95.1 Atlantic City NJ
 1905 WZZO 95.1 Bethlehem PA
 (Note 11)
 1953 WQAR 101.3 Stillwater NY

October 1 Tropo

2015 WLZW 98.7 Utica NY
 2145 WDCD 96.7 Clifton Park NY
 2149 WKKF 102.3 Ballston Spa NY

October 5 Tropo

2324 WFAS 103.9 White Plains NY

October 3 Tropo

1934 WOKQ 97.5 Dover NH
 v.strong
 2001 WCYY 94.3 Biddeford ME
 2002 WFTN 94.1 Franklin NH
 rare
 2004 WGXL 92.3 Hanover NH
 2133 WVPS 107.9 Burlington VT
 2134 WQEZ 104.7 Kennebunkport ME
 2149 WBYY 98.7 Somersworth NH
 2158 WERZ 107.1 Portsmouth NH

October 6 Es

1934 WKGR 98.7 Fort Pierce FL
 1935 WCTH 100.3 Plantation Key FL
 1945 WYLD 98.5 New Orleans LA
 1952 WCMQ 92.3 Hialeah FL

October 11 Tropo

1801 WMME 92.3 Augusta ME
 1926 WOKO 98.9 Burlington VT

October 4 Tropo

(note 1)- B1's were going over (I live one mile from Westover AFB) and I found a null for my local stations and picked up WIL//Translator 97.5. (note 2)- Same as above nulled WZMX. (note 3)- I had never thought that I would get tropo to Pennsylvania and didn't expect it to be this station one of my favorites in that area. (note 4)- Tried for "The Hawk" for a long time. Finally received in perfect stereo. (note 5)- over local WHAI very strong. (note 6)- strong tropo to Philadelphia tried for a long time. (note 7)- Fortunately NYC was not existent which allowed me to get them. (Note 8)- "Sunny 104.5" WXLO non-existent. (Note 9)- Alerted by Mike Bugaj and got "Star Country" ID under WMAS's slop. (Note 10)- "K92"- one of my other all time favorite stations matched to what Michael in NJ was hearing ("Hero" by Chad Kroeger). (note 11)- WAYV was in perfect stereo and WRKI was non existent and WZZO came in with local mentions for about a minute.

Morris Sorensen

DXing from Riding Mountain National Park in Western Manitoba

Receiver: Grundig YB-400 with whip

August 31 GW and Tropo

0657 KYYX 97.1 Minot ND
 "The Magic City-97.1 Kicks

1901 CHSN 102.3 Estevan SK
 "Sun 102.3"
 1920 CBWZ 104.3 Fairford MB
 "CBC Radio One" // CBW-990
 1925 CFWF 104.9 Regina SK
 "The Wolf" (listed in some sources as
 CFUF)

Lenny Goldberg Ashland, OR

Sony 6450 car radio

October 4 Tropo

All around 9:30 local time

92.7 KNCU Newport OR
 U-92/country NEW!
 95.1 KSND Lincoln City OR

obliterating KMJZ, Bend
 97.3 KSHR Coquille OR
 99.5 KJMX Reedsport OR
 (tent.)Led Zeppelin, could be K.Falls
 100.7 KPPT Toledo OR
 oldies "The Boss" NEW!
 105.9 KYSJ Coos Bay OR
 local sports/smooth jazz

Mike Bugaj 69 Sherman Road, Enfield, CT 06082 Carver TX-11 and APS-13

9/19 CBAF-102.3/CBZ-101.5/CHSJ-94.1/WWOC-94.5. 9/22 CBAF-102.3 and coastal Maine. 9/24 1930 coastal tropo NC and South Jersey FMs. 10/6 **E-SKIP** to FL/LA with WTNT-94.9, WINK-96.9, WRTO-88.3 (Spanish), WLRQ-99.3 NEW!, WEZB-97.1, WLMG-101.9, WYLD-98.5, KCIL-107.5 and WOCY-106.5 FL. A couple of these are new. Totals on FM 2,396 logged.

November 2002

This month I show off some of my own recent tropo photos (see my last month's VUD DX report for equipment used):



KJTL-18 Wichita Falls, TX
490 mi Tr seen 4/28/02
@2307 CT



WTOC-11 Savannah, GA
605 mi Tr seen 5/2/02
@0108 CT



WGFL-53 High Springs, FL
515 mi Tr seen 5/3/02
@0139 CT
"tough catch w/WPAN in same
direction"



XHSAW-64 Sabinas Hidalgo, NL
610 mi Tr seen 5/3/02
@0204 CT
"tele Ritmo music videos"

WJWB-17 Jacksonville, FL
560 mi Tr seen 5/3/02
@0644 CT





SATELLITE NEWS

George W. Jensen
4604 Antanna Ave., Baltimore, MD 21206-4220
SCISATMAN@AOL.COM

The month of November has arrived and a Happy Thanksgiving is in order as well as a Happy Chanukkah, which begins at the end of the month.

We start first with **Telstar 402** at 89 West - orbited in December 1995 as a C and KuBand bird. C Band is 12 to 23 watts and the KuBand is 60 to 120 watts. The Format is Odds Even and Horizontal is Vertical. Now to the C Band services of what I refer to as the Porn Bird. 1 - X-Clips VC2, 4 - Extasy VC2, 5 - True Blue VC2, 6 - Feeds, 7 - PornPreview Channel, 8 - Fresh VC2, 10 - ABC Feeds, 12 - ABC East Feeds L, 14 - ABC West Feeds L, 18 - PBS X Channel (NO - not porn,) 21 - ABC West L, 22 - ABC East L, 23 - Feeds, 24 - Feeds. KuBand Services - 6 - Georgia Public Television - Digicipher, 12, 13 1nd 14 - Feeds, 15 - MPEG2 - 12149/3054 - MTA International and Muslim Radio, 18, 19, 20 and 27 - feeds, 23 - Louisiana Public Television -Digicipher, 640 - Georgia Public Television - Peach Star.

AMC3 - 87 West - C and KuBand 1997 - 12 years - 8.5 Cband, 16 Watts KuBand. The Format is Odds Horizontal and Evens Vertical - The C Band services are - 3 - MPEG2 - 3744H/3520 - Michigan State Government, 4 - MPEG2 - 3773V/3300 - Hispanic Television Network, 8 - WNBC Ch4 - New York VC2, 9 - WPIX Ch 11 - New York VC2, 10 - WKRN Ch2 Nashville, Tennessee VC2, 12 - WSEE Ch 35 - Erie, Pennsylvania VC2, 14 - Turner Classic Movies VC2, 15 - KTLA Ch5 - Los Angeles, California VC2, 16 - CNN International and CNN Financial News VC2, 18 - Fox Movie Channel VC2, 20 - University Network, Dr. euGene Scott, 21 - CNN Feeds, 24 - America 1. On the Ku side almost every transponder is used for feeds except 20, which is PBS Feeds, 600 - PBS X.

AMC2 - 85 West - 1996 - 15 years - C and KuBand. C is 12 to 18 watts and the Ku is 60 watts. The Format is Odds Vertical and evens Horizontal. Most transponders are used for occasional feeds except as noted . 3 - RAI Rome, Italy occasionally, 5 - NASA Feeds usually encrypted, 9 - NASA Television Service, 14 - MPEG2 3986H, 5632 - Worldnet Services. On the Ku side most transponders are used for occasional feeds except as noted - 400 American Sports Cable Network - Digicipher, 401 - American Sports Cable Network - Digicipher and 402 - American Sports Cable Network HDTV Digicipher.

AMC5 - KuBand only - December 1998 - 12 years - 55 watt transponders. Almost every transponder is MPEG2 feeds for ABC and CNN.. 600 - Unknown Digicipher Service. SBS6 - KuBand only 1990 - 10 years - 40 Watts; Almost every transponder is used for news feeds and teleconferencing except as noted, 1 - Digital; Digicipher Feed. 101 - Newborn Channel. Galaxy 6 - 74 West - C BandOnly - 24 Transponders - 10 watts - generally in reserve - has one permanent used - 24 - Cadena De Milagro - religious Hispanic channel from Puerto Rico.

Echostar 3 - KuBand only - Direct to home Compressed Digital Video. Satellite is used for Dish Network and Religious Sky Angel Services. 16 Ku Band transponders at 120 watts each. Uses an MPEG encryption.

Now at this point in the satellite arc - those satellite that are considered North and South American end. The next few columns will continue the arc Eastward with information on those satellites that can be viewed as you progress Eastward in the United States. Only those services that are beamed here will be listed. That's all for now - see you in 30- George.

WTFDA 2002

VUD Bonus Pix



Above left, waiting for dinner are Carol & John Zondlo, Joe Gragg, Dave Sinclair & Christy Zondlo.

Above right, George Greene & Scott Fybush catch up on the latest hobby news.



He never misses a convention! Texas Joe Gragg visits with Illinois member Bill Eckberg. The combined DX-pertise of these two is mind boggling!

WTFDA 2002

VUD Bonus Pix

page 2



In light of the events of 9/11, those attending the NSSL tour had to get clearance from the feds and sign in upon arrival. Here Stan Weisbeck, Tom Bryant, Tim McVey, and Ira and John Ebeling sign in as one of our tour hostesses, Beth, looks on.



At left, Danny Buntin and Jim Thomas talk DX, while at the right Jeff Lockwood tries his hand at DXing in the convention meeting room.



As members head home from the convention, we bid adieu to Yukon, Oklahoma, and our most gracious host motel, the Hampton Inn.



THE WTFDA LIST AT TOPICA.COM... Try it!

Send an email to WTFDA-subscribe@topica.com

WHAT DOES YOUR LOG LOOK LIKE?

Here's your chance to show us how you log your stations. There's nothing better than a picture to show us how you keep track of your loggings. If we can get enough entries we'll try to make this a regular feature for the VUD and the eVUD.

	Calls	Freq	City	State	Year_Head	T	E	M	A	Orig_Calls	Miles
1340	WUSN	99.50	Chicago	IL	7-11-00		E				0.00
1341	WYFI	99.70	Norfolk	VA	1974	T			A		0.00
1342	WSPI	99.70	Mount Carmel	PA	1991	T				WXMH	0.00
1343	WSHH	99.70	Pittsburgh	PA	1976	T					0.00
1344	WUGN	99.70	Midland	MI	1979	T		M	A		0.00
1345	KOGA	99.70	Ogallala	NE	1991		E				0.00
1346	WIMI	99.70	Ironwood	MI	1980		E	M	A		0.00
1347	W259AV	99.70	Marlboro	VT	1993						0.00
1348	WMC	99.70	Memphis	TN	1975		E	M			0.00
1349	WJUX	99.70	Monticello	NY	1994	T				WXTM	0.00
1350	WEOF	99.70	Dothan	AL	1975		E	M			0.00
1351	WSKO	99.70	Wakefield	RI	1995					WDGE/WFEX/WZRE	0.00
1352	WAPW	99.70	Atlanta	GA	1976		E	M		WLTE	0.00
1353	KBOB	99.70	Muscataine	IA	1977		E	M		KFMH	0.00
1354	XHPL	99.70	Ciudad Acuna	MX	1991		E				0.00
1355	WJMI	99.70	Jackson	MS	1977		E	M			0.00
1356	KMAC	99.70	Gainesville	MO	1994		E				0.00
1357	KLTH	99.70	Kansas City	MO	1977		E	M		KMBR	0.00
1358	KMJJ	99.70	Shreveport	LA	1994		E				0.00
1359	WDJX	99.70	Louisville	KY	1978	T	E	M		WCSN	0.00
1360	WPAW	99.70	Vero Beach	FL	1996		E				0.00
1361	KXLS	99.70	Enid	OK	1981		E				0.00
1362	WGEE	99.70	Sturgeon Bay	WI	1994		E				0.00
1363	WMSP	99.70	Manchester	TN	1981		F				0.00

Mike Bugaj's log:

Here is a screenshot of part of my log. I use a program called The Database. This program once was available at Staples and other places, however I haven't seen it in a while.

I'm not one for keeping super-detailed logs. I list all my logs by frequency. If a station was logged earlier than the year 2000, I just give the year alone. Running across the page you will see fields for current call heard, frequency, City, State, date first heard, mode (Es/Tr/Ms/Au), original calls heard, mileage and miscellaneous. I had high hopes of inserting the mileage for every logging. So far it hasn't happened.

All my new stations for 2002 are just listed in no particular order at the end of this log. I leave it that way until the end of the year. Doing this helps me spot mistakes like duplicate entries. At the end of the year I sort them all by frequency and they all fall into the proper order. Doing this also helps me do a running total of my logs throughout the year and lets me know quickly how many new stations I have for the year at any particular point (and this year was not so great with about 40-45 new stations heard compared to about double that in a more normal season.)

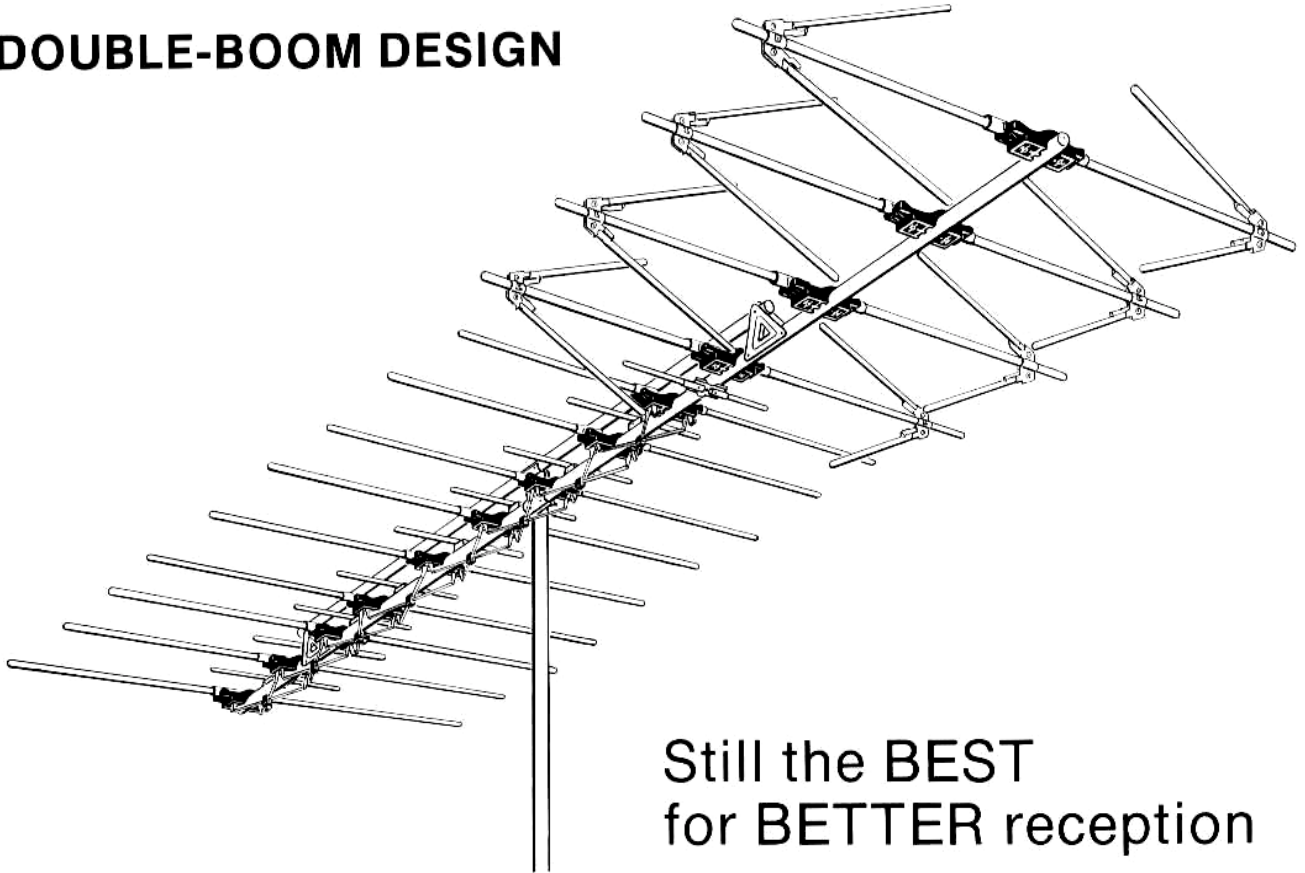
You'll also see a total at the bottom of the screen. This is at the bottom of the graphic. The number says 2286 which is where my total is at the moment.

By the way, yes I do keep paper logs. I write down anything I hear of interest on a form I designed for myself. I ran off around 50 copies of it and sheets like this make up my raw log. And that raw log contains more information than I put on my computer database. At the end of the year all those sheets go into a binder and get added to the previous years pages.

One last thing...if you use a computer for your permanent logbook, do yourself a huge favor. Use backups. Make backups in backup folders and floppy disks. Also print out the contents of your computer log once a year and keep hard copies for your protection.

Channel Master® CROSSFIRE® VHF/FM ANTENNAS

DOUBLE-BOOM DESIGN

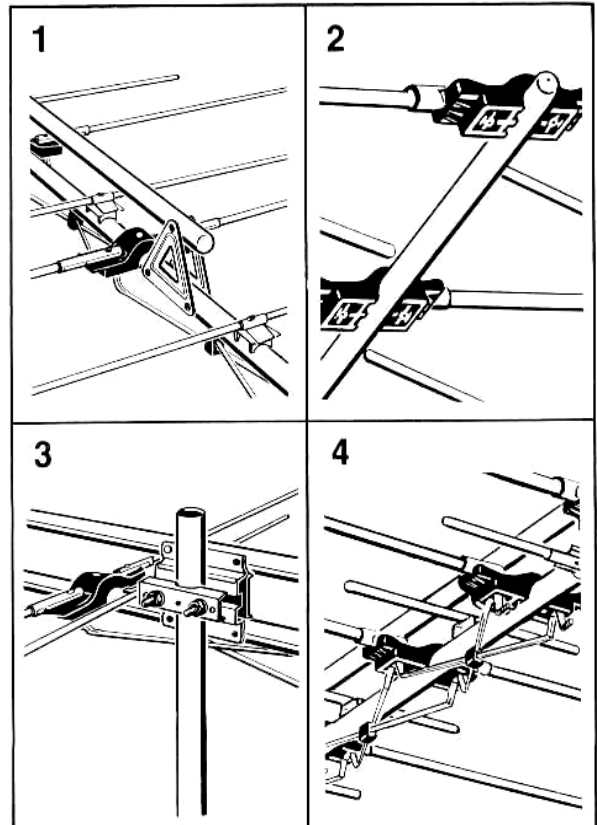


Still the BEST
for BETTER reception



Gold EPC Coating

- 1 **Double boom truss construction** on larger CROSSFIRE® keeps elements in line and prevents antenna sagging even under heavy ice loads. High-Strength Truss Boom Braces reinforce the double boom and prevent structural distortion.
- 2 **Spun boom ends** offer stability in high winds and prevent annoying wind whistle.
Reinforced element sleeves for added strength at greatest stress points on long elements.
Long lasting ABS Insulators for support even in hurricane strength winds.
- 3 **Heavy-strength bulldog nest** enables CROSSFIRE® to be quickly installed and firmly secured in place. This one-piece design eliminates "windmilling" and secures to the mast by tightening only one set of bolts.
- 4 **All aluminum phasing crossover harness** for years of excellent reception.
Insulating spacers prevent shorting and keep all elements working in perfect harmony.



THE WTFDA LIST AT TOPICA.COM... Try it!
Send an email to WTFDA-subscribe@topica.com

Sign Up/Renewal form

Name _____

Address _____ Apt # _____

City _____ State/Prov _____ Zip _____

Country _____ Interests: TV () FM () 30-50 () Weather ()

email address _____

Sign me up/renew me for: 1 year () 2 years () More ()

Yearly dues \$24 to US addresses, \$26 to Canada and Mexico

\$38 to the rest of the world (payable in U.S. Funds)

Mail your dues to: WTFDA, P.O. Box 501, Somersville, CT USA 06072

Make your checks/money orders payable to: DAVE JANOWIAK

And *thanks* for your support of the WTFDA!

Return this form with your dues or make a copy of it and return that.

Editors and Submissions

Send your reports and station info to these folks

All general club correspondence:

Mike Bugaj at WTFDA, PO Box 501, Somersville, CT 06072
mbugaj@snet.net

SATELLITE NEWS

George Jensen, 4604 Antana Ave., Baltimore, MD 20206-4220
scisatman@aol.com

TV NEWS

Doug Smith, 1385 Old Clarksville Pike, Pleasant View, TN 37146-8098
w9wi@w9wi.com

FM NEWS

Steven Wiseblood, 28 LBJ Blvd., Brownsville, TX 78521
stevenwisebl@hotmail.com

PHOTO NEWS

Jeff Kruszka, 5024 S. Braxton Ave., Baton Rouge, LA 70817
jkruszka@bellsouth.net

TV TIME TUNNEL

Tom Bryant, 849 Todd Preis Dr., Nashville, TN 37221-2607
tjbdx@comcast.net

EASTERN TV DX

Matt Sittel, 15013 Eureux Circle, Bellevue, NE 68123
mcsittel@cox.net

WESTERN TV DX

Victor Frank, 12450 Skyline Blvd., Woodside, CA 94062-4554
frank@horizon.sri.com

SOUTHERN FM DX

John Zondlo, 4889 Driftwood Cir., Yukon, OK 73099
sfm@fmdxweb.com

NORTHERN FM DX

Keith McGinnis, 387 Shirley Street, Winthrop, MA 02152
longwave@attbi.com

WTFDA://ONLINE

Saul Chernos, 57 Berkeley St., Toronto, ON M5A 2W5
schernos@sympatico.ca

VERIFICATIONS AND QSL SIGNERS

Tom Yingling, 221 Pinewood Road, Baltimore, MD 21222-2345
ka3tcc@erols.com

TV and FM STATISTICS

Fred Nordquist, 7945 Boxford Road, Clay, NY 13041
nordquis@twcny.rr.com



Back Issues!

We have a large selection of back issues in stock. Back issues are available for \$1.00 each. Check with Dave Nieman for the availability of the issues you want. Email Dave at nieman@localnet.com or write Dave at PO Box 17, Clarence, NY 14031-0017.

Tech Articles On The Internet

You'll find many tech articles from classic VUDs scanned and converted to pdf files at the WTFDA pages on the ANARC website. Check out our WTFDA website at:

<http://www.anarc.org/wtfda>

Please Remember To Make Your Renewal Checks Payable to Dave Janowiak
Checks made payable to WTFDA may be returned and your renewal may be delayed