

# ***VHF-UHF DIGEST***

**The Official Publication of the Worldwide TV-FM DX Association**

**NOVEMBER 2010**

**The Magazine for TV and FM DXers**

**New Orange Hi-Gain Antenna Preamp**



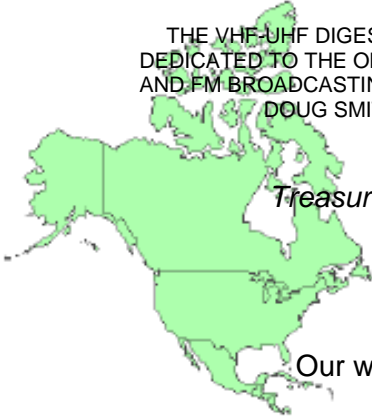
Visit Us At [www.wtfda.org](http://www.wtfda.org)

**CONVENTION 2011  
MAKE A BID!**

# THE WORLDWIDE TV-FM DX ASSOCIATION

*Serving the UHF-VHF Enthusiast*

THE VHF-UHF DIGEST IS THE OFFICIAL PUBLICATION OF THE WORLDWIDE TV-FM DX ASSOCIATION DEDICATED TO THE OBSERVATION AND STUDY OF THE PROPAGATION OF LONG DISTANCE TELEVISION AND FM BROADCASTING SIGNALS AT VHF AND UHF. WTFDA IS GOVERNED BY A BOARD OF DIRECTORS: DOUG SMITH, GREG CONIGLIO, BRUCE HALL, KEITH MCGINNIS AND MIKE BUGAJ.



*Editor and publisher:* **Mike Bugaj**

*Treasurer:* **Keith McGinnis** wtfda.org Webmaster: **Tim McVey**

wtfda.info Site Administrator: **Chris Cervantez**

*Editorial Staff:* **Jeff Kruszka, Keith McGinnis,**

**Fred Nordquist, Nick Langan, Doug Smith,**

**Peter Baskind, Bill Hale and John Zondlo,**

Our website: [www.wtfda.org](http://www.wtfda.org); Our forums: [www.wtfda.info](http://www.wtfda.info)

NOVEMBER 2010



Finally! For those of you online with an email address, we now offer a quick, convenient and secure way to join or renew your membership in the WTFDA. Just logon to Paypal and send your dues to [sales@wtfda.org](mailto:sales@wtfda.org).

Use the address above to either join the WTFDA or renew your membership in North America's only TV and DX organization.

Membership with Paper VUD: \$25/year

Membership with eVUD (.pdf): \$11/year

(subtract \$1.00 if paying by check or m/o)

Over 110 WTFDA members renew their club membership with Paypal. Why not join them?

## CONTENTS

Page Two	2
Mailbox	4
TV News...Doug Smith	5
FM News...Bill Hale	12
FCC Facilities Changes	16
Photo News...Jeff Kruszka	22
Coast to Coast TV DX...Nick Langan	25
Northern FM DX...Keith McGinnis	26
Us to Move to VHF?	32
Renewal Form	35

Our issue is a little smaller this month as the weather grows a little colder in much of the continent and DX grows a little more scarce.

### FIND US FAST!

#### WTFDA BOARD OF DIRECTORS

Mike Bugaj, use the WTFDA Mailing address listed below  
Doug Smith, 1385 Old Clarksville Pike, Pleasant View, TN 37146-8098  
Greg Coniglio, 11825 Genesee St., Alden, NY 14004  
D.Bruce Hall, 5 Stirton Ave., Brantford, ON N3T1E2 Canada  
Keith McGinnis, 18 Newbridge St., Hingham, MA 02043

[mikeb@wtfda.org](mailto:mikeb@wtfda.org)  
[dougs@wtfda.org](mailto:dougs@wtfda.org)  
[gregc@wtfda.org](mailto:gregc@wtfda.org)  
[dbruce@wtfda.org](mailto:dbruce@wtfda.org)  
[nfmdx@wtfda.org](mailto:nfmdx@wtfda.org)

\*\*\*\*\*

#### THE MAILBOX and all general club correspondence:

Mike Bugaj at WTFDA, PO Box 501, Somersville, CT 06072

[mikeb@wtfda.org](mailto:mikeb@wtfda.org)

#### TV NEWS

Doug Smith, 1389 Old Clarksville Pike, Pleasant View, TN 37146-8098

[dougs@wtfda.org](mailto:dougs@wtfda.org)

#### FM NEWS

Bill Hale, 6124 Roaring Springs Drive, N. Richland Hills, TX 76180

[fmnews@wtfda.org](mailto:fmnews@wtfda.org)

#### PHOTO NEWS

Jeff Kruszka, 1909 Lost Lake Pl., Pearland, TX 77581

[jeffk@wtfda.org](mailto:jeffk@wtfda.org)

#### EASTERN AND WESTERN TV DX

Nick Langan, 1040 Riverview Dr., Florence, NJ 08516

[nickl@wtfda.org](mailto:nickl@wtfda.org)

#### SOUTHERN FM

John Zondlo, 4009 Driftwood Cir., Yukon, OK 73099

[southernfmdx@wtfda.org](mailto:southernfmdx@wtfda.org)

#### NORTHERN FM

Keith McGinnis, 18 Newbridge St., Hingham, MA 02043

[nfmdx@wtfda.org](mailto:nfmdx@wtfda.org)

#### TV and FM STATISTICS

Fred Nordquist, 147 Travis Hill Road, Moncks Corner, SC

[stats@wtfda.org](mailto:stats@wtfda.org)

#### 6 METER/2 METER

Peter Baskind, 3225 Forest Hill-Irene Rd, Germantown, TN 38138

[ag4ki@yahoo.net](mailto:ag4ki@yahoo.net)

WEBSITE Tim McVey Webmaster <http://www.wtfda.org>

[webmaster@wtfda.org](mailto:webmaster@wtfda.org)



# The Mailbox

P.O. Box 501, Somersville, CT USA 06072  
MIKE BUGAJ MBUGAJ@SNET.NET

## WHAT'S GOING ON ?

One of our members emailed me recently and wondered if there might be something wrong with the WTFDA's tvfmdx email list because he hadn't been receiving posts from it lately. I replied that there just isn't much happening in the way of DXing at the moment. Most of North America seems to be in the "black" area of the Hepburn Tropo Maps and the mountainlake realtime maps are just showing the usual nothing.

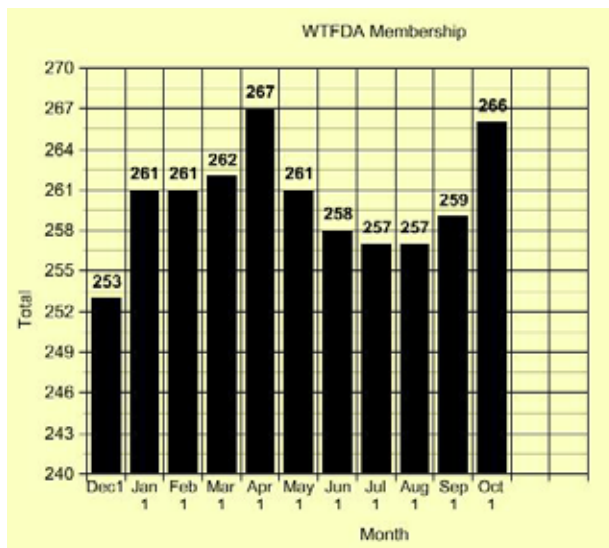
Most of my TV and FM DX gear is just sitting here gathering dust at the moment, and myself and others in the club have moved over to the AM broadcast band for our excitement. If Es or tropo returned we'd be back over on the VHF side in a minute but so far that hasn't happened. Let's just hope that we get some winter Es in the upcoming months or it's going to be a long winter for most of us.

## MEMBERS AND MUCH MORE

New members this month are Richard Antos(NY), Patrick O'Brien (IN) and John Demmitt (PA). Welcome to the WTFDA and I hope you enjoy it here!

During the period of 9/16 through 10/13 we've received renewals from Mike Lazaro (NY), Curtis Sadowski (IL), Bill Smith (MA), David Mackes (MD), Ron Cesarek (FL), Bryce Foster (TN), Vincent Ferme (ON), Greg Coniglio (NY), Chris Kadlec (MI), Bill Hale (TX), Jim Renfrew (NY), Karl Zuk (NY), Steve Branch (MI), Sid Emmons (NY), Keith Short (OH) and Jeff Kitsko (PA). Thank you all for your support of the WTFDA!

And now, back by popular demand, here's that infamous graph:



Membership as of Oct 01, 2010

A note from Ron Cesarek says "A big thanks to you and the Board of Directors for the job you guys do to keep the club running." Thanks, Ron. And I hope that the next photo you submit for the cover turns out better than the first one. The bigger in size it is, the better the results will be.

**Richard Antos** noted that he became aware of the WTFDA from reading the FM Atlas. Thanks, Bruce!

**Patrick O'Brien** lives in Pekin, IL and uses a Yaesu FT857 and an Eton for DX equipment. He's also a member of the IRCA, Longwave America and the NRC. And I particularly like his email address.

**David Mackes** checks in writes "First I want to thank you and all the other volunteers for their work in making the VUD possible each month. It is truly appreciated.

I read the stagger stacking article on the website and it mentions Bob Cooper's Tech Notes series and an article on stagger stacking in the August 19756 VUD. I'd like to know if either of them are available as a reprint/copies and if so, what is the price?"

What we are missing at the wtfda.org archives is the set of 1970s VUDs and the only way they will get up on the website is if someone (not me) scans them and sends the set to me on a CD for uploading. I know there are a few complete sets from the 70s floating out there. But after scanning the 80s and 90s VUDs, I am fini with that. Now if somebody could scan the 8/76 VUD and send it to me on an email, I could put it on wtfda.org for downloading. That's an option.

People have also asked about the 60s old memeographed VUDs and whether they will ever be archived. Unfortunately, the quality of those is so bad they probably would have to be completely re-typed and that is not an option. The quality of those was never that great even when they were new.

## MIDWEST DXERS FALL GTG

It's that time of the year again! There are country fairs and DX Get-Togethers. And the 18th annual fall Midwest DX GTG will be held this year at Branson MO from Nov 5-7 starting around 2pm Friday Nov 5<sup>th</sup>. The street address and phone number are corrected.

LOCATION  
SUPER 8 MOTEL  
2490 GREENMOUNTAIN RD  
BRANSON MO  
PHONE 417 334 8880

**Richard Gray** (LA) is building a Finco 400 TV antenna. Richard writes this in his first email to me: "Just a quick note on the progress. It's half done! It is a Finco 200-A right now. This weekend I'm going to finish the other half.

It's VHF performance so far is better than my VIP-307 in New Orleans and far better than the VU-937SR with P8Z add on in Mississippi. UHF is nearly the equivalent of the Channel Master 4251 Parabolic. As I mentioned earlier, it's BIG! When done it'll be twice the size.

The picture is from my place in Mississippi where it is being built. Hopefully it can make a good story for November or December. Will keep you informed!"

So now it's done and Richard writes "The Finco 400-A clone is up and running. It's huge! Right now it is in Bay Saint Louis, Mississippi, on the roof of my camp along with a Channel Master 4251 parabolic.

It's physically challenging to move as it is so big and awkward! It's eight feet across and 7 1/2 feet high. It leaves little mast available when installed in an Alliance 110 rotor.



I installed it after finishing it Saturday and was very surprised at its performance. It easily does the 100 mile UHF stations but the real surprise was WALA Mobile, Channel 9 RF/10.1 remapped. My VU937SR with the P8Z plug in shows no signal from this station about 90% of the time and about 10% on a good day. The Finco gets this station at over 50%! I'm about 100 miles from WALA.

Pensacola is about 200 miles and the stations come in fine. WEAR is a good test and the Finco makes it a reliable performer now. Aiming West, KLFY, Acadiana works fine as well as WBRZ, Baton Rouge! WKFK, a low power digital from Pascagoula, Mississippi is now a very reliable watcher.

As the picture shows, the CM4251 is on the roof also. **The Finco equals its UHF performance.**

It's easy to see why this antenna was discontinued.

It must have been a nightmare to get it up on a tower. In windy areas it probably was easily damaged. One of the patents granted to Louis Finneburgh was on making the antenna collapsible for transportation. The mechanical construction was incredibly complex. I reinforced a number of weak spots to keep it from twisting. It still needs to be painted (next weekend). I guess stacking two of these is not feasible. Also, with television stations becoming more in number and more powerful, the smaller antennas probably worked good enough to satisfy most watchers.

Also, it appears counterfeiting was another problem Finco faced on this antenna. I have seen a number of 1950's Magazine ads selling one of these type antennas but no mention of Finco or the manufacturer.

I didn't have access to the machine shop (thanks BP) as they were working on equipment for the spill. I had to improvise a lot, but it has been well worth the effort.

Once the machine shop gets caught up, I may be able to make a stronger one. If not, I'll make another just like this one for my place in New Orleans. The neighbors get a kick out of the CM4251 atop a VIP-307 Wade right now, so a Finco on the roof won't surprise them (too much). DXing more now than ever! - Richard Gray



The Finco 400



# TV News

Douglas E. Smith  
 1389 Old Clarksville Pike  
 Pleasant View, TN  
 37146-8098  
[w9wi@w9wi.com](mailto:w9wi@w9wi.com)  
<http://www.w9wi.com>

## November 2010

### Abbreviations:

AF	Applied For (a new station)	NW	New station on the air
Aux	Auxiliary (backup) transmitter	PA	Proposed Amendment
CC	Callsign change	PC	Power (and/or tower height) change on the air
CL	City-of-license change	PG	Power change granted
DC	Converted to DTV	PR	Power change requested
DCC	Digital Companion Channel	RA	Returns to the air
NS DCC	Granted flash-cut to DTV	QC	Channel (frequency) change on the air
DE	License/permit deleted	QG	Channel change granted
DR	Requests flash-cut to DTV	QR	Channel change requested
FC	Programming (format) change	RE	Reinstated (previously-dismissed app.)
FTP	Failure to Prosecute	ROA	Request of Applicant
GA	Granted amendment (to table of channel allotments)	SI	Off the air (silent)
LC	License to Cover	STA	Special Temporary Authority
MX	Mutually Exclusive	XC	Transmitter site changed
NDA	Non-directional antenna	XG	Transmitter site change granted
NS	Permit granted for new station	XR	Transmitter site change requested
DG	Granted conversion to DTV		

### News:

(full-power digital stations in **bold face**; LPTV and translators in regular type; full-power analog stations in **bold italics**; low-power analog stations in *regular italics*)

\* indicates this DTV facility replaces an analog facility on the same channel.



#### CANADA:

##### Alberta:

Edmonton 42 CBXT-DT AF 131.71kw/  
233m

##### British Columbia:

Fraser Valley 47 CHNU-DT AF 21.4kw/  
335m

Vancouver 22 CHAN-DT AF 40kw/656m

Vancouver 33 CKVU-DT AF 8.3kw/  
670m

Victoria 21 CHNU-DT-1 AF 3.5kw/99m

Victoria 27 CKVU-DT-x AF 2.75kw/  
100m

##### Manitoba:

Winnipeg 27 CBWT-DT AF 42kw/  
139m

Winnipeg 51 CBWFT-DT AF 7.6kw/  
139m

##### Nova Scotia:

Halifax 39 CBHT-DT AF 157.54kw/  
266m

##### Ontario:

Hamilton 36 CITS-DT AF 20kw/335m

London 14 CITS-TV-2 AF 4kw/266m

Ottawa 25 CBOT-DT AF 165kw/  
333m (to make

Ottawa 42 CITS-TV-1 existing interim  
transmitter  
permanent)  
AF 37kw/203m

##### Quebec:

QuÃ©bec 12 CBVT-DT AF 2.45kw/  
500m (to make  
existing interim  
transmitter  
permanent)



##### American Samoa:

Pago Pago 11 K11UU DR 300w



##### Puerto Rico:

Adjuntas 42 W42DZ-D NS 15kw, 18-10-10/  
66-34-36

Canovanas 47 W47DX-D NS 15kw, 18-18-36/  
65-47-41

Cayey 39 W39DE-D NS 1kw, 18-06-21/  
66-09-20

Mayaguez 32 W32DZ-D NS 8.8kw, 18-13-46/  
67-06-37

Quebradillas 24 W24DU-D NS DCC 1.3kw for  
WWKQ-LP

Villalba 16 W16CW-D NS 15kw, 18-09-15/  
66-33-15



**U.S. Virgin Islands:**

Charlotte Amalie 19 WVGN-LP DR from ch. 14, 4kw,  
18-21-32/  
64-58-14

Tutu 36 W36DZ-D NS 80w, 18-21-28/  
64-56-53

**USA:****Alabama:**

Tuscaloosa 28 W28DX-D NS 2kw, 33-13-07/  
88-05-47

**Alaska:**

Anchorage 4, KYES - AF dismissed (DRT)  
17 0831AEE,  
KYES -  
0831AEG

Anchorage 5 KYES-TV CX  
Anchorage 33 KDMD QR from 32,  
17.2kw/300m;  
amendment from  
1.2kw

**Arizona:**

Phoenix 25 K25DM DR 1.5kw dismissed  
Yuma 39 K39KW-D NS 15kw, 32-40-22/  
114-20-11

**Arkansas:**

El Dorado 21 KCIB-LP DR from ch. 5, 1.1kw  
Fayetteville 30 KEGW-LP DR from ch. 64, 15kw  
Fayetteville 36 KFFS-CA DR 15kw

**California:**

Bakersfield 29 KBFX-CA converted to Class A  
(ANALOG)  
Bakersfield 39 KABE-LP DC 15kw  
Banning 4 KRVD-LP DR from ch. 33, 300w  
dismissed, going for  
ch. 5 instead  
Banning 26 K26KI-D NS 4kw, 33-50-32/  
116-49-27 (KUSI-51)  
Barstow 10 K28IE DR from ch. 28, 165w,  
34-21-08/  
117-40-27; CL from  
Victorville rescinded  
Bishop 20 KBBC-TV PR<350w (aux)  
Camarillo 44 KUHD-LP DR from ch. 6, 1kw,  
34-14-40/  
118-40-26

Cathedral City 38 KPSP-LP DC  
East Los Angeles 45 KLAU-LD QR from ch. 66, 1kw  
dismissed; going for  
ch. 53 instead

El Centro 40 K40LM-D NS 15kw, 32-47-39/  
115-33-12 (KUSI-51)  
Hanford 23 KHMM-CA DC from ch. 14, 15kw,  
37-04-19/  
119-25-49

Indio 40 KVER-CA DR from ch. 4, 15kw,  
33-51-56/  
116-25-58;  
supercedes permit for  
11

Joshua Tree 21 K21KS-D NS DCC 70w for  
K14JT

Lakeport 33, K33CH,  
46 K46DR CX

Los Angeles 3 KVTU-LP XR 34-13-56/  
117-40-09; DR 85w at  
different site dismissed

Los Angeles 12 KTBV-LD PR>300w

Los Angeles 28 KCET FC; to go

Los Angeles 50 KEDD-LP independent  
DR<8kw, 34-13-55/  
118-04-18, CL from  
Lancaster; DG; DC;  
DR 10kw at different  
site dismissed

Lucerne Valley 17 K54AD QR from ch. 54, 1kw

Monterey 17 NEW-lpdtv AF dismissed

Redding 6 KNNN-LP CC from KFMD-LP

Sacramento 20 K27EU DC from ch. 27, 4.7kw

Sacramento 35 KCRA-TV NS 1000kw/  
462m, 38-14-50/  
121-30-03 (aux)

Salinas 22 KLFB-LP DC from ch. 21,  
3.49kw, 36-31-48/  
121-36-31

Salinas 38 K38JP DC 15kw

San Jose 6 KBKF-LP PR>3kw, 37-29-56/  
121-52-16

Santa Barbara 38 K38ME-D NS 1.1kw, 34-31-28/  
119-57-35

Santa Paula 24 KBEH - NW 7w, 34-19-49/  
0407ABZ 119-01-24; DRT for  
Oxnard stn.

Victorville (sic) 32 K32JV-D NS 500w, 34-38-06/  
117-07-02

Walnut 45 KRMV-LP DR 5kw, 34-11-11/  
117-42-01; CL from  
Moreno Valley

Yreka 25 K25LR-D NS 1kw, 41-37-38/  
122-34-58

Yreka 49 K49IG DC 2.36kw

**Colorado:**

Aguilar 46 K46JN-D NW 250w, 37-23-10/  
104-38-12 (KRMA-6)

Breckenridge 10 K10PM DC

Coaldale 33 K59CL DC from ch. 59, 15w

Del Norte 46 K46JO-D NW 250w, 37-40-30/  
106-14-30 (KRMA-6)

Divide Creek 6 K06GW DC 5w, 39-33-56/  
107-31-57

Glenwood 45 K45KC-D NW 250w, 39-32-34/  
Springs 107-17-58

Grand Junction 33 K33KY-D NS 2kw, 39-03-59/  
108-44-40

Grand Valley 28 K28HA DC 430w

Ignacio 36 K52GA DC from ch. 52, 170w

La Veta 42 K42ID-D NW 250w, 37-30-00/  
105-00-27 (KRMA-6)

Lake George 29 K58FY DC from ch. 62, 200w

Montrose 32 K32CW DC 2.5kw

Nucla 13 K13SN DC 20w

Ouray 9 K09PJ DC 20w

Ouray 33 K61BR DC from ch. 61, 100w

Ridgway 31 K64BL DC from ch. 64, 190w

Rulison 32 K61BN DC from ch. 61, 1.1kw

Salida 20 K20JG-D PC>690w

San Luis 44 K44IX-D NW 250w, 37-12-14/  
105-25-37 (KRMA-6)

San Luis Valley 32 K55CL DC from ch. 55, 1.1kw

Silt 49 K49AH DC 1kw

Sterling 20, K20FS, DR 198w/  
44, K44FL, 395w/  
48 K48DQ 395w

Florida:

Big Pine Key 6 W57AM DR from ch. 57, 300w,  
24-40-36/  
81-30-41

Brownsville 39 W57DU-D PR<6kw, 25-59-09/  
80-11-37

Fort Myers 22 W22CL DR 15kw, 26-25-22/  
81-37-49

Key West 31 WTVK-LD DG 4kw

Layton	16	W16CA	DR 15kw, 24-49-16/ 80-49-07; CL from Big Pine
Ocala	50	W50EF-D	NS 3kw, 29-21-32/ 82-19-42
<b>Orlando</b>	<b>26</b>	<b>WKMG-TV</b>	<b>NW 359kw/ 491m (aux)</b>
<b>Panama City</b>	<b>7</b>	<b>WJHG-TV</b>	<b>PG&gt;67kw/ 262m</b>
Panama City	19	W19DM-D	NS 3kw, 30-21-09/ 85-23-28
Tallahassee	36	W36EA-D	NS 500w, 30-30-56/ 84-21-56
<b>Georgia:</b>			
Albany	23, 38	W23DU-, W38EM-D	PR>15kw
Athens	22	W22DS-D	NS 3kw, 33-46-50/ 82-53-15
Atlanta	55	WYGA-CA	CX
Columbus	29	W29EA-D	NS 6w, 32-27-58/ 85-03-23
Norcross	47	WKTB-CD	PG<12.5kw
Swainsboro	43	W43CY-D	NS 800w, 32-32-36/ 82-18-09
Valdosta	38, 44	W38ES-, W44DD-	NS 15kw, 31-10-18/ 83-21-57
Warner Robins	24	W24DV-D	NS 2kw, 32-44-58/ 83-33-35
Warner Robins	38	WRWR-LD	NW 15kw, 32-45-51/ 83-33-32
<b>Hawaii:</b>			
Kilauea	41	K41JT-D	PC>3.16kw
<b>Idaho:</b>			
Cambridge	17	NEW-lpdtv	AF 510w, DCC for K05DC
Cascade	21	K13GO	DR from ch. 13, 490w
Council	23	K13GW	DR from ch. 13, 460w
Glenns Ferry	16	NEW-lpdtv	AF 430w, DCC for K05DD
Lava Hot Springs	14	K14MC	DR 2w
Leadore	13	K13RV-D	DG 22w, 44-42-23/ 113-18-31
Lemhi	9	K09SD	DC 25w
McCall	15	K13SO	DR from ch. 13, 470w
Salmon	46	K46EC	DR 110w
<b>Illinois:</b>			
Chicago	48	WCUU-CA	CC from WMEU-CA
Plano	18	W18DX-D	NS DCC 10kw for WSPY-LP
Rockford	35	WFBN-LP	XR 42-15-59/ 89-04-23
Springfield	23, 34	W23DX-, W34EE-D	NS 2kw/ 500w, 39-46- 52/ 89-36-18
<b>Indiana:</b>			
Clarksville	45	WWJS-CA	CC from WNDA-CA
Evansville	27	W27DH-D	NS 2kw, 38-01-26/ 87-21-43
<b>Fort Wayne</b>	<b>40</b>	<b>WFWA</b>	<b>PG&gt;153kw</b>
<b>Hammond</b>	<b>36</b>	<b>WJYS</b>	<b>PC&gt;145kw/ 510m</b>
Indianapolis	47	WBXI-CD	DG 7.8kw
<b>Iowa:</b>			
Dubuque	7	KWWL - 1012ACZ	AF 300w, 42-24-16/ 90-34-12; DRT for station on same channel in Waterloo.
<b>Kansas:</b>			
Emporia	36	KTWU -	NS 15kw, 38-26-52/

Lawrence	36	KTWU - 0820AAE	96-07-56, DRT for ch. 11 Topeka NS 15kw, 38-56-22/ 95-01-14, DRT for ch. 11 Topeka
Manhattan	47	KTWU - 0820AAD	NS 15kw, 39-13-34/ 96-37-00, DRT for ch. 11 Topeka
Pittsburg	14, 15, 16	K14NX-D, K15IJ-D, K16IS-D	NS 15kw, 37-23-39/ 94-46-14
Topeka	43	KTMJ-CD	DG 15kw
<b>Kentucky:</b>			
Bowling Green	40	WKUW-LP	DC from ch. 60, 2.4kw, 36-57-37/ 86-32-49; CL from Glasgow
Louisville	34	WBKI-CA	DR from ch. 28, 15kw, 38-21-55/ 85-50-24
Lynch	9	WAPM-CA	CX
<b>Louisiana:</b>			
Lafayette	46	KLAF-LP	PR>2.65kw
Leesville	51	K51FO	PR>15kw
West Monroe	17	KWMS-LP	DR 14kw dismissed; going for ch. 18 instead
<b>Maine:</b>			
Augusta	29	W29DZ-D	NS 15kw, 44-44-42/ 69-41-34
<b>Maryland:</b>			
Salisbury	45	W23DF-D	QC from ch. 23, 38- 54-32/ 76-34-28
<b>Massachusetts:</b>			
Springfield	34	WTXX-LP	CC from WESA-LP
<b>Michigan:</b>			
Detroit	18	WDWO-CA	DC 15kw
Escanaba	48	WJMN-TV	<b>NW 1000kw/ 355m</b>
Grand Rapids	41	WOLP-LD	NW 15kw, 42-41-13/ 85-30-34, DCC for analog 27
Jackson	34	WHTV	<b>PG&gt;540kw, superceded by PR&gt;88kw/ 288m</b>
Muskegon	24	WTLJ	<b>PC&gt;310kw/ 283m</b>
<b>Minnesota:</b>			
Brainerd	28	KAWB	<b>PC&gt;137.5kw</b>
Duluth	21	K21KR-D	NS 1kw, 46-47-16/ 92-07-01
St. Charles	19	K19IT-D	NS 1kw, 43-55-56/ 91-57-44
<b>Mississippi:</b>			
Biloxi	16	WMAH-TV	<b>PG&gt;540kw/ 474m</b>
<b>Montana:</b>			
Colstrip	38	K38MC-D	NS DCC 300w, 45-50- 24/ 106-54-39
Forsyth	41	K41LS-D	NS DCC 150w for K04FF
Forsyth	43	K43MU-D	NS DCC 150w, 46-19- 38/ 106-41-49 for K12LR

Forsyth	47, 49, 51	K47MT-D, K49LN-D, K51LI-D	NS DCC 20w, 46-15-40/ 106-40-21 for K07LO/ K09BW/ K11CB
<b>Great Falls</b>	21	<b>KUGF</b>	<b>NW 23.4kw/ 153m, 47-32-09/ 111-17-02 (Montana PBS)</b>
Hamilton	25	K25LO-D	NS 15kw, 46-20-28/ 114-02-36
Howard	46, 48, 50	K46LA-D, K48MI-D, K50MA-D	NS DCC 250w, 46-19-15/ 106-59-46 for K06JU/ K10AJ/ K44DM
Lake McDonald	5	K05FC	DR 5w, 48-25-59/ 113-57-55
Lewistown	43	K43DC	DR 15kw, 47-10-40/ 109-32-06; DG; DC
Miles City	10	K10GF	DC 200w
<b>Missoula</b>	11	<b>KUFM-TV</b>	<b>PC&gt;12.3kw</b>
Red Lodge	15	K15IK-D	NS 750w, 45-07-19/ 109-16-11
Thompson Falls	4	K04QV-D	NW 10w, 47-32-27/ 115-19-02
Thompson Falls	36, 45, 48, 50	K36BW, K45LB-D, K48MB-, K50LS-D	DC 185w, 47-32-27/ 115-19-06
West Glacier	7, 10, 12	K07IT, K10LH, K12LU	DR 19w, 48-25-59/ 113-57-55
West Knees	11	K11WQ-D	NS 300w, 48-00-55/ 111-20-59 (KRTV-3)
<b>Nebraska:</b>			
Ainsworth	11	K11KW	OFF
Ainsworth	13	K13EH	OFF
Bassett	13	K13PB	OFF
<b>Grand Island</b>	16	<b>KTVG-TV</b>	<b>OFF</b>
McCook	40	WCWH-LP	CX
McCook	40	WCWH-LP	OFF
McCook	42	KBVZ-LP	CX
McCook	42	KBVZ-LP	OFF
Omaha	48	KOHA-LP	OFF
Omaha	53	K53EY	OFF
Wood Lake	13	K13AW	OFF
<b>Nevada:</b>			
Boulder City	14	KBBB-LD	CC from K14NE-D
Carson City	31	K31LJ-D	NS 1kw, 39-08-55/ 119-44-30
Cooper Canyon	6	K06FQ	XC 40-37-05/ 116-41-21; increase antenna height 350m & go DA
Eureka	36, 43	K36KN-D, K43MT-D	NS DCC 300w, 39-26-59/ 115-59-52 for K42CL/ K17FY
Eureka	47, 51	K47DG, K51GR	DC 300w
Las Vegas	14	KNBX-CA	DR from ch. 31, 15kw; supercedes permit for 21
Manhattan	6, 10, 12	K06KQ, K10LQ, K12MW	DR 2w
Reno	25	NEW-lpdtv	AF 13.4kw, 39-35-02/ 119-47-51, DCC for analog ch. 25 (??)
Reno	43	KELM-LD	DR 15kw
<b>New Hampshire:</b>			
Hanover	50	W50DP-D	PC>228w
<b>New Mexico:</b>			

Cimarron	28	K28GF-D	DG 3.82kw; DC
Raton	20	K20CV	DC 398w
Red River	15	K15FV	DC
Roswell	23, 36	K23KU-D, K36KS-D	NS 15kw, 33-23-56/ 104-22-29
Silver City	12	K12QW-D	NS 300w, 32-51-49/ 108-14-27 (KOB-4)
Wagon Mound	36	K36FQ	DC
<b>New York:</b>			
New York	10	WNXY-LD	QR from ch. 43, 30w
<b>North Pole</b>	14	<b>WPTZ</b>	<b>AF 3.98kw/ 853m (aux)</b>
Rochester	46	WBGT-CA	DR 15kw
<b>North Carolina:</b>			
<b>Asheville</b>	13	<b>WLOS</b>	<b>NW 50kw/ 849m</b>
Jacksonville	26, 39, 41	W26DW-, W39DG-, W41DU-	NS 15kw, 34-31-05/ 77-26-54
Smithfield	34	WARZ-LP	DC 15kw
Statesville	48	W21CI	DR from ch. 21, 15kw
Wilmington	45	W45DO-D	NS 3kw, 34-19-16/ 78-13-42
<b>North Dakota:</b>			
Fargo	41, 46	K41LR-D, K46KY-D	NS 15kw, 46-45-35/ 96-36-27
<b>Ohio:</b>			
Millersburg	27	W69AO	DC from ch. 69, 2kw, 40-35-17/ 81-29-16
<b>Oklahoma:</b>			
Cherokee	15, 17, 20, 22, 28	K15HL-D, K17ID-D, K20JD-D, K22ID-D, K28JX-D	NW 500w, 36-47-06/ 98-33-34
Elk City	25	K25LQ-D	NS 470w, 35-21-25/ 99-16-08; NW
Gage	16, 20	K16DX, K20BR	DC 540w
May	22	K22BR	DC 540w
May	25	K25JQ-D	DC 500w
Mooreland	33	K33JM-D	NW 500w, 36-33-55/ 99-16-39 (KFOR-4)
Oklahoma City	31	NEW-lpdtv	AF 15kw, 35-22-10/ 97-27-36, DCC
Sayre	14	K14NY-D	NS 430w, 35-09-05/ 99-42-50; NW
Seiling	19, 41, 43, 47, 49	K19GZ-D, K41KS-D, K43KU-D, K47LB-D, K49DO	NW 500w, 36-05-35/ 98-57-15
Woodward	26, 29, 31, 38	K26IS-D, K29HZ-D, K31JQ-D, K38KH-D	NW 500w, 36-33-55/ 99-16-39
<b>Oregon:</b>			
Bend	36	K36KT-D	NS 15kw, 44-11-51/ 120-58-36
Bend	49	K28JE	DC 5kw, 44-11-51/ 120-58-36
Glendale	58	K58DA	CX
Glide	26	K26HO	DC 2kw
Gold Hill	27	K55DQ	DR from ch. 55, 100w
Gold Hill	46	K46CH-D	DG 1.5kw
Harrisburg	34	K34LG-D	NS 4.75kw, 44-00-05/ 123-06-16
Huntington	13	K13SL	CX
John Day	15	K15IL-D	NS DCC 1.32kw, 44-



John Day	17	K17JY-D	26-02/ 118-57-27 NS DCC 1.32kw for K08NP
Klamath Falls	48	K48HV	DC 602w
Nesika Beach	20	K20BI-D	DG 280w
Oakland	12	K12IA	CX
Paisley	28	K04PK	DR from ch. 4, 500w
Portland	26	K26GJ-D	PR>15kw
Silver Lake	8	K08LG	DR 220w
Sweet Home	38	K38KU-D	NW 2.83kw, 44-30-19/ 122-57-42
<b>Pennsylvania:</b>			
Bedford	30	WJAC - 0626AAV	AF dismissed (DRT for ch. 34 Johnstown). Has permit for ch. 29 instead.
Philadelphia	7	WWJT-LP	OFF
Philadelphia	30	WELL-LD	DC 10kw, Daystar
Philadelphia	33	WZPA-LP	OFF
Philadelphia	38	WPHA-CA	RA with infomercials
<b>South Carolina:</b>			
Greenville	16	WGGG-TV	PG>900kw
Myrtle Beach	15	W15CY-D	NS 300w, 34-22-03/ 79-19-48
Myrtle Beach	23	W23DW-D	NS 3kw, 34-22-03/ 79-19-48
<b>South Dakota:</b>			
Milbank	47	K47IC	CX
Yankton	21	K21EN	CX
<b>Tennessee:</b>			
Humboldt	45	W45DP-D	NS 15kw, 35-42-17/ 88-44-46
Knoxville	40	W40DM	CX
Memphis	50	W50EA-D	NW 15kw, 35-16-33/ 89-46-38 (3Abn)
Nashville	40	WKUW-LP	PR>10kw, 36-15-50/ 86-47-39; CL from Glasgow, Kentucky dismissed
TENN Pigeon Forge	11	W11DI-D	NS DCC 250w for WJDP-LP
<b>Texas:</b>			
Amarillo	69	K69IH	CX
Amarillo	22	KEAT-LP	CX
Amarillo	50	KAMT-LP	CX
Amarillo	64	K64GK	CX
Baytown	41	KUBE-TV	CC from KAZH
Beaumont	33	KITU-TV	PR>1000kw, DA
College Station	34	KUTW-LP	CX
College Station	41	K41LT-D	NS 500w, 30-41-07/ 96-14-57
Corpus Christi	16	KCCZ-LP	DR from ch. 61, 6kw (supercedes application to go digital on 6)
Corpus Christi	28	K28LJ-D	NS 500w, 27-47-26/ 97-27-01
Corpus Christi	44	K44KI-D	NS 500w, 27-47-26/ 97-27-01
De Soto	22	KNAV-LP	DR 10kw
Del Rio	28	KYVV - 20101008AC	AF 14.99kw, 29-37-11/ 99-02-56; DRT N
Del Rio	28	KYVV-TV	CC from KTRG
El Paso	39	KSCE	PC>150kw
Freeport	30	K30DN	CX
Houston	24	KETH-TV	PC>1000kw/ 580m
Katy	47	KAZH	CC from KNWS-TV
Kingsville	6	K06PW-D	NS 10w, 27-28-24/

Lake Dallas	39	KLDT	97-51-48 QC from 54, 1000kw/509m, 32-35- 15/ 96-57-59
Laredo	31	KETF-CA	XR 27-31-12/ 99-31-19
Longview	47	KLPN-LP	DR from ch. 58, 10kw
Lufkin	38	K38MD-D	NS 3kw, 31-22-09/ 94-38-47
Midland	31	K31LL-D	NS 15kw, 32-02-11/ 102-22-43
Midland	44, 51	K44KH-D, K51LJ-D	NS 3kw, 31-59-43/ 102-15-27
Port Arthur	46, 51	K46LC-D, K51LL-D	NS 3kw, 29-57-06/ 93-52-46
San Angelo	6	K06PX-D	NS 300w, 31-29-46/ 100-28-39
San Angelo	26	K06PX-D	QR from ch. 6, 15kw
Tyler	21	K21KT-D	NS 3kw, 32-21-52/ 95-16-20
Waco	38	KWKO-LP	CX
Wichita Falls	30	K30LD-D	NS 5kw, 33-53-51/ 98-32-32
Wichita Falls	36	KUWF-LP	CX
Wichita Falls	68	KTWW-LP	CX
<b>Utah:</b>			
Cedar City	9	K09CJ-D	DG 300w; DC
Escalante	25	K25LP-D	NS 10w, 37-47-10/ 111-35-39
Fillmore	34	K34GO	DC 150w
Heber	26, 35	K26IK-D, K35EW	PR>356w
Heber	27, 31, 39	K27GC, K31FP, K39HS	DG 356w; DC
Heber	35	K35EW-D	DG 36w
Hildale	8	K08PC-D	NS DCC 20w, 36-53- 38/ 113-01-54 for K07SC
Hurricane	4	K04RJ-D	NS 110w, 37-08-56/ 113-21-50
Mayfield	7, 9, 11, 13	K07PE, K09JH, K11JK, K13JP	CX
Panguitch	36	K36KQ-D	NS 6w, 37-49-15/ 112-27-27
Roosevelt	42	K42JT-D	NS 85w, 40-19-27/ 110-09-19
Salina	41	K41LF-D	NW 10w, 38-52-37/ 111-52-32
Scipio	45	K45LD-D	NS 50w, 39-12-09/ 112-08-34
St. George	6	KGHD-LP	PR>3kw, 36-35-06/ 114-3-01
St. George	38	KGHD-LD	AF 2kw, 36-35-06/ 114-36-01, DCC for ch. 6 analog facility
<b>Virginia:</b>			
Garden City	4	W04AG	DR 6w
Grundy	23	WJDG-LP	DR 325w, 37-10-49/ 81-22-39
Richmond	14	W14DN-D	NS DCC 15kw, 37-36- 52/ 77-30-56
<b>Washington:</b>			
Chelan	28	K64ES	DR from ch. 64, 2.5kw
Malott	8, 10, 12	K08CW, K10DK, K12CW	DR 29w
Methow	9,	K09BI,	DR, 48-02-13/

	11	K11BM	119-59-07
Methow	44	K44EN	DR 400w
Othello	47	K47MV-D	NS 1kw, 46-44-26/ 119-05-22
Seattle	16	KBTC - 1012ADE	AF 1kw, 47-36-57/ 122-18-26; DRT for ch. 27 Tacoma.
Seattle	25	KZJO	CC from KMYQ
Tonasket	8,	K08CX,	DR
	10,	K10DL,	
	12	K12CX	
Wenatchee	20	K20KN-D	NS 1kw, 47-40-01/ 120-13-06
Yakima	19	NEW-lpdtv	AF 15kw, 46-31-52/ 120-30-50 (Christian Broadcasting of Yakima)
<b>West Virginia:</b>			
Clarksburg	46	W21CJ	DC from ch. 21, 15kw
<b>Wisconsin:</b>			
Chippewa Falls	65	WISL-LP	CC from WIJC-LP
Galesville	21	W21DC-D	NS 1kw, 44-11-41/ 91-15-19
La Crosse	58	WIJC-LP	CC from W58DQ
Milwaukee	18	WVTV	NW 745kw/ 302m
Milwaukee	35	WMVT	PG>688kw/ 354m
Sister Bay	18	W18CU-D	PC>3.9kw
Suring	21	WCWF	CC from WIWB
Tomah	26	WXOW - 1012ADB	AF 660w, 44-01-32/ 90-48-58; DRT for ch. 48 La Crosse.
<b>Wyoming:</b>			
Douglas	29	K29JO-D	NW 200w, 42-43-20/ 105-18-46
Meeteetse	17	K17KC-D	DG from K65BW, 15kw
Mountain View	31	K31FW-D	DG 300w
Sage Junction	44	K44KE-D	NW 900w, 41-49-05/ 110-58-24
Sheridan	29	NEW-lpdtv	AF dismissed (Mission Broadcasting)

Thanks to Joel Nelson, John Zeis, and Bill Draeb for information appearing elsewhere in this column.

The Digital Replacement Translator for WTSP in St. Petersburg, Florida is actually to be located between Hernando and Dunnellon. I don't think it will actually have any coverage in St. Petersburg itself.

Similarly, KYVV-28 Del Rio, Texas has filed for a Digital Replacement Translator... on the same channel as the main transmitter... and licensed to the same city. However, the DRT is 178km (over 100 miles!) from the existing main transmitter.

KYVV has also applied to move the main transmitter closer to the Replacement Translator, but if that's granted they'll still be 88km apart.

KWWL Waterloo, Iowa has also filed for a Digital Replacement Translator on the same channel (7) as their main transmitter.

However, this one will be in a more reasonable location... Dubuque, which according to the map might be considered well within the coverage area of KWWL's main transmitter.

Dubuque is probably a worst-case location though. (I was there for a few minutes last week... and am generally familiar with the geography) Dubuque is along the Mississippi River – in the valley – shielded from the west, where the Waterloo and Cedar Rapids transmitters are. A bluff on the other side shields the city from the Madison, Wisconsin stations; in any case, all but one were UHF in the analog days & stood little chance of reaching Iowa.

In Los Angeles, KCET has announced plans to drop their PBS affiliation at the end of the year and go independent. Management cites their inability to negotiate a lower PBS membership fee.

KCET will continue to be a non-commercial public TV station. (their channel is reserved by the FCC for non-commercial operation, and it is Commission policy to not remove these reservations unless the reservation can be moved to another channel in the same city.) They will continue to air programs obtained from sources other than PBS (for example, BBC programs) and programs produced locally in Los Angeles.

I would not be too totally surprised if this announcement is a negotiating tactic. There is some possibility an agreement will be reached in the next 80 days & KCET will remain with PBS.

If there is no agreement, I think there's a fair possibility one or more of the other three non-commercial stations in the Los Angeles market will take on some of the lost programming. KLCS-41 and KOCE-48 share KCET's Mt. Wilson transmitter site and have similar – if not better – coverage. KVCR-26 also serves the LA market, though their transmitter near San Bernardino misses most of the Los Angeles area.

The CRTC has released two lists of stations they expect to complete conversion to digital by the end of August of next year. The first list is a list of stations in "mandatory markets", markets where all stations are required to convert. The second list is of stations outside mandatory markets, but operating on channels above 51.

Most stations on these lists are expected to file an application to go digital by the end of this year. However, stations in nine of Canada's largest cities are expected to have already filed their applications as of the end of \*this\*

August.

**ANALOG STATIONS IN MANDATORY MARKETS:**

BC Vancouver:	CBUT 2; CHAN 8; CKVU 10; CIVI-TV-2 17; CBUFT 26; CIVT 32; CHNM 42; CHNU 66
BC Victoria:	CHEK 6; CHNU-TV-1 21; CHNM-TV-1 29; CIVI 53
AB Edmonton:	CFRN 3; CBXT 5; CJAL 9; CBXFT 11; CITV 13; CKES 45; CKEM 51; CJEO 56
AB Calgary:	CICT 2; CFCN 4; CKAL 5; CBRT 9; CIAN 13; CBRFT 16; CKCS 32; CJCO 38
AB Lethbridge:	CKAL-TV-1 2; CISA 7; CBRT-6 10; CJIL 17; CBXFT-3 23
AB Lloydminster:	CKSA 2; CITL 4
SK Saskatoon:	CFSK 4; CFQC 8; CBKST 11; CBKFT-1 13
SK Regina:	CKCK 2; CBKT 9; CFRE 11; CBKFT 13
MB Winnipeg:	CBWFT 3; CBWT 6; CKY 7; CKND 9; CHMI 13; CIIT 35
ON Toronto:	CBLT 5; CFTO 9; CICA 19; CBLFT 25; CIII-TV-41 41; CFMT 47; CKXT 52; CITY 57; CJMT 69
ON Hamilton:	CHCH 11; CITS 36; CKXT-TV-1 45
ON Barrie:	CKVR 3; CIII-TV-7 7; CBLT-TV-1 16; CBLFT-11 55; CHCH-TV-3 67
ON London:	CFPL 10; CITS-TV-2 14; CICO-TV-18 18; CJMT-TV-1 20; CKXT-DT-2 26*; CITY-TV-2 31; CBLN 40; CHCH-TV-2 51; CBLFT-9 53; CFMT-TV-1 69
ON Kitchener:	CIII 6; CKCO 13; CICO-TV-28 28; CBLN-TV-1 56; CBLFT-8 61
ON Windsor:	CBET 9; CHWI 16; CIII-TV-22 22; CICO-TV-32 32; CBEFT 54; CHWI-TV-60 60
ON Thunder Bay:	CKPR 2; CHFD 4; CICO-TV-9 9; CBLFT-18 12
ON Ottawa#:	CBOT 4; CIII-TV-6 6; CBOFT 9; CHCH-TV-1 11; CJOH-TV 13; CJMT-TV-2 14; CICO-TV-24 24; CITS-TV-1 32; CHRO-TV-43 43; CKXT-DT-3 54*; CFMT-TV-2 60; CITY-TV-3 65
QC Gatineau#:	CIVO-TV 30; CFGS-TV 34; CHOT-TV 40
QC Montreal:	CBFT 2; CBMT 6; CFTM 10; CFCF 12; CIVM 17; CFTU 29; CFJP 35; CKMI-TV-1 46; CJNT 62
QC Sherbrooke:	CHLT 7; CKSH 9; CKMI-TV-2 11; CIVS 24; CFSK 30; CBMT-3 50
QC Quebec:	CFAP 2; CFCM 4; CBVE 5; CBVT 11; CIVQ 15; CKMI 20
QC Trois-Rivieres;	CHEM 8; CKTM 13; CFKM 16; CBMT-1 28; CIVC 45
QC Saguenay:	CFRS 4; CJPM 6; CIVV 8; CKTV 12; CBJET 58
QC Riviere-du-Loup:	CKRT 7; CIMT 9; CFTF 29
QC Rouyn-Noranda/Val-d'Or:	CKRN 4; CJDG 7; CIVA-TV-1 8; CFEM-TV-1 10; CIVA 12; CFEM

	13; CFVS-TV-1 20; CFVS 25
NB Moncton:	CKCW 2; CBAT-TV-2 7; CBAFT 11; CIHF-TV-3 27
NB Saint John:	CBAT 4; CBAFT-1 5; CKLT 9; CIHF-TV-2 12
NB Fredericton:	CIHF-TV-1 11; CBAFT-10 19
NS Halifax:	CBHT 3; CJCH 5; CIHF 8; CBHFT 13
PE Charlottetown:	CKCW-TV-1 8; CBCT 13; CBAFT-5 31; CIHF-TV-14 42
NL St. John's:	CBFJ 4; CJON 6; CBNT 8
YT Whitehorse:	CFWH 6; CBFT-15 7; CHWT 11
NT Yellowknife:	CFYK 8; CHTY 11; CH4127 13

**CANADIAN ANALOG TRANSMITTERS ABOVE CHANNEL 52 OUTSIDE MANDATORY MARKETS:**

BC Spillimacheen:	69	CBUBT-6
AB Burmis:	55	CJIL-TV-2
AB Forestburg:	52	CBXT-12
ON Belleville:	53	CICO-TV-53
ON Brighton:	66	CKWS-TV-1
ON Chatham:	59	CICO-TV-59
ON Chatham:	64	CBLN-TV-3
ON Cloyne:	55	CICO-TV-92
ON Fort Erie:	55	CIII-TV-55
ON Foymount:	59	CBOT-1
ON Peterborough:	54	CFTO-TV-54
ON Sarnia:	68	CBLFT-17
QC Lac-Etchemin:	55	CBVT-4
QC Sainte-Famille:	55	CBVT-2
NS Digby:	52	CBHT-7
NS Digby:	58	CBHFT-6
NS Truro:	55	CBHT-8

\* - station is already digital  
# - Ottawa & Gatineau are the same market...

Good DX!



**CFTM 10 Montreal**



# FM NEWS



**BILL HALE**

6124 Roaring Springs Drive, N. Richland Hills, TX 76180

FMnews@wtfd.org

November 2010

## INDEX OF ABBREVIATIONS

APP: application  
 APP Mod: Change to an already submitted application  
 Class FM: license class  
 CP: construction permit (authority to broadcast with facilities noted)  
 CP Mod: change to an already granted CP  
 DA: directional antenna

FC: frequency change (to or from)  
 FF: French Language  
 \$: Stereo  
 STA: Special Temporary Authority  
 XL: Transmitter Location

Note: antenna heights are HAAT except where noted

cc CANADA cc

## C CALL LETTER CHANGES C

NONE REPORTED THIS MONTH

### C FORMAT and SLOGAN CHANGES C

AB Edmonton	95.7	CKEA-FM	New station is on the air with AAA: <i>The Sound</i>
AB Lethbridge	94.1	CJOC-FM	> <i>CJOC</i> [ex: <i>The Lounge</i> ]
AB Medicine Hat	102.1	CJCY-FM	> <i>CJCY</i> [ex: <i>The Lounge</i> ]
BC Abbotsford	101.7	CIVL-FM	New station on the air [College]
BC Nelson	103.5	CHNV-FM	> AAA: <i>The Bridge</i> [includes CHNV-FM1 91.9 Crawford Bay]
NS Halifax	105.1	CKHY-FM	New station is on the the air with Alternative Rock: <i>Live 105</i>
ON Espanola	99.3	CJJM-FM	<i>Moose FM</i> [ex: <i>JOCO-FM</i> ]
ON Ottawa	94.5	CJFO-FM	New station is on the air with a Community format [FF]
QC Alma	104.5	CFGT-FM	New station is on the air with Soft Rock/MoR [FF]: <i>Planète 104 point 5</i>

### C TECHNICAL CHANGES C

Now on the air:

AB Edmonton	95.7	CKEA-FM	100 kw/251 m, DA, 53-25-20/113-14-09; Class C1; \$
AB High Prairie	93.5	CKVH-FM	25 kw/66 m, 55-24-47/116-32-31; Class B1; \$ [testing at deadline]
BC Abbotsford	101.7	CIVL-FM	550 w/121 m, DA, 49-04-03/122-24-15; Class A; \$
NS Halifax	105.1	CKHY-FM	32 kw/185 m, 44-39-03/63-39-25; Class B; \$
ON Ottawa	94.5	CJFO-FM	2 kw/262 m, 45-30-11/75-55-01; Class B1; Mono
QC Alma	104.5	CFGT-FM	20 kw/137 m, 48-35-34/71-35-23; Class B; \$; this takes the place of CFGT-1270.

### C TECHNICAL CHANGES C

CP granted for:

NB Moncton	101.9	CIRM-FM	50 w/41 m, XL to 46-07-36/64-55-04
NS Port Hawkesbury	101.5	CIGO-FM	38.1 kw-H/171 m, 45-39-00/61-27-57
ON Owen Sound	93.7	CKYC-FM	22 kw/214 m, XL to 44-30-44/80-57-13
ON Owen Sound	106.5	CIKX-FM	28 kw/189 m, XL to 44-30-44/80-57-13
ON Toronto	91.9	CHIN-1-FM	5 kw/86 m, 43-45-29/79-26-13
QC Rouyn Noranda	88.7	CHIC-FM	3.4 kw/103 m, 48-18-05/79-03-09
QC Saint-Donat	89.7	CBF-FM-20	10 kw-H/183 m, XL to 46-20-35/74-12-26

### C TECHNICAL CHANGES BB

#### GRANTS FOR NEW STATIONS

CP granted for:

AB Edmonton	99.3	CHMC-FM	> Adult Contemporary: <i>Up 99 point 3</i>
AB Grande Cache	93.3	(CFXG-FM)	190 w-V/- (minus) 82 m, 53-53-11/119-06-42; Class A1; \$; will replace CFXG-1230 Grande Cache; must be built and on-the-air within 24 months and, once built, will relay CFXE-FM 94.3 Edson
BC 100 Mile House	101.7	CKCC-FM	1.8 kw-H/568 m, 51-54-10/121-15-42; \$; Class B; will be Country/Pop
BC Cawston	96.7	VF2547	50 w-V/-135 m, 49-11-37/119-36-34; Class LP; \$; will be Christian // VOAR-1210 St. Johns, NF
BC Golden	106.3	(CKGR-FM)	890 w-/373 m, 51-16-25/116-29-21; Class A; \$; will replace CKGR-1400
BC Salt Spring Island	98.5	CIOC-FM-1	45 w-V/662 m, DA, 48-45-12/123-29-30; Class A; Mono; will be // CIOC-FM 98.5 Victoria
MB Bloodvein	93.9	VF2579	50 w-V/30 m, 51-46-45/96-41-58; Class LP; Mono; will be Aboriginal [Bloodvein First Nation]
MB Brochet	100.9	VF2573	50 w/30 m, 57-53-14/101-40-03; Class LP; \$; will be Aboriginal [Barren Lands First Nation]
MB Poplar River	94.3	VF2580	50 w/30 m, 52-59-58/97-16-39; Class LP; \$; will be Aboriginal [Poplar River

NF Springdale	89.3	CKCM-FM-1	First Nation] 50 w-V/16 m, 49-29-42/56-04-18; Class LP; \$; will be Country/Talk // CKCM-620 Grand Falls, NF
SK Mistawawsis First Nation	93.7	CHEC-FM	47 w-V/23 m, 53-10-28/106-48-24; Class LP; \$; English/Cree native station
<b>C TECHNICAL CHANGES C</b>			
<b>C APPLICATIONS FROM EXISTING/PROPOSED FACILITIES C</b>			
<u>Applies for:</u>			
AB Saint Paul	97.7	(CHLW-FM)	50 kw/80 m, DA, 54-02-10/111-15-30; Class B; \$ [this is a power increase and XL move application for this facility which will replace CHLW-1310]
NB Moncton	101.9	CIRM-FM	50 w/41 m, XL to 46-07-36/64-55-04; FC to 90.1
NS Halifax	105.1	CKHY-FM	100 kw/185 m, XL to 44-38-47/63-39-37
ON Cobourg	100.9	CKJJ-FM-1	250 w-V/33 m, 43-58-31/78-11-51; FC to 90.7; Class LP to A1 [Re-application]
QC Rouyn-Noranda	88.7	CHIC-FM	3.4 kw/103 m, 48-18-05/79-03-09 [re-application]

## CC UNITED STATES AND TERRITORIES CC

### FULL POWER and LPFM STATIONS

#### C CALL LETTER CHANGES C

	<u>Old Call</u>	<u>New Call</u>					
AL Maplesville	106.3	NEW	WVLV	MT Bozeman	89.9	NEW	KZBN
AK Sutton	89.5	NEW	KVRF	NE Chadron	90.5	NEW	KJZC
AR Lake Village	89.9	NEW	WJWW	NV Battle Mountain	91.9	NEW	KPMJ
CA Bodega Bay	88.1	NEW	KWTF	NV Elko	88.3	NEW	KTQQ
CA Citrus Heights	99.5	KSTN-FM	KLVB-FM	NV Gerlach	91.5	NEW	KDPW
CA Goleta	106.3	KMGQ	KRRF	NV Panaca	89.7	NEW	KLYX
CA Redding	91.5	KLVB-FM	KSTN-FM	NJ North Wildwood	91.9	NEW	WPPS
CA Shasta	90.1	NEW	KFOI	NM Gallup	94.5	KKOR	KYAT
CO Battlement Mesa	102.9	NEW	KXGK	NY Silver Creek	89.3	NEW	WCGM
CO Strasburg	101.5	KTNI-FM	KJHM	NY Smithtown	94.3	WMJC	WIGX
FL Eastpoint	104.5	WOYY	WZFR	NC Sharpsburg	103.1	WNCM	WLQC
FL Pierson	91.7	NEW	WDOZ	OK Ada	91.9	NEW	KOUA
GA Clarksdale	102.9	WMJE	WDUN-FM	OK Cordell	99.3	KCDL	KCLI
GA Doraville	95.5	WBTS	WSBB-FM	OK Woodward	88.1	NEW	KWOU
GA Tallulah Falls	91.7	WVNG	WMJE	PA Beech Creek	89.3	NEW	WRVI
ID Ashton	91.3	NEW	KANP	PA Evans City	89.7	NEW	WBKC
IL Morris	89.3	NEW	WUON	TN Wartburg	90.3	WRSL	WWQW
ME Farmington	91.5	NEW	WUMF	TN Spring City	88.5	WLNQ	WWQS
MI Cassopolis	97.1	WLWZ-LP	WDOW-LP	TX Detroit	104.3	NEW	KFYN-FM
MI Grand Ledge	92.9	WJZL	WLMI	TX Hardin	90.7	NEW	KGBV
MI Luna Pier	98.3	WTWR	WMIM	TX Port Arthur	88.9	NEW	KOFF
MS Pascagoula	105.9	WHGO	WQBB	VT Brattleboro	88.9	NEW	WVBA
MO Elsberry	101.7	KLPW-FM	KXQX	WA Pasco	93.7	KGSG	KRGG-FM
MO Steelville	107.3	KESY	KLPW-FM				

### TRANSLATORS and BOOSTER STATIONS

#### C CALL LETTER CHANGES C

	<u>Old Call</u>	<u>New Call</u>					
CA Sunnymead Ranch	104.7	NEW	KQIE-1	OH New Philadelphia	89.3	W208AS	W207CC
CO Fort Morgan	88.7	K202DX	K204FV	OR Grants Pass, etc	101.5	K205BD	K268BZ
FL Jacksonville	107.7	W232AY	W299BL	TX Lackland City	105.9	K222BS	K290BO
MT Seely Lake	97.3	K300CD	K247BI	WA Mount Vernon	88.3	K201EB	K202ED
NE Norfolk	91.3	K219DW	K217FM				

#### C FORMAT AND SLOGAN CHANGES C

##### C Full Power and LP Facilities C

AL Atmore	105.9	WBZR-FM	> Talk // WBZR-1000 Robertsdale: <i>The Buzz</i>
AK Hoonah	90.7	KHOO	Signs on with a Variety format [Hoonah City School District]
AK Nome	89.3	KQQN	Signs on with Religion [Nome Seventh-Day Adventist Church]
AK Sitka	89.3	KQQS	Signs on with Religion [Nome Seventh-Day Adventist Church]
CA Firebaugh	90.5	KYCI	Returns to the air with Religious Teaching: <i>Your Christian Companion</i>
CA Hanford	103.7	KRZR	> Rhythmic AC: <i>The Beat</i>
CA Laguna Niguel	93.5	KXRN	Returns to the air with Religious Teaching
CA Susanville	100.7	KGXX	Signs on with Country
FL Gainesville	103.7	WRUF-FM	> Country: <i>103 point 7, The Gator</i>
FL Key West	104.9	WXKW	Signs on with Adult Hits: <i>104 point 9, The X</i>
GA Clarkesville	102.9	WDUN-FM	> News-Talk: <i>News/Talk 102 point 9</i>
GA East Point	104.5	WOYY	> Religious Teaching: <i>Faith Radio</i>
GA Savannah	102.1	WZAT	> Sports: <i>ESPN Radio</i>
ID St. Maries	92.1	KXJO	Signs on with NPR News/Variety from Spokane Public Radio
IL Bartonville	99.9	WWCT	> AAA: <i>Progressive Radio</i>
IL Glasford	101.1	WHPI	> Adult Hits: <i>101 point 1, Jack FM</i>
IN Brazil	92.7	WSDM-FM	> Sports: <i>ESPN Radio</i>
IN Columbia City	106.3	WJOE	> Talk: <i>106 point 3, The Truth</i>
IN Columbus	90.3	WKJD	Signs on with Southern Gospel: <i>Your Gospel Station // WYGS 91.1 Hope</i>
IN New Carlisle	102.3	WSMM	Becomes the first all-Christmas station in the nation
IN Sellersburg	93.9	WLCL	Returns to the air with Contemporary Christian: <i>Way-FM</i>
IN Waynetown	88.1	WSRC	Signs on with Gospel: <i>The Source</i>

KS Columbus	105.3	KMOQ	> Contemporary Christian: <i>New Life Radio</i>
ME Rangeley	90.5	WRGY	Signs on with 80s Hits
MA Orleans	91.3	WFMR	Signs on with a Variety format // WOMR-92.1: <i>Outermost Community Radio</i>
MI Detroit	104.3	WOMC	> Classic Hits: <i>104 point 3, Detroit's Greatest Hits</i>
MI Grand Rapids	95.7	WLHT-FM	> Hot Adult Contemporary: <i>Channel 95 point 7</i>
MI Luna Pier	98.3	WMIM	> Adult Contemporary: <i>My 98 point 3</i>
MN Hinckley	88.5	WGHR	Signs on with News: Minnesota Public Radio News Network
MN Pelican Rapids	104.1	KBOT	> Adult Contemporary: <i>Wave 104-1</i>
MS Pascagoula	105.9	WHGO	> Adult Hits: <i>105 point 9, Bob FM</i>
MO Willard	105.1	KOMG	> Country: <i>105 point 1, Bob FM</i>
MO Ozark	92.9	KOSP	> Adult Contemporary: <i>Star</i>
MT Billings	93.3	KURL	Returns to the air with Religion: <i>Christian Radio</i>
NE Aurora	97.3	KRGY	> Classic Rock: <i>The Wolf</i>
NV Spring Creek	90.7	KNVQ	Signs on with Contemporary Christian: <i>Pilgrim Radio</i>
NV Winnemucca	92.7	KWNA-FM	> Sports: <i>The Valley</i>
NM Red River	91.3	KWAS	Signs on with Religious Teaching
NY Mount Kisco	88.9	WWES	Signs on with NPR News-Talk: <i>Northeast Public Radio</i> // WAMC-FM 90.3 Albany
NY St. Bonaventure	88.3	WSBU	Is silent
NC Moyock	92.1	WCDG	> Urban Adult Contemporary: <i>Kiss FM</i> // WJCD-107.7 Windsor, Virginia
OH Luckey	107.7	WPFX-FM	Returns to the air with Country: <i>107 point 7, The Wolf</i>
TN Dresden	95.1	WCDZ	> Classic Hits: <i>Star 95 point 1</i>
TN Tusculum	91.1	WZTH	Signs on with Religion: <i>Truth FM</i>
TN Union City	105.7	WQAK	> Modern Rock: <i>Quake 105 point 7</i>
TX Anson	98.1	KTLT	> Sports: <i>The Ticket</i> // KTCK-1310 Dallas
TX Greenville	93.5	KIKT	Remains Classic Country, but is now <i>The 93 point 5, Coyote</i>
TX Taft	106.5	KTKY	Is silent
TX Temple	101.7	KLTD	> Sports: <i>101 point 7, The Ticket</i>
UT Vernal	88.5	KUSK	Signs on with NPR News/Talk: <i>Utah Public Radio</i> // KUSU 89.5 Logan
VA Windsor	105.3	WKUS	> Oldies: <i>Magic 105 point 3</i>
VA Windsor	107.7	WJCD	> Urban Adult Contemporary: <i>Kiss FM</i>
WV Hillsboro	91.9	WVMR-FM	Signs on with a Variety format: <i>Allegheny Mountain Radio</i> // WVMR-1370 Frost
WI Mosinee	94.7	WOZZ	> Classic Rock [70s - 90s rock]: <i>Rock 94 point 7</i>
WY Opal	91.1	KPMF	Signs on with Contemporary Christian: <i>Pilgrim Radio</i>
WY Reliance	89.5	KTME	Signs on with Contemporary Christian: <i>Pilgrim Radio</i>

**C Translator and LP Facilities C**

Carries the programming of:

MN Pine City	94.1	K231AT	Minnesota Public Radio Classical Network
--------------	------	--------	--

**C OTHERNEWS C**

AL Montgomery	285	W285AJ	Fined \$1000 for failing to file their renewal application in a timely manner and subsequent unauthorized operation [combined with co-owned W296AI, below] License renewed
AL Montgomery	296	W296AI	Fined \$1000 for failing to file their renewal application in a timely manner and subsequent unauthorized operation [combined with co-owned W285AJ, above] License renewed
AZ Bacavi	101.5	KBWV-LP	License cancelled; call deleted
AZ Cottonwood	89.5	K208AA	License cancelled; call deleted
AZ Fredonia, etc	101.9	K270AH	License cancelled; call deleted
AZ Prescott	89.3	K207BR	License cancelled; call deleted
CA Mendocino	97.5	K248AD	License cancelled; call deleted
CA Weimar	104.1	KWMI-LP	License cancelled; call deleted
CT Hartford	89.9	WQTQ	License cancelled; call deleted [for late filing from 2006]
HI Hilo	92.7	KHBF	Is silent [due to financial problems]
HI Holualoa	92.1	KHWI	Is silent [due to financial problems]
ID Salmon	92.7	KSRA-FM	License cancelled; call deleted
IA Mount Vernon	89.7	KRNL-FM	Fined \$5600 for failing to file their renewal application in a timely manner and subsequent unauthorized operation
KS Phillipsburg	95.3	KKAN	License cancelled; call deleted
MA East Harwich	97.7	WXLJ=LP	License cancelled; call deleted
MA Northfield	91.5	WNMH	License cancelled; call deleted
MA Pittsfield	89.7	WTBR-FM	Fined \$7,000 for failing to file their renewal application in a timely manner and subsequent unauthorized operation [Pittsfield Public Schools]
MA South Hadley	91.5	WMHC	Fined \$7000 for failing to file their renewal application in a timely manner and subsequent unauthorized operation [Mount Holyoke College]
MI Hubbardston	103.7	-----	Application for a new station dismissed
MN Winona	94.3	K232CZ	License cancelled; call deleted
MN Worthington	88.1	KBOJ	Is silent. In an FCC filing, American Family Radio says the station had to leave the air because its tower is being dismantled. An application for a new transmitter site has not yet been filed.

NV Eureka, etc	102.1	K271AA	License cancelled; call deleted
NV Goldfield	95.3	K237AV	License cancelled; call deleted
NV Logandale	104.9	K285BV	License cancelled; call deleted
NH Laconia	100.7	W264AH	License cancelled; call deleted
NMAbiquiu	104.9	K285AD	License cancelled; call deleted
NMConchas Dam	102.3	K272DJ	License cancelled; call deleted
NMConchas Dam	105.5	K288EQ	License cancelled; call deleted
NMRaton	105.5	K288EO	License cancelled; call deleted
NMRuidoso	106.3	K291CX	License cancelled; call deleted
NMSanta Rosa	91.9	K220BH	License cancelled; call deleted
NY Copenhagen, etc	95.9	W240AN	License cancelled; call deleted
NY Corning	89.5	W208BC	License cancelled; call deleted
NY St. Bonaventure	88.3	WSBU	License cancelled; call deleted [for late filing from 2006]
OH Wooster	88.7	W204AJ	License cancelled; call deleted
OK Del City	105.5	K288CT	License cancelled; call deleted
OK Mc Calester	95.3	K237BF	License cancelled; call deleted
OK Tahlequah	94.3	K232BI	License cancelled; call deleted
PA Loyal Sock	92.7	W224AI	License cancelled; call deleted
TX Eastland	91.9	K220BB	License cancelled; call deleted
TX Killeen	92.1	K221BM	License cancelled; call deleted
TX Lake Jackson	91.1	K216BX	License cancelled; call deleted
TX Lubbock	92.1	K221CX	License cancelled; call deleted
TX Sealy	92.1	K221CV	License cancelled; call deleted
UT Beaver	105.5	K288AO	License cancelled; call deleted
UT Castle Valley	106.7	K294BL	License cancelled; call deleted
UT Delta	105.5	K288AE	License cancelled; call deleted
UT Delta	107.1	K296AB	License cancelled; call deleted
UT Fillmore	95.3	K237AH	License cancelled; call deleted
UT Holden-Scipio	105.5	K288AP	License cancelled; call deleted
UT Manti	92.1	K221AC	License cancelled; call deleted
UT Vernal	95.3	K237AC	License cancelled; call deleted
VT Randolph	100.1	WRAN-LP	License cancelled; call deleted
WY Cokeville	106.3	K292AO	License cancelled; call deleted
WY Dubois	106.3	K292BA	License cancelled; call deleted
WY Evanston, etc	98.3	K252AI	License cancelled; call deleted

\*\*\*\*\*  
**NEWS ITEM: Heavy rains in Minnesota in mid-September have affected operations at KRUE 92.1 Waseca and KOWZ-FM 100.9 Blooming Prairie as well as a co-owned AM station. According to filings with the FCC, about 18-24 inches of water got into the stations' co-located transmitter building. The stations were off the air overnight on September 24 to about 4 p.m. on September 25 and are now operating at significantly reduced power. KOWZ-FM (licensed for 9.8 kW at 162 meters) and KRUE (Licensed for 100 kW at 189 meters) are using 1 kW back-up transmitters. The stations say the repair schedule is unknown.**

**NEWS ITEM: From Ralph Strobel: Here's some news regarding . . . FM stations in this area. My friend Bob Hawkins, Edinburgh, IN, who is CE for many FM stations, discovered that WWDS 90.5 Muncie, IN has been deleted by the FCC and is off the air for good. A faculty member at Delta High School here ran the station and did a fine job. I suspect he retired two years ago and there was little interest in keeping WWDS on the air. Two years ago two HS girls would set up CD players to play music. Then they would leave for classes. When the CDs came to an end, nothing but dead air for hours. Then about 1 pm they would load up more CDs and leave the studios. No legal IDs ever given. At 3 pm music would stop and the signal was never turned off. Again, no legal IDs given on the hour. At Christmas vacation, spring vacation, and on weekends the signal was always on the air with no IDs. Looks like the frequency is up for grabs if anyone wants it.®**

**[Another sad tale about unregulated radio in the U.S. - Editor]**

\*\*\*\*\*  
**Thanks to Shawn Axelrod, Bruce Elving, Deane McIntyre, Ralph Strobel, Radio World Online and Upper Midwest Broadcasting for news.**  
**If you hear any changes occur on your FM dial, share the news! 73**  
 \*\*\*\*\*

# FCC FM FACILITIES

November 2010

AF	Applied For (a new station)	PC	Power (and/or tower height) change on the air
Aux	Auxiliary (backup) transmitter	PG	Power change granted
CC	Callsign change	PR	Power change requested
CL	City-of-license change	RA	Returns to the air
DE	License/permit deleted	RE	Reinstated (previously-dismissed app.)
FC	Programming (format) change	ROA	Request of Applicant
FTP	Failure to Prosecute	SI	Off the air (silent)
LC	License to Cover	STA	Special Temporary Authority
NS	Permit granted for new station	XC	Transmitter site changed
NW	New station on the air	XG	Transmitter site change granted
PA	Proposed Amendment	XR	Transmitter site change requested

## Changes:

AB Grande Cache	93.3	CFXG	QG from 1230 AM, 190w/-82m	AR Walnut Ridge	101.7	KIYS	QC from 106.3, 10.5kw/327m, 35-57-14/90-41-41
AK Bethel	91.7	KJNR	CC for NS	AR Walnut Ridge	106.3	KIYS	CC form KRLW-FM
AK Buckland (KOTZ)	91.9	NEW	NS 10w-V/-79m, 66-58-42/161-07-34	AZ Bisbee	88.9	NEW	AF dismissed (Christian Ministries of the Valley)
AK Deering (KOTZ)	91.9	NEW	NS 10w-V/-12m, 66-04-32/162-43-21	AZ Chino Valley	92.5	KBTK	CC for NS
AK Fairbanks	89.1	KRFF	CC for NS	AZ Chino Valley	92.5	KFLX	CC from KBTK
AK Homer 91.3		KBBI-FM	CC for NS	AZ Duncan	89.7	NEW	AF dismissed (Duncan Unified School Dist.)
AK Hoonah	90.7	KHOO	NW 10w-V/-89m, 58-06-33/135-26-27	AZ Huachuca City	88.5	NEW	AF dismissed (Cochise Community Radio Corp.)
(10-watters are still allowed in Alaska...)				AZ Kachina Village	105.1	KBTK	CC from KFLX
AK Juneau	88.1	KCAI	CC from KAIS	AZ Nogales	88.3	NEW	AF dismissed (5. Centro Cristiano de Fe)
AK Juneau	89.7	KLSF	CC from KGCF	AZ Nogales	88.3	NEW	AF dismissed (De La Cruz International Ministries)
AK Juneau	90.5	KGCF	CC from KLSF	AZ Palominas	88.3	NEW	AF dismissed (Iglesia Jesucristo es mi Refugio de Austin)
AK Kasilof	90.5	KRAW	CC from KWMD	AZ Parker	95.7	KPKR	PC>1.7kw/283m, 34-07-29/114-12-38
AK Kivalina (KOTZ)	91.9	NEW	NS 10w-V/7m, 67-43-35/164-32-17	AZ Parker	95.7	KPKR	QR from 97.3, 3.2kw
AK Nome	89.3	KQQN	CC for NS	AZ Patagonia	88.5	NEW	AF dismissed (Cochise Community Radio Corp.)
AK Nome	89.3	KQQN	PG>2kw-V/-22m (drop H)	AZ Rio Rico	107.9	KCKO	
AK Noorvik (KOTZ)	91.9	NEW	NS 10w-V/10m, 66-50-00/161-02-45	AZ Sierra Vista	88.9	NEW	AF dismissed (KUAT)
AK Red Dog Mine (KOTZ)	91.9	NEW	NS 10w-V/19m, 67-35-49/163-59-43	AZ Tombstone	88.9	NEW	AF dismissed (Cochise Community Radio Corp.)
AK Red Dog Mine (KOTZ)	91.1	NEW	NS 10w-H/10m, 68-04-21/162-51-24	AZ Tonto Basin	106.7	KNKI	PR<175w/1001m, 33-54-18/111-24-28; CL from Pinetop dismissed ROA
AK Sitka	88.9	KQOS	CC for NS	AZ Willcox	88.7	NEW	AF dismissed (Community Radio Foundation of Florida)
AK Sitka	89.3	KQOS	NW 500w-V/-152m, 57-03-02/135-20-02	AZ Willcox	88.7	NEW	AF dismissed (Educational Broadcast Service)
AK Sterling	90.1	KWMD	CC from KRAW	AZ Willcox	89.1	NEW	AF dismissed (Diamond Mountain)
AL Atmore	105.9	WBZR-FM	CC from WNSI-FM	AZ Willcox	89.1	NEW	AF dismissed (St. Paul Cultural Broadcasting)
AL Boligee	107.3	WQZZ	CC from WXMV	BC 100 Mile House	101.7	NEW	AF 1.8kw/568m, country/pop
AL Camden	90.5	WQLS	CC for NS	BC Golden	106.3	CKGR	QG from 1400 AM, 890w/-373m, 51-16-25/116-59-21 (same site as CBXE-FM 101.7)
AL Eutaw	104.3	WWPG	CC from WQZZ	CA Angeles Camp	90.7	NEW	AF dismissed (Centro Palebra de Fe Church)
AL Goodwater	91.1	WFAZ	CC from WQLS	CA Angels Camp	90.7	NEW	AF dismissed (CSN)
AL Monroeville	88.9	WILF	PG>65kw/118m, 31-18-13/87-02-50	CA Avenal	88.7	KZAV	CC for NS
AL Tuskegee	95.9	WQSI	CC from WTGZ	CA Borrego Springs	91.3	NEW	NS 6kw/-347m, 33-14-39/116-22-30 (Borrego Springs Christian Center)
AL Union Springs	93.9	WTGZ	CC from WQSI	CA Cambria	105.3	KCJZ	CC for NS
AL Valley	95.3	WRLD	CC from WRLD-FM	CA Coachella	93.7	KCLB-FM	PG 50kw/116m, 33-52-15/116-13-37
AL York	91.3	WSJA	CC for NS	CA Ellwood	94.5	KFYZ	CC from KIST-FM
AR Calico Rock Fellowship)	88.9	NEW	AF dismissed (Calico Rock Mennonite)	CA Ellwood	94.5	KFYZ	CC from KIST-FM
AR College City Media)	88.9	NEW	AF dismissed (American Heritage)	CA Ellwood	94.5	KIST-FM	CC from KSPE-FM
AR Crawfordsville	101.9	KWNW	CC from KIYS	CA Goleta	106.3	KRRF	CC from KMGQ
AR Crawfordsville	101.9	KWNW	CC from KIYS	CA Gualala	88.3	KGUA	PG>2.8kw/240m, 38-49-30/123-34-19
AR Forrest City	91.5	KSIP	CC for NS	CA Hemet	102.5	NEW	AF 4.7kw/108m; amendment from 5kw
AR Fulton	88.7	NEW	AF dismissed (The Newgate Group)	CA Huron	98.3	KZLA	PG>6kw/55m, 36-16-39/120-06-08
AR Hot Springs Broadcasting Ministry)	88.7	NEW	AF dismissed (Maranatha)	CA Jamestown	90.7	NEW	AF dismissed (KAWZ)
AR Jonesboro	89.7	KJSA	CC for NS	CA Lancaster	106.3	KGMX	CC from KQAV
AR Joplin	88.7	NEW	AF dismissed (KMZD Radio)	CA Lancaster	106.3	KGMX	CC from KQAV
AR Lake Hamilton	88.7	NEW	AF dismissed (KHCB)	CA Lancaster	106.3	KQAV	CC from KGMX
AR Manderville	88.3	NEW	AF dismissed (WPCS)	CA Livermore	107.3	KLVS	req. CL from Stockton
AR Manderville Ministries)	88.3	NEW	AF dismissed (From His Heart)	CA Los Angeles (aux)	105.1	KKGO	NW 35kw/195m, 34-09-49/118-11-44
AR Merigold	89.5	WXEC	CC for NS	CA Magalia	100.3	KVXX	PR>3.2kw/139m, 39-48-25/121-37-35; CL from Quincy
AR Monticello	90.7	KUEC	CC for NS				
AR Russellville	88.7	NEW	AF dismissed (Way FM)				
AR Searcy Foundation)	88.7	NEW	AF dismissed (Educational Media)				
AR Star City	91.5	KQEC	CC for NS				
AR Vilonia	88.7	NEW	AF dismissed (CSN)				
AR Walnut Ridge	101.7	KIYS	CC from KRLW-FM				



CA Merced	90.7	NEW	AF dismissed (5.	FL Estero	92.5	WFSX-FM	CC from WFSX
CA Merced Church)	90.7	NEW	AF dismissed (Centro Palebra de Fe	FL Fort Myers	91.9	WMYE	PG>350w/300m, 26-48-01/81-45-48
CA Merced	90.7	NEW	AF dismissed (CSU Sacramento)	FL Goulds	98.3	WRTO-FM	CC from WURM
CA Merced Broadcasting)	90.7	NEW	AF dismissed (Family Life	FL Goulds	98.3	WURM	CC from WRTO-FM
CA Merced	90.7	NEW	AF dismissed (University of California)	FL Gulfport	103.5	WFUS	PG 65kw/472m, 27-49-10/82-15-39
CA Mono Vista	90.7	NEW	AF dismissed (Centro Cristiano Sion)	FL Holly Hill	103.3	WVYB	PC>6kw
CA Morgan Hill	89.9	NEW	AF 145w/63m, 37-03-22/121-40-26;	FL Homosassa	99.9	WICE	CC for NS
amendment to correct coordinates				FL Homosassa	99.9	WWHF	CC from WICE
CA Morgan Hill	89.9	NEW	NS 145w/63m, 37-03-22/121-40-26	FL Homosassa	99.9	WXJB	CC form WWHF
(Common Frequency)				FL Horseshoe Beach	94.7	NEW	AF reinstated 19kw/117m, 29-26-28/83-17-15 (Florida Community Radio)
CA Moss Beach	89.3	KARC	CC from KLSI	FL Inglis	104.3	WOGF	CC from WIFL
CA Quincy	100.3	KVXX	CC from KHGQ	FL Jacksonville	90.1	NEW	AF dismissed (Holguy Sainthilaire)
CA Red Bluff	102.7	KKRO	CC from KLVV	FL Key West	104.9	WXXW	CC for NS
CA Redding	91.5	KLVV	CC from KKRO	FL Lake City	90.1	NEW	AF dismissed (Call Communications Group)
CA Ridgecrest	90.5	KRSR	CC for NS	FL Lake City	90.1	NEW	AF dismissed (Community Radio Foundation of Florida)
CA Rincon	89.5	NEW	AF dismissed (Iglesia Alto Refugio)	FL Lake City	90.1	NEW	AF dismissed (Lake City Christian Radio)
CA Rosamond	93.5	KGMX	CC from KLKX	FL Okeechobee	106.1	WAFM-FM	CC from WMQJ
CA Rosamond	93.5	KQAV	CC from KGMX	FL Okeechobee	106.1	WMQJ	CC for NS
CA Rosamond	93.5	KQAV	CC from KGMX	FL Orange Park	91.7	WTRJ-FM	CC from WJBC-FM
CA Sacramento	103.5	KHHM	CC from KBMB	FL Orange Park	91.7	WTRJ-FM	PG 6.1kw/204m, 30-16-34/81-33-51
CA San Bernardino	99.9	KOLA	AF 1kw/497m (aux)	FL Orange Park	91.7	WTRJ-FM	PR 6.1kw/204m, 30-16-34/81-33-51
CA San Bernardino	99.9	KOLA	NS 1kw/497m (aux)	FL Orange Park	91.7	WTRJ-FM	PR 6.1kw/204m, 30-16-34/81-33-51
CA San Bernardino	99.9	KOLA	NW 1kw/497m (aux)	FL Palm Beach Gardens	99.5	WLLY-FM	CC from WAFM-FM
CA San Francisco	96.5	KOIT	CC from KOIT-FM	FL Palm Coast	91.1	WHYZ	NW 4kw-V/47m (aux)
CA San Mateo	91.1	KCSM	NW 8.9kw/102m (aux)	FL Pierson	91.7	WDOZ	PR>6.3kw H&V (add H)
CA San Mateo	91.1	KCSM	PC<11kw, 37-32-08/122-20-00	FL Sarasota	89.1	WSMR	PG 55kw/115m
CA Santa Barbara	107.7	KFYZ	CC from KIST-FM	FL Sarasota	89.1	WSMR	PR 55kw/115m
CA Santa Barbara	107.7	KIST-FM	CC from KFYZ	FL Tampa	100.7	WMTX	PG>96kw/472m, 27-49-10/82-15-39
CA Santa Barbara	107.7	KIST-FM	CC from KFYZ	FL Tampa	93.3	WFLZ-FM	PG>97kw/472m, 27-49-10/82-15-39
CA Scotts Valley	89.3	NEW	AF RE 4kw/90m, 37-49-33/100-10-41 (CSN)	FL Brunswick	90.3	NEW	AF dismissed (Clean Air Broadcasting Corp.)
CA Shasta Lake City	99.3	KQMS-FM	CC from KNNN	GA Columbus	90.5	WFRC	PR>25kw/73m, 32-25-58/84-57-02
CA Sonora	90.7	NEW	AF dismissed (De La Cruz International Ministries)	GA Fort Benning South	99.3	WKNL	PR 29kw/167m, 32-27-59/85-03-22;
CA Stockton	100.1	KQOD	XG 37-59-48/121-12-16	CL from Lumpkin; amendment from			32kw/158m
CA Susanville	100.7	KGXX	CC for NS	GA Hawkinsville	88.5	WHGA	CC for NS
CA Susanville	96.3	KAJK	CC from KLZN	GA Norwood	91.5	WJGS	PR 14.3kw/70m, 33-30-14/82-46-13;
CA Temecula	88.9	KSDW	CC from KRTM	CL from Thomson			
CA Tracy	89.5	KYNJ	CC for NS	GA Pelham	90.9	WABW-FM	CC for NS
CA Tracy	90.7	KAIS	CC form KYKL	GA Rocky Ford	106.5	WZBX	PC>25kw/95m, 32-43-57/81-51-43
CA Willow Creek	99.5	NEW	PA, class A. To allow permittee for	GA Roswell	107.5	WAMJ	PR 33kw/185m, 33-55-01/84-12-06
98.5 here to move to 98.7 C1 at Loleta.				GA Saint Mary's	90.3	NEW	AF dismissed (Community Public Radio)
CA Yucca Valley	88.1	KRTM	CC from KYWY	GA St. Marys	90.3	NEW	AF dismissed (Cumberland Island Environmental Education Foundation)
CO Alamosa	89.1	NEW	FC; sold to R. Bilingue	GA Tallapoosa	98.9	WPPI	CC for NS
CO Aspen	93.5	KTND	CC from KVVO	GA Tallapoosa	98.9	WWGA	CC from WPPI
CO Atwood	88.5	NEW	AF dismissed (KAWZ)	GA Tallapoosa	98.9	WWGA	CC from WPPI
CO Brush	88.3	NEW	AF dismissed (Wren Communications)	GA Tallapoosa	98.9	WWGA	NW 1.85kw/182m, 33-39-03/85-17-41
CO Calhan	104.7	KKHN	PR>6kw/100m, 39-00-20/104-32-09	GA Tallapoosa	98.9	WWGA	NW 1.85kw/182m, 33-39-03/85-17-41
CO Durango	105.3	NEW	NS 25kw/89m, 37-15-43/107-54-22	GA Waverly Hall	95.7	WIOL-FM	CC from WIOL
CO El Jebel	100.5	KGHT	CC from KCUF	GA Waycross	103.3	WQGA	CC from WWSN
CO Fort Morgan	88.3	NEW	AF dismissed (The Praise Network)	GA Waycross	103.3	WQGA	CC from WWSN
CO Greenwood Village	102.3	KDSP	CC form KCUV	GA Woodbine	90.3	NEW	AF dismissed (Calvary Fellowship)
CO Gunnison	88.7	KGNI	CC for NS	GA Woodbine	90.3	NEW	AF dismissed (Grace Public Radio)
CO Gypsum	102.5	KQSE	PG>1.35kw	GU Tamuning	101.1	KNUT	CC from KCNM-FM
CO Gypsum	102.5	KQSE	PR>1.35kw	HI Hana	88.3	KHPH	PR>-42m, 20-45-04/156-00-17; drop
CO Lamar	90.7	NEW	PR>12kw/100m	V & go H-only			
CO Leader	88.9	NEW	AF dismissed (De Mujer a Mujer International)	HI Honolulu	93.9	KHJZ	CC from KIKI-FM
CO Limon	103.1	KLBO	CC from KAVD	HI Honolulu	93.9	KHJZ	CC from KIKI-FM
CO Limon	89.5	KYCO	PR>50kw/28m, 39-28-12/103-38-14	HI Kailua-Kona	91.3	KDVE	CC for NS
dismissed; refilled with frequency change to 89.5				HI Kailua	88.7	KIPH	CC for NS
CO Living Springs	88.9	NEW	AF dismissed (CSN)	IA Arthur	89.1	NEW	AF dismissed (Breath of the Spirit Ministries)
CO Loveland	89.7	KXWA	FC; sold to CSN	IA Jefferson	89.1	NEW	AF dismissed (Harvest Time Apostolic Ministries)
CO Montrose	89.1	KVMT	PC>8kw/482m	IA Sheldon	91.3	NEW	AF dismissed (Silver Fish Broadcasting)
CO Silverthorne	91.7	NEW	NS 3.5kw-V/529m, 39-27-35/105-58-44 (KUNC)	IA Tabor	89.3	KHLW	CC for NS
CO Strasburg	101.5	KJHM	CC from KTNI-FM	IA Villisca	95.3	KCSI	PC>26kw
CO Strasburg International)	88.3	NEW	AF dismissed (De Mujer a Mujer International)	ID Ashton	91.3	NEW	NW 200w/198m, 44-10-30/111-25-47 (calls?!)
CT Pawcatuck	89.5	NEW	NS 1.8kw-V/72m, 41-23-03/71-40-14	ID Weiser	97.3	NEW	AF 100kw/298m, 44-22-57/117-24-52
(Academy of St. Therese)				reinstated (Blessed Sacrament Catholic Church of Ontario)			
DE Bethany Beach	95.9	WOSC	NW 2.8kw/107m (aux)	ID Ketchum	89.3	KDPI	CC for NS
DE Dover	91.1	WDDE	CC for NS	ID Victor	92.3	KIXM	CC from KRVO
DE Georgetown	91.7	NEW	AF dismissed (WVUD)	IL Antioch	88.5	NEW	AF dismissed (WFEN)
DE Seaford	91.7	NEW	AF dismissed (Iglesia Cristiana Ebenezer)	IL Arcola	88.5	NEW	AF dismissed (Good News Radio)
FL Big Cypress	89.1	WHSI	CC for NS	IL Arcola	88.5	NEW	AF dismissed (Jill Walker Ministries)
FL Brighton Reservation	91.9	WTIR	CC for NS	IL Bluford	90.9	WVYN	PG>11kw/64m, 38-13-10/88-37-47
FL Charlotte Harbor	92.9	WIKX	PR>3.1kw/246m, 26-53-47/82-14-27 (aux)	IL East Moline	101.3	KUUL	CC from WLLR
FL Clermont	88.7	WMYZ	PG 7.2kw-V/114m CX ROA	IL Fairbury	107.7	WIBL	CC from WYST
FL Clermont	88.7	WMYZ	PR>7.2kw/113m	IL Fairbury	107.7	WIBL	CC from WYST
FL Columbia International)	90.1	NEW	AF dismissed (De Mujer a Mujer International)	IL Fithian	88.3	NEW	AF dismissed (Tightrope Broadcasting)
FL Cutler Bay	90.9	WLFE	CC from WGES-FM	IL Kincaid	89.1	WHJH	FC; sold to WIBI

IL Lexington	99.5	WZIM	CC from WDQZ	KY Prospect	98.9	WNRW	NS 1.5kw/205m, 38-03-50/85-43-52
IL Lexington	99.5	WZIM	CC from WDQZ	(aux)			
IL Lincoln	88.9	WLNK	QR from 89.5, 225w/21m, 40-09-23/89-21-40; 89.5 facilities are only a CP, station wants to surrender CP and return to existing	LA Abbeville	105.1	KFTE	CC from KPEL-FM
IL Macomb	90.5	NEW	NS 10kw-V/90m, 40-25-59/90-31-12 (Cornerstone Community Radio)	LA Alexandria	89.5	KAEC	CC for NS
IL McHenry	89.1	NEW	AF dismissed (Appalachian Educational Communication Corp.)	LA Baker	107.3	WYPY	CC from WTGE
IL Pontiac	93.7	WJBC-FM	CC from WTRX-FM	LA Baton Rouge	100.7	WTGE	CC from WYPY
IL Ridge Farm	88.3	NEW	AF dismissed (Connersville Apostolic Lighthouse Inc.)	LA Breaux Bridge	96.5	KPEL-FM	CC from KFTE
IL Riverstream	89.1	NEW	AF dismissed (Primera Iglesia Evangelica de Apostoles y Profetas)	LA Buras	91.1	KGUL	CC for NS
IL Round Lake Beach	89.1	NEW	AF 1.9kw-V/34m, 42-18-54/88-06-25 (EMF)	LA Delta	92.7	KSBW	CC for NS
IL Round Lake	89.1	NEW	AF dismissed (Clean Air Broadcasting Corp.)	LA Houma	104.1	KOBW	CC from KYRK
IL Ste. Marie	88.5	NEW	AF dismissed (Harvest Christian Fellowship)	LA Jonesville	105.1	KZKR	CC from KTGTV
IL Watseka	88.9	NEW	AF dismissed (Good News Radio)	LA Lafayette	90.9	KIKL	PR>8.2kw/114m, amendment from 1.63kw/69m at different site
IL Wauconda	89.1	NEW	AF dismissed (CSN)	LA Lake Charles	99.5	KNGT	PC>357m, 30-17-26/93-34-35
IL Waukegan	88.3	NEW	AF dismissed (Family Life Broadcasting)	LA Lake Providence	89.1	KLEC	CC for NS
IN Battle Ground	88.9	NEW	AF dismissed (Bethel Christian Life Center)	LA Laplace	92.3	WRKN	CC from WDWV
IN Columbus	90.3	WKJD	NW 3.4kw/82m, 39-11-10/85-57-29	LA Opelousas	103.7	KLWB-FM	CC for NS
IN Crawfordsville	89.5	NEW	AF dismissed (Linda Jerome Foundation)	LA Pearl River	88.7	WOTB	CC for NS
IN Delphi	89.5	NEW	AF dismissed (Indiana Educational Broadcast Corp.)	LA Sidell	91.3	NEW	AF 100w-H/22.85kw-V/85m, 30-32-09/89-51-52; amendment from 10kw-H/16.808kw-V/120m at different site
IN Greencastle	90.5	WQRA	PR<8.1kw/136m, 39-35-22/86-33-02; amendment from 8kw-V/129m at slightly different site	MA Bayview	88.5	WPMW	PR<140w/54m, 41-38-23/70-58-05
IN Greensburg	89.9	NEW	NS 700w/32m, 39-17-48/85-25-17 (Connersville Apostolic Lighthouse Inc.)	MA Boston	103.3	WODS	PG8.7kw/351m
IN Jeffersonville	95.7	WQMF	NS 2.5kw/205m, 38-03-50/85-43-52 (aux)	MA Boston	103.3	WODS	PR 8.7kw/351m
IN Kokomo	89.7	NEW	AF dismissed (Friends of Radio Maria)	MA Deerfield	91.7	WNNZ-FM	CC from WGAI
IN Kokomo	89.7	NEW	AF dismissed (Temple Baptist Church)	MA Deerfield	91.7	WNNZ-FM	CC from WGAI
IN Kokomo	89.7	NEW	AF dismissed (WFIU)	MA East Brookfield	91.1	NEW	AF dismissed (Galaxy Radio)
IN Lafayette	89.5	NEW	AF dismissed (Family Radio)	MA Marion	88.5	WATA	NW 100w/16m, 41-42-32/70-45-57
IN Lafayette	89.5	NEW	AF dismissed (Hoosier Broadcasting Corp.)	MA Milford	91.5	NEW	AF dismissed (The Marconi Broadcasting Foundation)
IN Madison	100.9	NEW	AF dismissed (Cornerstone Community Fellowship at Madison) (73.207)	MA Orleans	91.3	WFMR	NW 1.15kw/86m, 41-46-36/70-00-40
IN Madison	100.9	NEW	PR 6kw/47m, 38-48-20/85-19-41 amend; amendment from 2.75kw/149m at different site	MA Palmer	91.5	NEW	AF dismissed (Quaboag Hills Public Radio)
IN Muncie	90.5	WWDS	CX ROA	MA Palmer	91.5	NEW	AF dismissed (Quaboag Hills Public Radio)
IN Nappanee	95.7	WAOR	CC from WYPW	MA Stockbridge	91.9	WDVN	CC from WDMY
IN Otterbein	89.5	NEW	AF dismissed (Basalt of the Earth)	MA Stow	91.7	WUMG	CC for NS
IN Rossville	88.3	NEW	AF dismissed (WPCS)	MA Ware	91.5	NEW	AF dismissed (Amfmtech Educational Broadcasting)
IN Rushville	91.9	WRLN	CC from WMUI	MA Ware	91.5	NEW	AF dismissed (WBUR)
IN Salme	98.9	WNRW	CC from WZKF	MA West Brookfield	91.5	NEW	AF dismissed (Home Improvement Ministries)
IN Shadeland	88.9	NEW	AF dismissed (Friends of Radio Maria)	MA Whitinsville	91.5	NEW	AF dismissed (Horizon Christian Fellowship)
IN Sheridan	89.7	NEW	AF dismissed (Horizon Christian Fellowship of Indianapolis)	MB Virden	103.3	NEW	NS 3.44kw/38m, variety
IN Tipton	89.7	NEW	AF dismissed (Electronic Applications Radio Service)	MD California	91.7	NEW	AF dismissed (JKJ Educational Foundation)
IN Tipton	89.7	NEW	AF dismissed (Linda Jerome Foundation)	MD Cambridge	91.7	NEW	AF dismissed (Allegheny East Conference Corp. of Seventh-Day Adventists)
IN Veedersburg	88.5	NEW	AF dismissed (Good Samaritan Educational Radio)	MD Cambridge	91.7	NEW	AF dismissed (Salisbury University Foundation)
IN Williamsport	88.5	NEW	AF dismissed (The Dwelling Place)	MD Church Creek	91.7	NEW	AF dismissed (Hope Christian Church of Marlton)
IN Wolcott	88.9	NEW	AF dismissed (Community Radio for Hoosiers)	MD Lexington Park	91.7	NEW	AF dismissed (American Educational Broadcasting)
IN Woodburn	91.3	WRRF	CC for NS	MD Lexington Park	91.7	NEW	AF dismissed (Calvary Broadcasting)
IN Yeoman	89.5	NEW	AF dismissed (Community Radio for Hoosiers)	MD Lexington Park	91.7	NEW	AF dismissed (Hispanic Family Christian Network)
KS Baxter Springs	88.1	NEW	AF dismissed (WVCY)	MD Oxford	91.7	NEW	AF dismissed (Priority Radio)
KS Columbus	88.1	NEW	AF dismissed (Catholic Hour)	MD St. Mary's City	91.7	NEW	AF dismissed (St. Mary's College of Maryland)
KS Columbus	88.1	NEW	AF dismissed (CSN)	ME Corinth	90.3	WTPP	CC from WWCX
KS Elk City	94.9	KBIK	CC for NS	ME Gouldboro	101.1	WTUX	CC from WLEK
KS Elk City	94.9	KBIP	CC from KBIK	ME Madawaska	88.3	WFHP	CC for NS
KS Elk City	94.9	KIND-FM	CC from KBIP	ME North Windham	106.7	WXTP	CC from WHXR
KS Goodland	88.3	KLXG	CC from KDOO	ME Scarborough	106.3	WHXR	CC from WHXQ
KS Independence	102.9	KBIK	CC from KIND-FM	ME Scarborough	106.3	WHXR	CC from WHXQ
KS Nashville	88.5	NEW	AF dismissed (Harvest Time Apostolic Ministries)	ME York	90.5	WTYP	CC for NS
KS Topeka	100.3	KDVV	PR>451m	MI Alpena	91.7	WCML-FM	PC 92kw/364m
KY Gamaliel	89.1	NEW	AF dismissed (Caleb Radio Network)	MI Carrollton	100.5	WSGW-FM	NS 3kw/100m (aux)
KY Louisville	100.5	WLGX	NS 1.5kw/205m, 38-03-50/85-43-52 (aux)	MI China Township	91.5	WVMV	CC for NS
KY Mount Sterling	105.5	WWRW	CC from WMKJ	MI Coldwater	90.1	WYBA	CC from WCWB
KY Nortonville	88.1	NEW	NS 600w/85m, 37-09-03/87-27-35 (WCVK)	MI Crystal Valley	89.1	WSMZ	CC for NS
				MI Detroit	98.7	WDZH	CC from WVMV
				MI Greilickville	88.3	WTCY	CC for NS
				MI Grosse Point Shores	88.3	WDTE	CC for NS
				MI Harbor Beach	89.3	WSMB	CC for NS
				MI Hubbardston	103.7	NEW	AF dismissed
				MI Huron Township	89.5	WDTP	CC for NS
				MI Marquette	91.5	WUPX	PG>1.7kw/126m, 46-30-52/87-29-07
				MI Niles	95.3	WTRC-FM	CC from WAOR
				MI Republic	96.7	WUPG	PR>50kw/107m
				MN Hawley	89.1	KNNZ	CC for NS
				MN Minneapolis - St. Paul	91.1	KNOW-FM	PG<389m
				MN Newport	88.1	WAJC	CC for NS
				MN Rochester	88.7	KMSE	PC>850w H&V
				MN White Earth	89.9	KKWE	CC for NS

MO Bridgeton	100.3	WSDD	PC<17kw/120m, 38-41-07/90-22-54;	NJ Ocean Acres	98.5	WHTG-FMCC from WKMK
CL from Alton, Illinois				NJ Ocean City	102.7	WWAC CC from WJSE
MO Chillicothe	90.3	KCKE	PR 32kw/82m, 39-46-53/93-18-10	NM Alamogordo	90.9	NEW AF dismissed (Iglesia Shekira)
MO Clayton	99.1	KLJY	CC from KFUD-FM	NM Alamogordo	90.9	NEW AF dismissed (KRWG)
MO Clinton	90.5	KJGC	CC for NS	NM Chaparral	90.3	NEW AF dismissed (El Paso Counts)
MO Diamond	88.1	NEW	AF dismissed (Nassuna Broadcasting)	NM Clayton	90.5	KUHC CC from KLXM
MO Kansas City	99.7	KGEX	CC from KKSNN	NM Cloudcroft	90.9	NEW AF dismissed (Earthrise Institute)
MO Kirksville	90.7	KVSR	CC from KHGN	NM Corrales	95.1	KLOT CC from KSYU
MO Leadwood	107.1	KLMZ	CC for NS	NM Deming	89.5	NEW AF dismissed (R. Bilingue)
MO Leadwood	107.1	KLMZ	NW 100w/185m, 37-48-04/90-33-44	NM Deming	90.3	NEW AF dismissed (De La Cruz
MO Madison	97.3	KTCM	CC from KCDG	International Ministries)		
MO Maryville	97.1	KVVL	CC from KNIM-FM	NM Deming	90.3	NEW AF dismissed (K.C. Home Assn.)
MO Maryville	97.1	KVVL	CC from KNIM-FM	NM Dexter	90.5	NEW AF dismissed (Roswell Humane
MO Ozark	92.9	KOSP	CC from KOMG	Society)		
MO Ozark	92.9	KOSP	CC from KOMG	NM Fruitland	91.7	KTGW PC 12.5kw/120m
MO Willard	105.1	KOMG	CC from KOSP	NM Gallup	90.1	KNIZ QG from 89.9, 600w/38m, 35-29-
MO Willard	105.1	KOMG	CC from KOSP	39/108-44-32		
MP Garapan	91.5	KMOP	CC for NS	NM Gallup	99.1	KGLX CC form KUUL
MS Collinsville	103.3	WZKR	PC 13kw/106m, 32-20-39/88-42-40	NM Hatch	90.1	NEW AF dismissed (R. Bilingue)
MS Flora	103.9	WYAB	PC>99m, 32-26-49/90-18-08	NM Lordsburg	88.9	NEW AF dismissed (KRWG)
MS Greenville	97.9	WLTM	CC from WBAQ	NM Lordsburg	89.1	NEW AF dismissed (Cochise Community
MS Hattiesburg	88.5	WUSM-FMPC	>129m, 31-18-26/89-24-47	Radio Corp.)		
MS Itta Bena	89.7	WZEC	CC for NS	NM Lordsburg	89.9	NEW AF dismissed (KRWG)
MS Meridian	102.1	WALT-FM	CC from WUCL	NM Raton	88.9	NEW FC; sold to R. Bilingue
MS Meridian	102.1	WALT-FM	CC from WUCL	NM Red River	91.3	KWAS NW 2kw/273m, 36-43-44/105-25-29
MS Vicksburg	91.5	WVAV	CC for NS	NM Roswell	90.9	NEW AF dismissed (Available Media)
MT Anaconda	88.1	NEW	AF dismissed (Hi-Line Radio	NM Roswell	90.9	NEW AF dismissed (Everlasting King
Fellowship)				Ministries)		
MT Arlee	90.3	KJFT	PC>400w-V (drop H)	NM Ruidoso	90.3	NEW AF dismissed (Christian Business
MT Belt	88.1	KGfJ	PR>250w/597m, 47-09-34/111-00-39	Owners of Lincoln Co.)		
MT Billings	103.7	KMHK	CC form KBBB	NM Ruidoso	90.3	NEW AF dismissed (Sky High Broadcasting)
MT Billings	88.7	NEW	AF dismissed (Double Edge	NM Ruidoso	90.5	NEW AF dismissed (KTLW)
Productions)				NM Ruidoso	90.5	NEW AF dismissed (Oscar Aguero Ministry)
MT Billings	93.3	KURL	CC from KYVA-FM	NM Salem	89.5	NEW AF dismissed (Iglesia Shekira)
MT Billings	93.3	KURL	CC from KYVA-FM	NM San Antonio	90.5	NEW AF dismissed (Iglesia Shekira)
MT Bozeman	88.5	NEW	AF dismissed (Family Radio)	NM Santa Rosa	95.9	KSSR-FM CC form KKJY
MT Bozeman	88.5	NEW	AF dismissed (KUFM)	NM Silver City	88.9	NEW AF dismissed (Community Access
MT Butte	88.1	NEW	AF dismissed (Mission Valley	Television of Silver City)		
Christian Fellowship of San Diego)				NM Silver City	89.1	NEW AF dismissed (Colina Alta Ministries)
MT Butte	88.1	NEW	AF dismissed (Queen of Victory	NM Silver City	89.3	NEW AF dismissed (KRWG)
Educational Radio Assn.)				NM Silver City	89.5	NEW AF dismissed (Cochise Community
MT Emigrant	88.5	NEW	AF dismissed (Montana State	Radio Corp.)		
University Billings)				NM Silver City	89.7	NEW AF dismissed (Community Access
MT Hamilton	89.5	KBGR	CC for NS	Television of Silver City)		
MT Hardin	88.3	NEW	AF dismissed (Hi-Line Radio	NM Truth or Consequences	88.7	KBWK CC for NS
Fellowship)				NM Truth or Consequences	89.5	NEW AF dismissed (Sky High
MT Harrison	88.1	NEW	AF dismissed (Harrison School Dist.	Broadcasting)		
#23)				NM Truth or Consequences	90.3	NEW AF dismissed (KRWG)
MT Helena	88.1	NEW	AF dismissed (Western Family	NM Truth or Consequences	90.3	NEW AF dismissed (Tixx for
Television)				Kids)		
MT Kalispell	88.7	KLKM	PG 3.3kw/785m	NS Halifax	105.1	CKHY-FM PR>100kw/185m, 44-38-47/63-39-37
MT Livingston	88.1	NEW	AF dismissed (Mountain Air Radio)	NV Elko	94.5	KZBI CC from KOYT
MT Livingston	90.1	KYPM	PG<440w/265m	NV Elko	94.5	KZBI CC from KOYT
MT Toston	88.3	NEW	AF dismissed (Broadwater Co.	NV Elko	94.5	KZBI PG<17.6kw
Disaster & Emergency Services)				NV Henderson	100.5	KXNT-FM CC from KKJJ
MT Willowcreek	88.5	NEW	AF dismissed (Willow Creek School	NV Henderson	100.5	KXNT-FM CC from KKJJ
Dist. 15)				NV Mesquite	90.9	KAIZ QC from 91.1, 500w/232m, 36-53-
MT Worden	95.5	KCHH	CC from KMHK	48/114-17-23		
NC Chadbourn	89.9	WZCO	CC for NS	NV Spring Creek	90.7	KNVQ CC for NS
NC East Fayetteville	88.1	WWFJ	PR>2.5kw/42m, 35-00-04/78-48-33	NV Spring Creek	90.7	KNVQ NW 500w/287m, 40-48-42/115-41-58
NC Havelock	105.1	WLVG	CC from WSSM	NY Albany	103.1	WGY-FM CC from WHRL
NC Murphy	88.5	WMQS	CC for NS	NY Cortland	90.5	WSUC-FMPC>1.4kw
NC Raleigh	94.7	WQDR-FM	CC from WQDR	NY Indian Lake	105.9	WNAK-FMCC for NS
NC Sharpsburg	103.1	WLQC	CC from WNCM	NY Montauk	104.7	WELJ CC from WXML
ND Berthold	100.7	KXNK	CC for NS	NY Olean	91.3	WOLN PC>1kw
ND Mandan	91.3	KPHA	CC for NS	NY Stamford	90.1	WANZ CC for NS
ND South Heart	105.7	KDXN		NY Westhampton	89.1	WEEW CC for NS
ND South Heart	105.7	KDXR	CC from KDXN	OH Bolivar	90.1	WJEE CC for NS
NE Grand Island	91.5	KJWM	PR>11.4kw/180m, 40-43-44/98-34-13	OH Cambridge	88.1	WYBP CC for NS
NE Gretna	90.1	KZLW	CC for NS	OH Celina	96.7	WCSM-FM PR 2.2kw/117m, 40-33-
NE Hay Springs	99.9	NEW	QR from 107.7, 120m, 42-49-47/102-	10/84-31-02		
39-08				OH Dublin	106.7	WCGX CC from WRXS
NE Kearney	91.1	KLPR	PR<31m	OH Edon	89.9	WRRO CC for NS
NE Lincoln	89.3	KZUM	PR<28m	OH Grove City	101.1	WOSA CC from WWCD
NE Norfolk	91.7	KLSB	CC from KSTJ	OH Luckey	107.7	WPFX-FM PC>5.2kw/107m, 41-25-39/83-36-30
NE North Platte	89.3	NEW	PG<690w H&V/164m (add H)	OH McArthur	98.7	WYRO XG 39-09-18/82-35-49
NE North Platte	89.3	NEW	PR<690w-H&V/164m (was V-only)	OH North Baltimore	88.3	WLFC PC>4.6kw/100m, 41-07-04/83-32-38
NH Bow	91.5	WCNU	CC for NS	OH North Madison	93.7	NEW NS 6kw/100m, 41-48-39/81-06-57
NH Bow	91.5	WCNU	PR>190w/144m, 43-07-05/71-32-57	OH Pickerington	103.5	WNND CC from WJZA
NH Dover	89.5	WSCG	CC for NS	OH Pickerington	103.5	WNND CC from WJZA
NJ Canton	101.7	WJKS	NS 4.1kw/77m (aux); NW	OH Richwood	104.3	WNNP CC from WODB
NJ Cape May	91.5	WDBA	CC for NS	OH Richwood	104.3	WNNP CC from WODB
NJ Eatontown	106.3	WKMK	CC from WHTG-FM	OH Riverlea	103.9	WTDA PR 6kw/87m, 39-58-00/83-06-28; CL
NJ Eatontown	106.3	WKMK	CC from WHTG-FM	from Westerville		
NJ North Cape May	106.3	WFNE	QR from 106.7, 6kw/91m, 38-59-	OH Yellow Springs	91.3	WYSO PR>50kw reinstated
45/74-50-19				OH Zanesfield	88.5	WSOH CC for NS
NJ Ocean Acres	98.5	WHTG-FMCC	from WKMK			

OK Broken Arrow NW 31kw/264m (aux)	90.5	KNYD	PC<80kw/452m, 35-53-00/95-46-13;	SD Parker	91.3	NEW	AF dismissed (Community Broadcasting)
OK Caddo (Kansas Catholic Education Radio Corp.)	89.1	NEW	NS 10kw-V/118m, 34-13-18/96-22-25	SD Parker	91.3	NEW	AF dismissed (CSN)
OK Cleveland	91.1	KJOG	PG 25kw/84m	SD Pierre	90.7	KGHW	CC for NS
OK Cordelle	99.3	KCLI-FM	CC from KCDL	SD Sioux Falls (aux)	97.3	KMXC	NS 18kw/53m, 43-35-33/96-38-20
OK Dibble	89.7	KVOY	CC for NS	SD Sisseton	89.9	KXSW	CC for NS
OK Durant	106.3	KLBC	PR 16.5kw/123m, 34-02-12/96-25-37	SD Tea	91.3	NEW	AF dismissed (Educational Media Foundation)
dismissed ROA, but identical new facilities granted				SD Yankton	91.5	NEW	AF dismissed (The Praise Network)
OK Durant	106.3	KLBC	PR; PG 16.5kw/123m, 34-02-12/96-25-37	SD Yankton	91.5	NEW	AF dismissed (WJFM)
OK Loyal	89.3	KIEL	CC for NS	TN Bartlett	94.9	WKVF	PG>11.5kw/109m, 35-08-45/89-48-48
OK Miami Broadcasting)	88.1	NEW	AF dismissed (Community Broadcasting)	TN Byrdstown	88.7	NEW	AF dismissed (Rural Tennessee Educational Foundation) (settlement)
OK Picher Media Corp.)	88.1	NEW	AF dismissed (Creative Educational Media Corp.)	TN Erwin	103.9	WXIS	PR 6kw/100m
OK Seminole	89.1	KXTH	PR>2.62kw/115m	TN Gainesboro	89.1	NEW	AF dismissed (Victor Broadcasting)
ON Cobourg	90.7	NEW	AF 250w/33m, religious adcon	TN Harriman	88.7	NEW	AF dismissed (Roane State Community College)
ON London	98.1	CKLO-FM	PR>40kw/150m, relocate XR	TN Henry	104.7	WRQR	CC from WMUF-FM
ON Perth	88.1	CHLK-FM	PR>5.4kw	TN Livingston Broadcasting)	89.1	NEW	AF dismissed (Cookeville Christian Broadcasting)
ON St. Thomas	94.1	NEW	NS 4.37kw/47m, adcon/oldies	TN Oak Dale (sic) Refugio de San Antonio)	88.7	NEW	AF dismissed (Iglesia Jesucristo es mi Refugio de San Antonio)
OR Astoria	89.7	KOAC-FM	CC from KWYA	TN Oak Ridge (CSN)	88.7	NEW	NS 11kw/148m, 36-06-40/84-35-32
OR Bay City	95.9	KTIL-FM	CC from KIXT	TN Oakdale	88.7	NEW	AF dismissed (Immanuel Broadcasting Network)
OR Bend	92.9	KRFX	CC from KXIX	TN Oliver Springs	88.7	NEW	AF dismissed (Community Radio)
OR Burns	92.7	KORC-FM	CC from KQHC	TN Rickman	89.1	NEW	AF dismissed (Appalachian Performing Arts Inst.)
OR Depoe Bay	91.7	NEW	AF dismissed (OPB)	TN Sweetwater	98.3	WMTY-FM	CC from WLOD-FM
OR Dunes City	90.7	NEW	AF dismissed (UCB USA)	TN Sweetwater	98.3	WMTY-FM	CC from WLOD-FM
OR Florence Broadcasting)	90.3	NEW	AF dismissed (WS Educational Broadcasting)	TN Tusculum	91.1	WZTH	NW 17kw-V/87m, 36-05-53/82-56-37
OR Florence	90.7	NEW	AF dismissed (Lane Co. School District)	TN Wartburg	90.3	WRSB	CC from WLNK
OR Government Camp	94.3	KZPT	CC from KTIL-FM	TX Atlanta	88.1	NEW	AF dismissed (Sisco Ministries Outreach Inc.)
OR Grants Pass	99.3	NEW	GA, class A	TX Brownwood	96.9	KQBZ	CC from KXYL-FM
OR Hines	90.9	KQDL	CC from KHRV	TX Bruni	106.5	KMAE	CC for NS
OR Hood River	90.1	KHRV	CC from KQDL	TX Buffalo Gap	93.3	KBGT	PG>9.4kw
OR Newport Service)	91.3	NEW	AF dismissed (Educational Broadcast Service)	TX Coahoma	105.5	KXCS	CC from KWDC
OR Newport Broadcasting)	91.7	NEW	AF dismissed (Winds of Praise Broadcasting)	TX Coahoma	105.5	KXCS	PR unspecified (I suspect to modify license from commercial to non-commercial operation, belongs to KHCB)
OR Pilot Rock	90.5	KBLU-FM	CC for NS	TX Coleman	102.3	KXYL-FM	CC from KQBZ
OR Port Orford	88.1	KPOZ	CC for NS	TX College Station	95.1	KNDE	PG 38kw/171m, 30-41-15/96-25-32; PC
OR Portland	101.1	KUFO	CC from KUFO-FM	TX College Station	95.1	KNDE	PR>38kw
OR Selma	91.5	NEW	AF dismissed (KBLN)	TX Dumas	91.7	NEW	AF dismissed (AFR)
OR Sunriver	94.1	KXIX	CC from KRFX	TX Eagle Lake	95.3	KJJB	CC for NS
OR Warrenton	89.3	KQAS	CC for NS	TX Eldorado	106.5	KPEP	CC for NS
PA Forest City	100.1	WQFM	CC from WQFN	TX Encinal	102.5	KELT	CC for NS
PA Greenville	107.1	WEXC	FC; sold to K-Love	TX Escobares	104.7	KERG	PR<4.4kw/100m, 26-26-04/98-53-41
PA Kane	103.9	WUMT	CC from WLMI	TX Falcon Heights	88.3	NEW	AF dismissed (World Radio Network)
PA Laporte	90.9	WCIS-FM	CC from WFUZ	TX Floresville	94.1	KTFM	NW 3.9kw/118m (aux)
PA Laporte	90.9	WFUZ	CC from WCIN	TX Hondo	89.9	KHDO	CC for NS
PA Masontown	88.5	WYFU	PG>16kw H&V (add H)/106m	TX Hondo	89.9	KHDO	PG 130w/26m, 29-20-13/99-09-30
PA Masontown	88.5	WYFU	PR>16kw H&V (add H)/106m	TX Horizon City	91.5	NEW	PR>2.3kw/17m, 31-49-21/106-08-22; amendment from 1.1kw/13m at nearby site
PA Mohrsville	89.1	WZMV	CC for NS	TX Humble	89.3	KSBK	PR<19kw/198m
PA Nanticoke	92.1	WFUZ	CC from WQFM	TX Idalou (Ramar Communications)	107.7	NEW	NS 10.5kw/154m, 33-30-08/101-52-20
PA Tunkhannock	91.3	WCIN	CC from WFUZ	TX Ingleside	107.3	KAJE	CC from KRSR
PA Warminster	89.3	WRDV	PR>85w-H/1.6kw-V	TX Ingleside	107.3	KAJE	CC from KRSR
PR Culebra	102.1	WNVE	PR>9.5kw	TX Keene	88.3	KJRN	CC from KJCR
PR Quebradillas	91.7	WDPP	CC for NS	TX Lake Jackson	91.1	KYBJ	PR 9.6kw/58m, 29-00-59/95-23-22
PR San Juan	102.5	WTOK-FM	CC from WIAC-FM	TX Llano (Texas Public Radio)	91.7	NEW	NS 1kw/208m, 30-40-36/98-33-59
QC Mutton Bay CFTH-FM-1 Harrington Harbour	98.5	CFTH-FM-x	AF 145w/158m, to relay	TX Marlin	92.9	KRMX	CC from KLRK
QC Rouyn-Noranda	88.7	CHIC-FM	PG>3.4kw/103m, 48-18-05/79-03-09	TX Morton	91.1	KQOA	CC for NS
RI Forestdale Broadcasting Foundation)	91.5	NEW	AF dismissed (The Marconi Broadcasting Foundation)	TX Mount Pleasant	88.3	KYZQ	CC from KPIP
RI Pascoag	91.5	NEW	AF dismissed (Bryant University)	TX New Boston Broadcasting Corp.)	88.1	NEW	AF dismissed (Millennium Broadcasting Corp.)
RI Woonsocket	91.5	NEW	AF dismissed (RI Public Radio)	TX New Boston Broadcasting)	88.7	NEW	AF dismissed (Community Broadcasting)
SC Chesterfield	89.3	WRFE	CX ROA	TX New Waverly	91.1	KNLY	CC for NS
SC Chesterfield	89.3	WRFE	PR>33kw/86m, 34-45-59/80-15-55	TX Pampa	91.7	NEW	AF dismissed (Great Plains Christian Radio)
SC Cokesbury	91.9	WKRI	PG>25kw-H (was already 25kw-V)	TX Pampa	91.7	NEW	AF dismissed (Top O'Texas Educational Broadcasting Foundation)
SC Cokesbury	91.9	WKRI	PR>25kw-H (already authorized for 25kw-V)	TX Panhandle Evangelica de Apostoles y Profetas)	91.3	NEW	AF dismissed (Primera Iglesia Evangelica de Apostoles y Profetas)
SC Gaffney	91.1	WYFG	PC>204m	TX Pittsburg	103.1	KMPA	CC from KDVE
SC Saluda 04/81-50-23 (Spirit Broadcasting Group)	88.7	NEW	NS 200w-H/20kw-V/80m, 33-59-04/81-50-23	TX Pittsburg	103.1	KMPA	CC from KDVE
SC Winnsboro	93.9	WSCZ	CC from WIGL	TX Port Arthur	88.9	NEW	NS 5.5kw/82m, 29-43-35/93-53-07
SD Canova Church of Amarillo)	91.3	NEW	AF dismissed (Grace Community Church of Amarillo)	TX Rio Grande City the Valley)	88.3	NEW	AF dismissed (Christian Ministries of the Valley)
SD Chamberlain	89.9	KGRJ	CC for NS	TX Rio Grande City	88.3	NEW	AF dismissed (Comunidad Cristiana)
SD Chamberlain	89.9	KGRJ	PG<21.5kw/78m, 43-47-59/99-18-57				
SD Hartford Church of Sioux Falls)	91.3	NEW	AF dismissed (Eastside Baptist Church of Sioux Falls)				
SD Hartford Christian Fellowship)	91.3	NEW	AF dismissed (Mission Valley Christian Fellowship)				
SD Lennox	91.3	NEW	AF dismissed (WVCY)				
SD Mitchell Broadcasting)	91.3	NEW	AF dismissed (Bethesda Christian Broadcasting)				
SD Mitchell	91.9	NEW	AF dismissed (WJFM)				

TX Robinson	107.9	KWPW	CC from KHCK-FM	WI Barron	91.5	NEW	AF dismissed (Community Public Radio)
TX Robinson	107.9	KWPW	CC from KHCK-FM	WI Barton	88.5	NEW	AF dismissed (Harvest Time Apostolic Ministries)
TX San Augustine	92.5	KDET-FM	CC from KQSI	WI Brookfield	106.9	WNQW	CC from WJZX
TX San Augustine	92.5	KDET-FM	CC from KQSI	WI Brookfield	106.9	WZBK-FM	CC from WNQW
TX Sealy	90.7	KBCP	CC from KCPC	WI Chenequa	91.5	NEW	AF dismissed (Peace Education Project of Peace Action Wisconsin)
TX Springtown	89.1	KSQX	PR>50kw; amendment from 1w-H/15kw-V	WI Columbus	89.5	NEW	AF dismissed (Wis. Academy SDA Church)
TX Sulphur Bluff	99.7	KNOI	CC from KRBR	WI Delafield	91.5	NEW	AF dismissed (Family Life Broadcasting)
TX Sulphur Springs	91.9	NEW	PR>45m, 33-09-05/95-36-13	WI Delafield	91.5	NEW	AF dismissed (Optima Enrichment)
TX Weatherford	88.5	KMOX	PR>100kw	WI Erdman	88.3	NEW	AF dismissed (Bethesda Christian Broadcasting)
TX Weatherford	89.5	KYOX	PR>26kw-V (drop H) dismissed	WI Fod du Lac (sic)	88.5	NEW	AF dismissed (WRVM)
TX Wellington	91.7	NEW	AF dismissed (AFR)	WI Hancock	91.5	NEW	AF dismissed (Optima Enrichment)
TX White Deer	91.7	NEW	AF dismissed (Cross of our Lord Jesus Christ Ministries)	WI Kenosha	89.1	NEW	AF dismissed (The Institute for One Wisconsin; JKJ Educational Foundation)
TX White Deer	91.7	NEW	AF dismissed (Living River Ministries)	WI Markesan	88.3	NEW	AF dismissed (Optima Enrichment)
TX Wichita Falls	89.5	KMOC	PC<200m, 33-53-23/98-33-30	WI Milwaukee	95.7	WRIT-FM	AF 15kw-V/100m, 43-05-24/87-54-55 (aux)
TX Zapata	88.3	NEW	AF dismissed (The Worship Center of Kingsville)	WI Milwaukee	95.7	WRIT-FM	NS 15kw/100m (aux)
UT Monroe	88.5	KUXU	CC for NS	WI Milwaukee	97.3	WRNW	CC from WQBW
UT Monticello	88.1	KUHU	CC for NS	WI Minocqua	95.9	WMQA-FM	PR>22kw/107m
UT Ogden	88.1	KWCR-FM	PR>25w/1249m, 41-12-00/111-52-55	WI Mosinee	94.7	WOZZ	CC from WOFM
UT Provo	94.9	KHTB	NS 21.5kw/844m (aux)	WI Mosinee	94.7	WOZZ	CC from WOFM
UT Roosevelt	89.3	KUOU	CC for NS	WI Neenah-Menasha	94.3	WYDR	CC from WROE
UT Vernal	88.5	KUSK	NW 9kw-V/104m, 40-24-50/109-35-33	WI Neenah-Menasha	94.3	WYDR	CC from WROE
VA Bowling Green	91.7	NEW	AF dismissed (CSN)	WI New Holstein	92.9	WLWB	CC for NS
VA Bowling Green	91.7	NEW	AF dismissed (The Helpline)	WI New London	93.5	WRQE	CC from WOZZ
VA Burkingham	91.5	NEW	AF dismissed (James Madison University)	WI New London	93.5	WRQE	CC from WOZZ
VA Cape Charles	91.9	NEW	AF dismissed (St. Paul Cultural Broadcasting)	WI Oak Creek	88.5	NEW	AF dismissed (The Institute for One Wisconsin)
VA Columbia	91.5	NEW	AF dismissed (Liberty University)	WI Peshtigo	91.3	WRMW	CC for NS
VA Fredericksburg	90.5	WYJY	PR<23kw/128m, 37-57-56/77-22-19	WI Port Washington	88.5	NEW	AF dismissed (Wisconsin Public Radio)
VA Gloucester Point	88.5	WHRG	CC for NS	WI Portage	88.3	NEW	AF dismissed (Cornerstone Community Radio)
VA Gore	90.1	WVRS	CC for NS	WI Racine	100.7	WKKV-FM	NW 15kw/119m (aux)
VA Greenville	91.3	NEW	AF dismissed (CSN)	WI Racine	88.5	NEW	AF dismissed (Family Life Broadcasting)
VA Lakeside	100.9	WHTI	CC from WDYL	WI Rice Lake	91.5	NEW	AF dismissed (Immanuel Baptist Church)
VA Milford	91.3	NEW	AF dismissed (RV Ministries)	WI Rice Lake	91.5	NEW	AF dismissed (Wisconsin Public Radio)
VA Nassawadox	91.9	NEW	AF dismissed (Liberty University)	WI Ripon	88.3	NEW	AF dismissed (WVCY)
VA Powhatan	91.7	KDRH	QR from 91.3, 4.9kw H&V (add H)/84m, 37-37-36/78-08-27; CL from King City, California (not a typo) dismissed	WI Rockland	91.5	NEW	AF dismissed (Crossfire Inc.)
VA Richmond	103.7	WURV	CC from WMXB	WI Saukville	88.5	NEW	AF dismissed (Milwaukee Symphony Orchestra)
VA Richmond	106.5	WBTJ	NW 4.2kw/293m, 37-30-31/77-34-37 (aux)	WI Sheboygan	88.3	NEW	AF dismissed (Cornerstone Community Radio)
VA Richmond	106.5	WBTJ	PC 14.5kw/280m, 37-30-45/77-36-06	WI Sheboygan	90.9	WIWM	CC for NS
VA Scottsville	91.5	NEW	AF dismissed (Virginia Organizing Project)	WI Sturgeon Bay	99.7	WZDR	CC from WRQE
VA Shawsville	102.5	NEW	NS 800w/276m, 37-14-47/80-19-33 (George S. Flinn Jr.)	WI Sturgeon Bay	99.7	WZDR	CC from WRQE
VA Spotsylvania	91.7	NEW	AF dismissed (Commonwealth Public Broadcasting Corp.)	WI Superior	102.5	KDWZ	CC from KHQG
VA Spotsylvania	91.7	NEW	AF dismissed (JKJ Educational Foundation)	WI Superior	102.5	KDWZ	CC from KHQG
VA Spotsylvania	91.7	NEW	AF dismissed (WVTF)	WI Taycheedah	88.3	NEW	AF dismissed (Bethesda Christian Broadcasting)
VA Staunton	91.3	NEW	AF dismissed (Stucomm)	WI Tomah	91.5	NEW	AF dismissed (WEMI)
VA Tappahannock	91.7	NEW	AF dismissed (Action Inc.)	WI Turtle Lake	91.5	NEW	AF dismissed (Templo Apostoles y Profetas Bethel)
VA Tappahannock	91.7	NEW	AF dismissed (Empowered People)	WI Turtle Lake	91.5	NEW	AF dismissed (The I-C-N Co.)
VA Winchester	89.7	WHFW	CC for NS	WI Waukesha	106.1	WMIL-FM	AF 15kw-V/100m, 43-05-24/87-54-55 (aux)
VT Addison	93.7	WIFY	CC from WUSX	WI Waukesha	106.1	WMIL-FM	NS 15kw/100m, 43-05-24/87-54-55 (aux)
VT Brattleboro	88.9	NEW	NS 100w-H/6kw-V/33m, 42-49-44/72-35-52 (Vermont Public Radio)	WI West Bend	88.5	NEW	AF dismissed (Christian Vision)
VT Randolph	102.1	WVXR	CC from WCVR-FM	WI West Bend	91.5	NEW	AF dismissed (Jubilation Ministries)
WA Aberdeen	90.3	NEW	AF dismissed (Grays Harbor SDA Church)	WI Wisconsin Dells	88.3	NEW	AF dismissed (Basalt of the Earth)
WA Aberdeen	90.7	NEW	AF dismissed (KWSU)	WI Yuba	89.7	NEW	AF dismissed (Harvest Christian Fellowship)
WA Elma	89.7	NEW	AF dismissed (Grays Harbor LPFM)	WV Bridgeport	104.1	WETT	CC from WDCI
WA Granite Falls	91.5	KQXI	CC for NS	WV Hillsboro	91.9	WVMR-FM	NW 550w/-11m, 38-11-30/80-11-44
WA Hoquiam	89.1	NEW	AF dismissed (KPLU)	WV Marmet	93.3	WKVW	PC 1.7kw/189m, 38-16-25/81-31-27
WA Hoquiam	89.1	NEW	AF dismissed (Sacred Heart Radio)	WV Thomas	88.7	WPTT	CC for NS
WA Hoquiam	90.3	NEW	AF dismissed (Chehalis Valley Educational Foundation)	WY Cody	89.1	KNWT	NW 18.5kw/547m, 44-29-46/109-09-09
WA Kettle Falls	90.7	KEPG	CC for NS	WY Cody	91.1	KOFG	PC>8.7kw/547m
WA Longview	90.3	KLWO	CC from KWYQ	WY Jackson	106.7	NEW	AF dismissed (CSN) (73.315)
WA Montesano	89.1	NEW	AF dismissed (Samsno Educational Media)	WY Medicine Bow	99.7	KAZ	CC form KMJY
WA Moses Lake	88.7	KDMB	CC for NS	WY Reliance	89.3	KTME	CC for NS
WA Newport	104.5	KGZG-FM	CC from KQOB-FM	WY Reliance	89.5	KTME	NW 350w/342m, 41-29-47/109-20-42
WA Ocean Park	90.1	NEW	AF dismissed (EMF)	WY Shoshoni	88.7	NEW	NS 1.9kw/598m, 43-26-15/107-59-52 (Wren Communications)
WA Ocean Shores	90.3	NEW	AF dismissed (Northwest Indy Radio)	WY Story	88.5	NEW	AF dismissed (Bethesda Christian Broadcasting)
WA Port Angeles	94.7	KAPY-LP	QG from 95.5, -99m, 48-05-50/123-29-08				
WA Port Townsend	91.9	KPTZ	PG 900w/102m, 48-07-42/122-49-39				
WA Raymond	89.9	NEW	AF dismissed (KPLU)				
WA Shelton	89.7	NEW	AF dismissed (Mason Co. Christian Radio)				
WI Adams	90.5	NEW	NS 7kw/157m, 44-01-13/89-33-31 (Wis. Public Radio, presumably to be News & Classical Music network)				
WI Appleton	105.7	WAPL	PC 26kw/133m (aux)				
WI Baraboo	89.5	NEW	AF dismissed (Optima Enrichment)				



# PHOTO NEWS

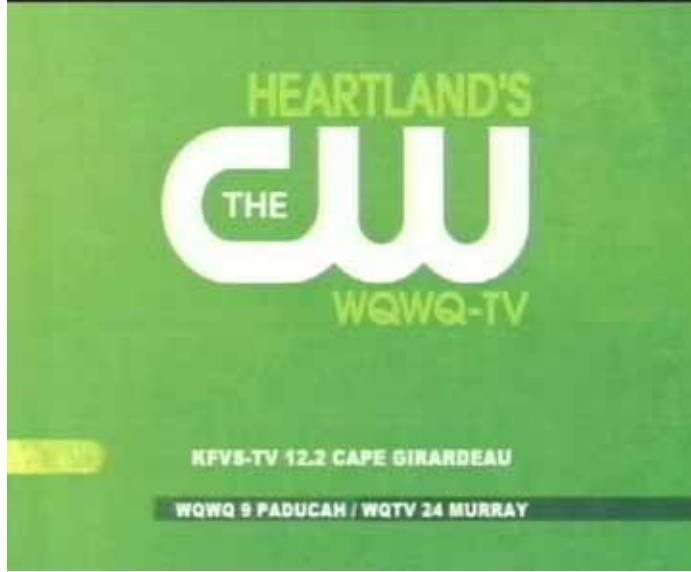
Jeff Kruszka, Editor  
 1909 Lost Lake Place  
 Pearland, TX 77581  
 jkruszka@sbcglobal.net

November 2010

Eric Bueneman, N0UIH of Hazelwood, MO, checks in again with more good stuff from this summer:



KBSI-22.1 Cape Girardeau, MO  
 115 mi Tr seen 6/12/10



KFVS-12.2 Cape Girardeau, MO  
 115 mi Tr seen 6/12/10



WSBT-22.1 South Bend, IN  
 300 mi Tr seen 7/16/10



WICD-41 Champaign, IL  
 150 mi Tr seen 6/19/10



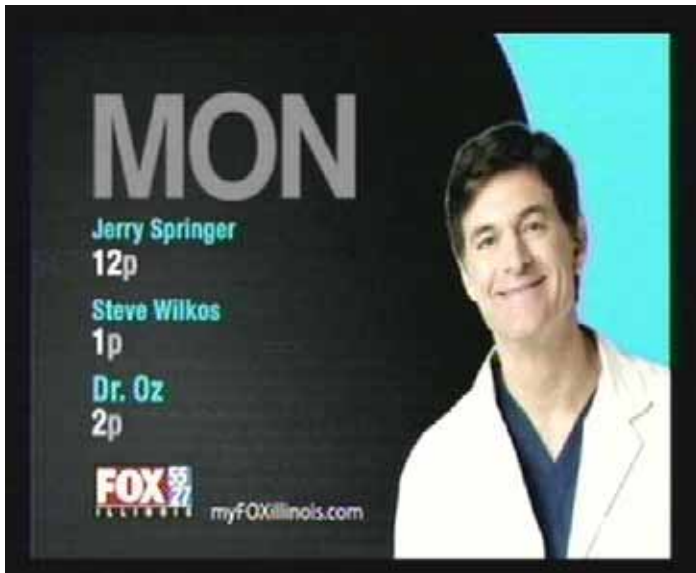
KDIN-11.1 Des Moines, IA  
 255 mi Tr seen 7/29/10



WTCT-17.3 Marion, IL  
100 mi Tr seen 6/13/10



WISH-9.2 Indianapolis, IN  
240 mi Tr seen 7/16/10



WRSP-44 Springfield, IL  
80 mi Tr seen 6/13/10



WFWA-40.4 Ft. Wayne, IN  
320 mi Tr seen 7/16/10



WTHI-10.2 Terre Haute, IN  
170 mi Tr seen 7/19/10



WTWO-36.1 Terre Haute, IN  
170 mi Tr seen 7/19/10



KIIN-12.3 Iowa City, IA  
225 mi Tr seen 7/18/10



WAND-18.1 Decatur, IL  
110 mi Tr seen 6/13/10



KMIZ-17.2 Columbia, MO  
105 mi Tr seen 7/21/10



WISE-18.3 Ft. Wayne, IN  
320 mi Tr seen 7/16/10



WIPB-23.3 Muncie, IN  
255 mi Tr seen 7/16/10



WLCF-LD-45 Decatur, IL  
110 mi Tr seen 7/3/10  
*"my first LP DTV!"*

73's, JEFF





Photo of WBBO/WCHR-FM tower by Michael Temme-Soifer.

# Coast to Coast TV DX

Featuring reports from the entire United States and all of Canada.

Send reports by the 15<sup>th</sup> of each month to:

Nick Langan

1040 Riverview Drive

Florence, NJ 08518

E-mail: [nickl@wtfd.org](mailto:nickl@wtfd.org) (East) [wtvdx@wtfd.org](mailto:wtvdx@wtfd.org) (West)

## The Editor's Note

October was uneventful for DX pretty much everywhere across the nation, with no major tropo openings to speak of or any rogue off-season E-skip activity. We look for tropo to start to pop up in and around the Gulf Coast in November, and hope we can squeak in a couple more openings across the north before the weather turns colder.

### Harry Hayes

Wilkes-Barre, PA 18702

Equipment: 1991 Zenith Sentry TV, VHF: 2-6 yagi in attic w/Radio Shack amp. UHF: 6' window screened dish in attic, hand turned, Winegard 7800 amp., Zenith DTT-901 digital TV box.

#### 9/3/10 Tr

0931 WFXV-27/33 Utica NY, 150 mi.

#### 9/23 Tr

0930 WKTV-29/2 Utica NY, 150 mi.

#### 9/24 Tr

1000 WNJS-22/23 Camden NJ, new 100 mi.

I'm hoping for a little more tropo in October and, who knows, maybe November.

### Fritze H Prentice Jr

KC5KBV

Star City, AR

EM43aw

<http://tvdxseark.blogspot.com>

<http://www.twitter.com/KC5KBV>

I arrived home after a local HS football game and while hearing some signs of tropo on the car radio and feeling a slight change in the air didn't think much of things until the converter box tuned to (and antenna pointed at) WXVT 15 wasn't decoding WXVT at all but at 10:30pm was decoding another channel 15 station--in Fayetteville AR. It was then "off to the races" after a quick check of RF 50 revealing a decode of KNWA Rogers AR. Here is the log from last night September 24

Callsign	COL	RF ch	Time (24h CDT)	Notes, PSIP #, etc
----------	-----	-------	----------------	--------------------

\* -- New Log

KHOG	Fayetteville AR	15	2230	PSIP 29-1 (KHOG ABC), 29-2 (CW+)
------	-----------------	----	------	----------------------------------

KNWA	Rogers AR	50	2232	PSIP 50-1 (KNWA NBC), 50-2 (// KFTA Ft Smith AR FOX)
------	-----------	----	------	--

KTKA	Topeka KS	49	2234	PSIP 49-1 (KTKA ABC), 49-2 (KTKA WX), 49-3 (CW+)
------	-----------	----	------	--

KMTW*	Hutchinson KS	35	2234	PSIP 36-1 (KMTW MyNet) "My TV Wichita"
-------	---------------	----	------	--

KPBI	Eureka Springs AR	34	2235	PSIP 34-1 (KPBI RTV), 34-2 (// KXUN Ft Smith AR UNIVS)
------	-------------------	----	------	--

KSAS*	Wichita KS	26	2235	PSIP 24-1 (KSAS FOX) "FOX Kansas"
-------	------------	----	------	-----------------------------------

KSNF	Joplin MO	46	2236	PSIP 16-1 (KSNF NBC)
------	-----------	----	------	----------------------

KODE	Joplin MO	43	2236	PSIP 12-1 (KODE ABC)
------	-----------	----	------	----------------------

KMBC	Kansas City MO	29	2236	PSIP only log (decoded "9-2" in scan)
------	----------------	----	------	---------------------------------------

KFSM	Fort Smith AR	18	2236	PSIP 5-1 (KFSM CBS), 5-2 (Local news loop/My Net) PEST
------	---------------	----	------	--

KOOD*	Hays KS	16	2243	PSIP 9-1 (KOOD PBS/Smoky Hills Public Television) SDTV feed, 9-2 (HDTV feed of SHPT), 9-3 off air static slide same for 9-4
-------	---------	----	------	---

KQCW	Muskogee OK	20	2246	PSIP 19-1 (KQCW CW) "Tulsa CW"
------	-------------	----	------	--------------------------------

KDOR	Bartlesville OK	17	2246	PSIP 17-1 (TBN), 17-2 (Church Ch), 17-3 (JCTV), 17-4 (Enlace)
------	-----------------	----	------	---

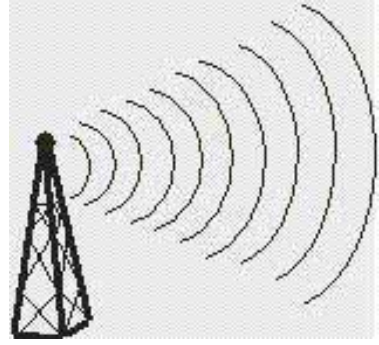
17-5  
(Smile Of A Child)

KAKE	Wichita KS	21	2247	PSIP 10-1 (KAKE ABC)---Digital Replacement "Translator" *not* primary RF 10 signal of KAKE, verified via onscreen menu of converter. NOT a new log since logged previously on back in 2008.
------	------------	----	------	---

KSNW*	Wichita KS	45	2248	PSIP 3-1 (KSNW NBC)
-------	------------	----	------	---------------------

(Continues on page 35)

# Northern FM DX



Keith McGinnis  
18 Newbridge St., Hingham, MA 02043  
longwave@comcast.net 781-875-1944

---

For Dxers in the following states: CT IA ID IL IN MA ME MI MN MT ND NE NH NJ NY OH OR  
PA RI SD VT WA WI WY and all of Canada. Please submit by the 10<sup>th</sup> of each month.

**EDITOR'S NOTE PLEASE SUBMIT ALL REPORTS IN THE FORMAT SHOWN BELOW.**

***Time(tab)Calls(tab)Freq(tab)City(tab)State(tab)details***

***Formats can either be plain text, Word or Excel as long as format is adhered to. Any submissions in other formats may not be used at editor's discretion.  
All Submissions must be in to me by the 10<sup>th</sup> of each month.***

---

**Harry Hayes - Wilkes-Barre, PA 18702**

**Equipment: Sony XDR-F1HD, FM-6 ant. in attic no amplification**

**@=new**

September 18 Tr

1138@ WRVW 107.5 Lebanon TN "107.5 the River" ID & stream match. 650 mi.

September 24 Tr

0805 WIKZ 95.1 Chambersburg PA "Mix 95.1", weak 125 mi.

Not much in quantity but good quality. WRVW is a new personal distance record on trop from here and it was in and out until 12:50 PM.

---

**Jeff Falconer - Clinton ON EN93fo**

**Sangean HDT-1X, Sony XDR-F1HD, APS-13 at 22', 10db preamp**

**New=\* New calls={XXXX} Time=ELT Distances=Miles**

Sep 09 Tr

1840 WAXX 104.5 Eau Claire WI PSA for WI Tourism, wx report mentioned La Crosse, C&W 474

Sep 11 Tr

0940 WGGE 99.1 Parkersburg WV C&W, "Froggy 88" 299  
0943 WCLT 100.3 Newark OH C&W, "T-100, HD 100.3" 251  
0931 WIMT 102.1 Lima OH C&W, "T102.com" 247

Sep 17 Tr

1537 WBEZ 91.5 Chicago IL Wx report into "Fresh Air" pgm 331

Sep 18 Tr (6 new WV stns!)

0925 \*WSWW 95.7 Craigsville WV OLD, "The New 3WS Radio" 362  
0928 \*WAFD 100.3 Webster Springs WV Wx, ads, "Summit 100.3", RDS: WAFD 360

0935	*WAUA	89.5	Petersburg	WV	End of "Weekend Edition" pgm, ID at TOH gave long list of WVPR affiliates, in HD which just displayed "HD" with no calls 326
0847	*WDBS	97.1	Sutton	WV	C&W, Summersville ads 361
0908	WFGY	98.1	Altoona	PA	C&W, "Froggy" 264
0912	WFGI	95.5	Johnstown	PA	C&W, "Froggy 95" 260
0914	WRKW	99.1	Ebensburg	PA	"The Laurel Highlands rock station 'Rocky 99'" 263
1100	WVAQ	101.9	Morgantown	WV	Calls, Mountaineers FB pregame 288
1119	*WCWV	92.9	Summersville	WV	Calls along with WVAR 600 in Richwood, Mountaineers FB pregame 288
1130	*WELK	94.7	Elkins	WV	Ad for Elkins Fordland, "The Mountaineers Today on WELK" 337

Sep 19 Tr

1120	WONU	89.7	Kankakee	IL	"Shine FM" 365
1125	WMBI	90.1	Chicago	IL	Preacher, RDS: WMBI 249
1132	WPWX	92.3	Hammond	IN	Hip-hop, RDS: POWER 92 334
1133	WJKL	94.3	Elgin	IN	REL, RDS: K-LOVE 258
1151	WOJO	105.1	Chicago	IL	SS ads mentioned Waukegan 331
1155	WLEYt	107.9	Aurora	IL	SS over WCRZ 352
1159	WVPE	88.1	Elkhart	IN	Legal ID 274
1203	WJCH	91.9	Joliet	IL	Calls, FRN REL 376
1220	{WCPS}	105.9	Elmwood Park	IL	Weak //stream, ex WCKG 332

Sep 19 Ms

1508	KJTH	89.7	Ponca City	OK	RDS PI: KJTH, RDS PS: artist/song 975
1541	KMUW	89.1	Wichita	KS	RDS PI: 'KMTV' 929

Sep 22 Tr

1812	WUWM	89.7	Milwaukee	WI	"All Things Considered", RDS: WUWM-FM
1815	WYMS	88.9	Milwaukee	WI	"Five O'clock Shadow pgm, "Radio Milwaukee", RDS PI: 'KZBH' 322
1818	WMYX	99.1	Milwaukee	WI	Song by Owl City, RDS/HD 2 CH 332
1820	WPJP	100.1	Port Washington	WI	Catholic REL, "Relevant Radio" 324
1829	WVCY	107.7	Milwaukee	WI	VCY REL, "Sacred Stylings" pgm 332
1832	WHQG	102.9	Milwaukee	WI	Def Leppard song, "The Hog" 327
1836	WRIT	95.7	Milwaukee	WI	"Oldies 95.7", RDS PS: artist/song RDS PI: 'KAXZ' 323
1847	{WRNW}	97.3	Milwaukee	WI	Ads,K "97-3 Radio Now", ex WQBW 323
1913	WZOR	94.7	Mishicot	WI	Metal music, "Razor 94-7" 315
1923	WAPL	105.7	Appleton	WI	Ads, calls heard 325
1950	WVGR	104.1	Grand Rapids	MI	TLK in HD, never heard in HD before 212

Sep 26 Tr

1437	WAKW	93.3	Cincinnati	OH	"Uplifting, encouraging WAKW" 342
1438	WLZT	93.3	Ashville	OH	"Soft Rock 93-3", RDS PI: 'KBQN' 268

Sep 27 Tr

1542	WOSU	89.7	Columbus	OH	CLA, RDS 263
2024	WYSO	91.3	Yellow Springs	OH	Calls 292

Sep 28 Tr

1812	WCHO	105.5	Washington Court	OH	Ads, "Buckeye Country" 307 House
------	------	-------	------------------	----	----------------------------------

Sep 29 Tr

1857	KDKA	93.7	Pittsburgh	PA	"93-7 The Fan" 236
------	------	------	------------	----	--------------------

Oct 02 Ms

1604	WEMX	94.1	Kentwood	LA	RDS PI: 'WAD', RDS PTY: R&B, prev via Es
1607	KKPT	94.1	Little Rock	AR	Several pings with RDS PI: KKPT, RDS PTY: Classic Rock 844
2207	Unid	98.1	??	??	RDS PI: 'WPW', RDS PTY: Adult hits, pointed SSW ??
2207	Unid	98.1	??	??	RDS PI: 'WXB', pointed SSW ??

Oct 02 Tr

2151	WNUY	100.1	Bluffton	IN	Notre Dame FB, "FM 100 Talks" 265
------	------	-------	----------	----	-----------------------------------

**Mike Bugaj – 69 Sherman Road – Enfield, CT 06082 APS-13 and XDR-F1HD**

Calls	Freq	City	St	Details
<b>2/1 Es</b>				
WRLX	92.1	West Palm Beach	FL	RDS PS=Mia FM
WZZR	92.7	Riviera Beach	FL	Real Radio
WRTO	98.3	Goulds	FL	
WKGR	98.5	Ft. Pierce	FL	RDS PS=98.5THEGATOR
<b>WAFC</b>	99.5	Clewiston	FL	RDS PS=LaLey 99.5
WCZR	101.7	Vero Beach	FL	Real Radio
WMBX	102.3	Jensen Beach	FL	RDS PS=WMBX
<b>WQOL</b>	103.7	Vero Beach West Palm Beach	FL	Calls
WEAT	104.3	Beach	FL	Sunny104.3
<b>WAOA</b>	107.1	Melbourne	FL	A1A
WGCV	90.1	Ft. Myers	FL	NPR for SW Florida
WAWW	92.7	Stuart	FL	Wave 92.7
WLLD	94.1	Lakeland	FL	RDS PS=WILD94.1 ex-WSJT
WCFB	94.5	Daytona Beach	FL	RDS PS=STAR94.5
WJKD	99.7	Vero Beach	FL	JACK FM
WJHM	101.9	Daytona Beach	FL	R & B
WRBQ	104.7	Tampa	FL	Q105 Tampa Bay's Greatest Hits
WOMX	105.1	Orlando	FL	Mix 105.1
<b>WFUS</b>	89.1	Gulfport	FL	US103.5
<b>WLAZ</b>	89.1	Kissimmee	FL	Kissimmee housing info in Spanish
WUFT	89.1	Gainesville	FL	RDS 8a0d
<b>WJUF</b>	90.1	Iverness	FL	RDS 6e79
WKES	91.1	Lakeland	FL	RDS 6f8a
WMFQ	92.9	Ocala	FL	Big 92.9
WWRM	94.9	Tampa	FL	Magic 94.9
WJGL	96.9	Jacksonville	FL	RDS 6d13 96.9 The Eagle
WSUN	97.1	Holiday	FL	RDS 8645, 97X
WWRZ	98.3	Ft. Meade	FL	RDS a993
WSOS	94.1	Fruit Cove	FL	Sunny 94.1
WAAG	94.9	Galesburg	IL	RDS 54ae
<b>WBOI</b>	89.1	Ft. Wayne	IN	ID with calls
KDHX	88.1	St. Louis	MO	RDS 18b9
<b>WCIC</b>	91.5	Pekin	IL	RDS 5ac2
KRES	104.7	Moberly	MO	Missouri Lottery RDS 3de5
WFMB	104.5	Springfield	IL	Country, RDS 6315
<b>WZPW</b>	92.3	Peoria	IL	RDS 9848, Peoria Election
<b>WEAI</b>	107.1	Lynnville	IL	RDS 5f40 107.1 the Eagle
<b>WPWQ</b>	106.7	Mt. sterling	IL	The Oldies Superstation covering 5000 sq. miles
WQQL	101.9	Springfield	IL	Illinoissolarplan.com
KTTM	92.3	Trenton	MO	calls

<b>4/3 Tr</b>				
<b><u>WTKE</u></b>	107.1	Atlantic	NC	Talk pgm, Finding God Through Physics
<b>5/14 Es</b>				
CFOZ	100.3	Argentia	NF	OZ-FM
<b><u>CKSJ</u></b>	101.1	St. John	NF	Coast
<b><u>CBAX-FM-2</u></b>	101.9	St. John	NF	French talk
CKHZ	103.5	Halifax	NS	Eagle country 103.5, Plaza Ford
<b><u>CBI</u></b>	105.1	Sydney	NS	CBC Radio 2 drive
<b><u>CJKM</u></b>	106.1	Cheticamp	NS	French dj, Cape Breton Trailor Sales
<b><u>CKXX</u></b>	103.9	Corner Brook	NF	Kicks
<b><u>CKXG</u></b>	102.3	Grand Falls	NF	K-rock
<b><u>CJFX-FM-1</u></b>	102.5	Iverness	NS	Rock
<b><u>CKXD</u></b>	98.7	Gander	NF	K-Rock
<b><u>CHER</u></b>	98.3	Sydney	NS	Max 98.3, RDS=c440
VOCM	97.5	St. John	NF	97.5 K-rock
CIOZ	96.3	Marystown	NF	OZ, the rock of the rock
CKPE	94.9	Sydney	NS	The Cape. RDS PI=cd9f
CIOS	98.5	Stephenville	NF	OZ-FM
<b>5/30 Es</b>				
<b><u>XHCAO</u></b>	89.1	Cd. Camargo	TAM	La Lupe
WAFR	88.3	Tupelo	MS	PI=553B, PS=AMERICAN FAMILY RADIO
WMAU	88.9	Bude	MS	RDS with WMAB PS
WTCD	96.9	Indianola	MS	RDS PI=870b, PS=SUPRTALK
WDNX	89.1	Olive Hill	TN	RDS PI=5dfd, PS=LIFETALK RADIO WDNX
WQPR	88.7	Tuscaloosa	AL	RDS PI=a87f, PI=apr.org
<b><u>WIGH</u></b>	88.7	Jackson	TN	RDS PI=6a6b, PS=WIGH.AFR
WKNO	91.1	Memphis	TN	RDS PI=7071, PS=WKNO-FM
KKPT	94.1	Little Rock	AR	RDS PI=2c01
KUAR	89.1	Little Rock	AR	RDS PI=44e1, PS=KUAR LIT
CITI	92.1	Winnipeg	MB	<a href="#">RDS PI=c95a CITI-FM</a>
CHVN	95.1	Winnipeg	MB	RDS PI=c5ee, Christian
CHIQ	94.3	Winnipeg	MB	Curve 94.3 Winnipeg's Rock Alternative
<b>5/31 Es</b>				
WKNO	91.1	Memphis	TN	ID and HD
<b><u>WJXA</u></b>	92.9	Nashville	TN	RDS PI=6ec2
Unid	94.3			Make Clarksvillenow.com your homepage
<b><u>KXMO</u></b>	95.3	Owensville	MO	RDS PI=4e02 95.3KXMO, KXMO OLDIES
WFUN	95.5	Bethalto	IL	RDS PI=63f1 foxy95.5
WRQQ	97.1	Goodlettsville	TN	RDS PI=833c 97.1RQQ
WSMI	106.1	Litchfield	IL	Calls
WMBI	90.1	Chicago	IL	RDS PI=747a, the Market with Janet Parshall
WBEZ	91.5	Chicago	IL	<a href="#">RDS PI=57cd, NW Indiana traffic</a>
	87.75	Chicago	IL	Chicagosmoothjazz.com, jazz of course
<b><u>WKVO</u></b>	89.9	Georgetown	KY	RDS PI=7140, K-Love
<b><u>WKMS</u></b>	91.3	Murray	KY	Calls and HD
<b>6/2 Es</b>				
WPAS	89.1	Pascagoula	MS	RDS PI=7c56, AFR
WZEW	92.1	Fairhope	AL	RDS PI=972a, 92zew.net, Radio Avalon with Katt
WUWF	88.1	Pensacola	FL	Calls and HD
<b><u>KRVS</u></b>	88.7	Lafayette	LA	RDS PI=3f18
<b><u>WLLD</u></b>	94.1	Holmes Beach	FL	RDS PI=72d5
WWRM	94.9	Tampa	FL	RDS PI=9086
<b><u>WSJT</u></b>	98.7	Lakeland	FL	RDS PI=852d WSJT98.7
WHPT	102.5	Sarasota	FL	RDS PI=68bd The Bone
WEYS	87.75	Miami	FL	ID in SS at 2003
WUFT	89.1	Gainesville	FL	RDS PI=8a0d
WGES	90.9	Cutler Bay	FL	RDS PI=9000, religious, calls
WDJR	96.9	Enterprise	AL	RDS PI=ba1f BIGDOG
WHQT	105.1	Miami	FL	RDS PI=68d7, Isoin HD

KANU	91.5	Lawrence	KS	RDS PI=1166, classical music
<b>6/8 Es</b>				
KFXI	92.1	Marlow	OK	"The real country giant, Foxy 92"
<b>6/9 Es</b>				
WPEH	92.1	Louisville	GA	WJBF weather, WPEH calls, GA Nat'l Guard PSA
<b>6/12 Es</b>				
WMAW	88.1	Meridian	MS	HD, WMAW
WEMX	94.1	Kentwood	LA	RDS PI=a687
KSMB	94.5	Baton Rouge	LA	RDS PI=a4c1
WYNK	101.5	Baton Rouge	LA	Batonrougegoldmarket.com
WZEW	92.1	Fairhope	AL	RDS PI=972a, the Cars,
<b>6/18 Es</b>				
WUFT	89.1	Gainesville	FL	HD, WUFT-FM 8a0d
KMGO	98.7	Centerville	IA	a35a country
KGOR	99.9	Omaha	NE	HD KGOR PI=1155
KNTN	102.7	Thief River Falls	MN	344f MPR
KELN	97.1	N. Platte	NE	Mix 97.1, 1bbb
KILR	95.9	Esterville	IA	Calls, country
<b>WONC</b>	89.1	Naperville	IL	Pure Rock, calls
WOI	90.1	Ames	IA	HD WOI-FM
KSUI	91.7	Iowa City	IA	HD KDUI PI=4198
KKOT	93.5	Columbus	NE	93.5 the Hawk 2be7
KGLI	95.5	Sioux City	IA	A2fe, KG95
KKMA	99.5	LeMar	IA	Kool 99.5
<b>KILV</b>	107.5	Cestana	IA	K-Love
<b>KSFT</b>	107.1	Sioux City	IA	107.1 Kiss FM
KZMZ	96.9	Alexandria	LA	969 Rocks
WJJK	98.7	Vicksburg	MS	6d7a
WYOY	101.7	Gluckstadt	MS	958c
WCDV	103.3	Hammond	LA	5a53
<b>KFLI</b>	104.7	Searcy	AR	Cool 104.7
WKXI	107.5	Magee	MS	716e
KJMH	107.5	Lake Charles	LA	107 jams
KQXL	106.5	New Roads	LA	3ca1, R'nB
<b>WGCM</b>	102.5	Gulfport	MS	64c0
WPAE	89.7	Centerville	MS	7c48
<b>6/19 Es</b>				
KQDS	94.9	Duluth	MN	3aa0 classic rock
<b>WUPK</b>	94.1	Marquette	MI	8b08, classic rock
KYAL	97.1	Muskogee	OK	The Sports Animal
WEZB	97.1	New Orleans	LA	61c3
WAVH	106.5	Daphne	AL	56d1, FM talk
<b>KTRN</b>	104.5	Fayetteville	AR	K Train 104.5 FM
<b>KMFC</b>	92.1	Centralia	IL	calls
<b>6/24 Es</b>				
WMAW	88.1	Meridian	MS	HD 1&2
WUAL	91.5	Tuscaloosa	AL	HD
KDHX	88.1	St. Louis	MO	HD
KOSN	107.5	Ketchum	OK	36e0, KOSU calls
WDAF	106.5	Liberty	MO	106.5 the Wolf
KCJK	105.1	Garden City	MO	HD
KBEQ	104.3	Kansas City	MO	Q104kc.com
KMFC	92.1	Centralia	MO	Switch fm 92.1
KLOZ	92.7	Eldon	MO	Mix 92.7 today's best hits
KGRC	92.9	Hannibal	MO	Real 92.9
<b>KSSZ</b>	93.9	Columbia	MO	4175 The Mike
KSHE	94.7	Crestwood	MO	Real Rock Radio KSHE-FM

WFUN	95.5	Bethalto	IL	63f1, foxy 95.5
KTFK	97.1	Florissant	MO	HD 1f2c
KIXQ	102.5	Joplin	MO	HD
<b><u>KXMO</u></b>	95.3	Cuba	MO	4e02 w/KTTR
<b>7/4 Es</b>				
<b><u>KQRC</u></b>	94.9	Leavenworth	KS	KC's Music Station
<b><u>KBVB</u></b>	95.1	Barnsville	ND	Bob 95 FM
KKZY	95.5	Bemidji	MN	95.5 KZY
<b><u>KQHT</u></b>	96.1	Crookston	MN	3b09, 96.1 the Fox
KYCK	97.1	Crookston	MN	4f9e 97k country
KDKK	97.5	Park Rapids	MN	db59, exploreminnesota.com
WBJI	98.3	Blackduck	MN	Real country 98.3
KQWB	98.7	Moorhead	MN	3c7d, rock
KLLZ	99.1	Walker	MN	Z99 classic rock
<b><u>KSNR</u></b>	100.3	Fisher	MN	a4eb, country
<b><u>KVMI</u></b>	103.9	Arthur	ND	103.9 the Truck, hot new country
<b><u>KMJO</u></b>	104.7	Hope	ND	30a0, get your mojo on 104
<b><u>KKEQ</u></b>	107.1	Foston	MN	q-fm, Focus on the Family promo
KJKJ	107.5	Grand Forks	ND	28d1, KL108
<b><u>WMIS</u></b>	92.1	Blackduck	MN	Lite rock 92.1 the River
WJJY	106.7	Brainerd	MN	6d6e
KCCM	91.1	Moorhead	MN	MN Public Radio
<b>8/9 Tr</b>				
WYND	97.1	Hatteras	NC	All alone, no WQHT at all. ESPN radio.
WCMS	94.5	Hatteras	NC	country
<b>8/13 Tr</b>				
<b><u>WSNI</u></b>	97.7	Keene	NH	Sunny 97 John Tesh
<b>9/18 Tr</b>				
WGFX	104.5	Gellatin	TN	The Zone, sports, strong at times <b>New Mode</b>
<b><u>WLKT</u></b>	104.5	Lexington	KY	1045 the Cat
WDVE	102.5	Pittsburgh	PA	Calls, ads 400mi
<b><u>WRVW</u></b>	107.5	Lebanon	TN	theriver.com
<b><u>WPRT</u></b>	102.5	Pegram	TN	The party, weak
WSLC	94.9	Roanoke	VA	Star country 94.9
WKDF	103.3	Nashville	TN	ad with calls mentioned 860 mi <b>New Mode</b>
Unid	99.7			Kim Kommando
WFGY	98.1	Altoona	PA	Froggy 98
WFRB	105.3	Frostburg	MD	RDS PI=6937, audio calls and ads
WWLW	106.5	Clarksburg	WV	Magic106.5
WNVZ	104.5	Norfolk	VA	Z104.5
WPTE	94.9	Norfolk	VA	The Point

## COAST TO COAST TV DX CONTINUED FROM PAGE 35

Sep 24-30 Var. fair-poor (high pressure, very warm)

**William Draeb**  
1304 Ellis St.  
Kewaunee, WI 54216

**Sep 2** 1450, tropo at my place, in addition to the coastal tropo stations listed last month Miles  
21 XHTIT Tijuana (Azteca 7 XHIMT) 200  
(analog, poor over local KPMR d21 SBarb)

9/12 Tr  
1940 WOOD-7  
WWMT-8

Best of DX to All

Dennis

Nothing else this month. Month was too unsettled and turning colder. Hope it gets better in Oct. Bill.

# FCC Tees Up Initial Broadcast Spectrum Reclamation Moves

## FCC Chairman adds that broadcasters can be leaders in mobile broadband revolution

By John Eggerton -- Broadcasting & Cable, October 20, 2010

The FCC next month will take the first big steps toward freeing up broadcast and other spectrum for wireless broadband, FCC Chairman Julius Genachowski plans to announce at a spectrum "summit" at the FCC Thursday. The FCC will release a new analysis of the spectrum crisis, and will try to encourage some broadcasters to move off some of their spectrum and others to move into the VHF band.

But FCC Chairman Julius Genachowski made a point of including broadcasters in his vision of that mobile future, telling B&C that they can still be leaders in a broadband revolution. Some however, will be expected to do that while sharing channels and moving from the UHF to the VHF dial.

At its November 30 public meeting, The chairman will seek public comment on proposed new rules to help tee up that spectrum search-and-recovery mission if Congress gives it the AOK.

"What the commission is considering in November will lay the groundwork for incentive auctions if Congress decides to act," the Chairman told B&C. "We can move as quickly as possible so that there does not need to be a delay between any congressional action and moving forward on freeing up spectrum for mobile broadband."

The FCC could auction the spectrum without congressional approval, and can lay that technical groundwork for recovery incentive auctions or not, but if it is to give a percentage of the proceeds to broadcasters as incentive to give up spectrum--and broadcasters will almost surely not volunteer to give up spectrum for nothing--Congress has to approve that outlay from the treasury.

According to the FCC, results from a recent analysis indicate that there will be a 300 MHz spectrum shortage over the next five years (the FCC is trying to free up 500 MHz). "Subscriptions to mobile data services have increased by 40 percent in the latest six-month

period of FCC reporting, and the average amount of data used per mobile device has increased by over four times during the last five quarters (Q1 2009 through Q2 2010)," the FCC says.

In an interview with B&C/Multichannel, the Chairman outlined the proposed rulemakings. Primarily, and as already signaled in the broadband plan, the commission will have to change rules on the allocation of the broadcast spectrum to allow mobile broadband use, as well as change the rules to allow for channel-sharing by broadcasters. "Those are barriers we need to lift," Genachowski told B&C/Multichannel.

The FCC will also propose finding ways to improve DTV reception on the VHF band (chs. 2-13) so more broadcasters can be moved there and out of the UHF band (14-51), which is better suited than UHF for wireless broadband. Of course, it is also better suited to DTV broadcasts, as broadcasters found during the DTV transition. That is why the FCC needs to find ways to make it more attractive. "UHF has characteristics that are stronger for mobile broadband," said Genachowski, "and we want to look at proposals to improve VHF so it is more desirable for digital broadcasting so that we can end up with as much UHF spectrum as possible released for mobile broadband and broadcasters being very comfortable with VHF."

Also being teed up are notices to expand experimental licensing, which Genachowski says have proven to be "very successful." He cited the advent of cars with screens to provide views of what is behind them when they are backing up. "That actually requires spectrum, and during its development there was an FCC experimental license that accelerated [no pun intended] its development.

He says given all the innovation that can and happen around spectrum, allowing more experimentation can help move ideas from the lab to real-world testing. "That will also help the FCC make decisions faster," he said, "because it gets on-the-ground experience with



interference issues." A third notice will look at accelerating "opportunistic uses" like secondary market leasing for unused or underused spectrum. That will not be limited to the broadcast band, he says. The summary of the FCC's proposals talks again about the win-win-win nature of incentive auctions, identifying the broadcasters win as a capital infusion. Asked whether that was all broadcasters would be getting out of the deal, the Chairman said it was not.

"I think broadcasters are in a strong position by virtue of their experience with spectrum to develop breakthrough innovations that can be an important part of our mobile future. So, all of the things that we do, including experimental licensing, that encourage spectrum-related innovation creates opportunities for broadcasters, who are real spectrum experts, to develop new products and new services, and not only participate in and help lead the mobile broadband revolution," he said.

The Chairman told B&C the FCC is releasing data Thursday that shows the increasingly urgent need to free up spectrum. He said that data shows a spectrum deficit hitting 300 MHz in the next five year, which means consumers will start having "real challenges" taking advantage of mobile broadband," he says.

"The spectrum summit is intended to accelerate progress on tackling spectrum challenges and seizing the opportunities."


"NAB looks forward to working with policymakers to ensure that efficient spectrum deployment matches actual spectrum demand, and that America's leadership in providing the finest free and local broadcasting system in the world is not compromised," said National Association of Broadcasters spokesman Dennis Wharton.

### COULD WE HAVE YOUR ATTENTION, PLEASE!

ERNIE J. WESOLOWSKI is accepting bids for members to host the 2011 joint convention with the NRC. If any member is interesting in hosting the convention, please write to Ernie at [neerniew@hotmail.com](mailto:neerniew@hotmail.com) or at 13312 Westwood Lane, Omaha, NE 68144-3543.

Tank you!



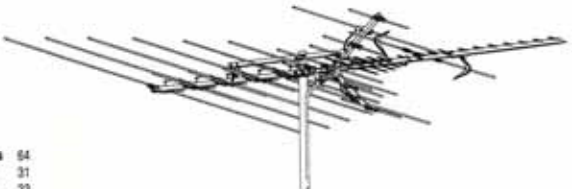


**WINEGARD®**  
Clearly the World's Best®

**CHROMSTAR®**  
HIGH DEFINITION  
VHF/UHF  
ANTENNA

---


**engineering specifications**



Active Elements 54  
UHF Elements 31  
VHF Elements 33  
Boom Length 136"  
Turning Radius 86.750"  
Maximum Width 110" Finish Blue Polymer Finish  
Vertical Height 25.5" Shpg. Weight 12 lbs.  
Element Diameter 3/8" Carton Dimensions 6.25"x6.25"x89.00"

Output Impedance: 75 ohm  
Recommended Preamp: AP Series

Model HD-7084

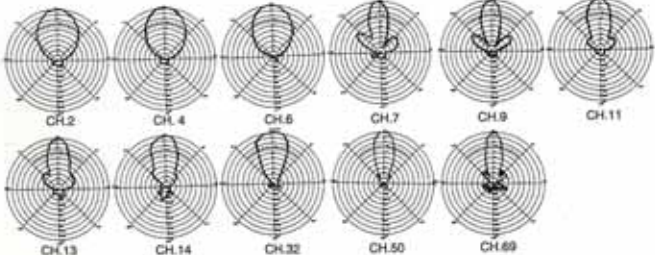


\*UPS in shield design is a registered trademark of United Parcel Service of America, Inc. used by permission.\*

Made in U.S.A.

CHANNEL	CH.2	CH.4	CH.6	CH.7	CH.9	CH.11	CH.13	CH.14	CH.32	CH.50	CH.69
dB gain over reference dipole	6.2	7.2	7.6	10.9	12	11	10.8	14.6	12.1	11.8	12.5
beamwidth at half power points	69°	67°	67°	30°	30°	35°	32°	42°	47°	32°	24°
front-to-back ratio	18dB	19dB	20dB	15dB	20dB	19dB	16dB	12dB	17dB	25dB	-11dB

**POLAR PATTERNS**



Printed in U.S.A. Winegard Company, 3000 Kirkwood St., Burlington, IA 52601-9901

### WTFDA EMAIL REFLECTORS

**Enhance your DXing experience! Entertaining and informational.  
E-skip alerts! Tropo alerts! DX discussion and more!**

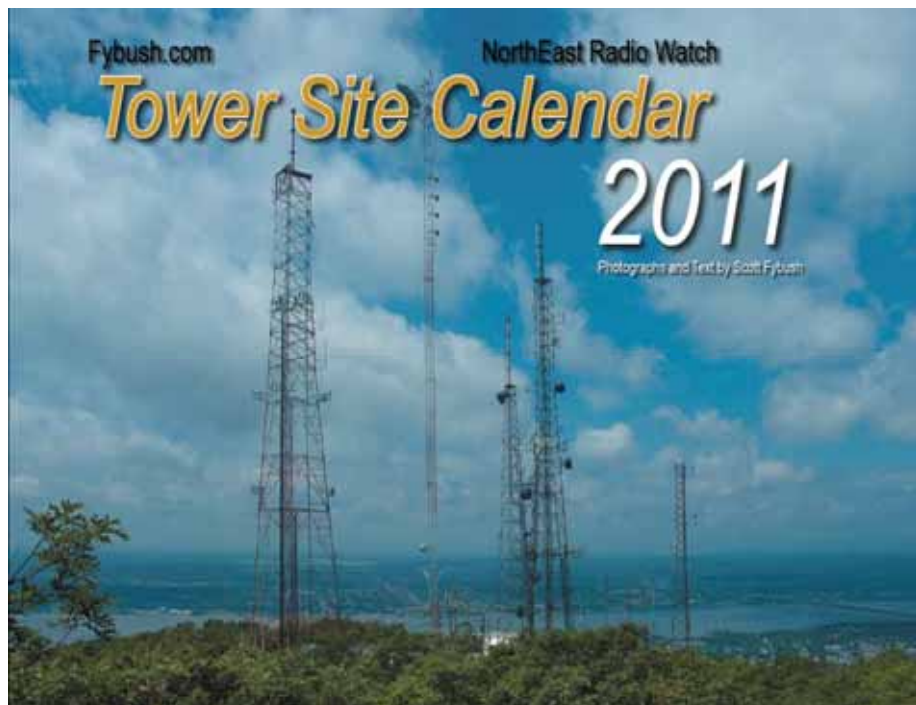
*For WTFDFA members! Sign Up Today!*

**The WTFDFA list with 194 users...send an email to [tvfmdx-subscribe@wtfda.info](mailto:tvfmdx-subscribe@wtfda.info)**

And for AM Dxers there's the AMDX list. To join, send a blank email to [amdx-subscribe@wtfda.info](mailto:amdx-subscribe@wtfda.info)

## **“TOWER SITE CALENDAR 2011”** *Quirkily beautiful wall calendar celebrates 10<sup>th</sup> anniversary*

ROCHESTER, N.Y. –Radio fans no longer have to wait for gorgeous glossy pinups of AM, FM and TV transmitters. The 2011 Tower Site Calendar has rolled off the presses and is now on sale for its 10<sup>th</sup> consecutive year.



The 12-month wall calendar, which features a monthly photo of a well-known broadcast transmitter site, is photographed and written by Scott Fybush, the creator of “Tower Site of the Week” ([www.fybush.com/featuredsite.html](http://www.fybush.com/featuredsite.html)) and “NorthEast Radio Watch” ([www.fybush.com/nerw.html](http://www.fybush.com/nerw.html)).

The full-color 12-month calendar has become an annual tradition for many radio engineers and a novelty for those who think all radio towers look alike.

“For many people, they are a very popular holiday gift,” says Fybush.

Once again, each month of the calendar features an 8 ½ ”x11” color photograph of a broadcast transmitter site taken by Fybush during his travels around the U.S., Canada, Mexico and beyond. The sites pictured on the 2011 calendar include many dramatic vistas:

- Picturesque Mount Beacon, overlooking New York’s Hudson Valley
- WPGW in Portland, Indiana, on Highway 67.
- Georgia Public Broadcasting’s 312-foot tower atop historic Stone Mountain
- Mount San Antonio, the major local television broadcast site for Tijuana, Mexico
- KTKT, just west of downtown Tucson
- 60-year-old WCAP in Lowell, Massachusetts, north of Boston
- KWMT in Fort Dodge, Iowa, one of the largest-coverage AM signals in the country
- WCLO, the hometown radio station of Janesville, Wisconsin
- KEVA, an AM stereo station in Evanston, a town in southwest Wyoming
- The five towers of WAEB in Allentown, Pennsylvania, seen before they were vandalized last year
- Pinnacle Hill in Rochester, New York, one of the country’s most centrally located tower farms
- Tiger Mountain, rising almost 3000 feet above sea level east of Seattle
- The broadcast site of one of Idaho’s oldest radio stations, KID in Idaho Falls
- A stunning night shot of KFI Los Angeles

In addition to tower photos, the calendar’s monthly pages include significant dates in radio and television history, as well as civil and religious holidays.

The 2011 calendars cost \$18 each, postpaid (\$19.44 including sales tax for New York State residents), and can be purchased by check (payable to “Scott Fybush”) or money order to 92 Bonnie Brae Avenue, Rochester NY 14618. Orders can also be placed with major credit cards at [www.fybush.com](http://www.fybush.com).

“I’ve traveled all over the country to see radio stations, often after an engineer invited me,” says Fybush, who also edits The Radio Journal and the radio directory site 10000watts.com and anchors newscasts for NPR member station WXXI in Rochester, NY.

**CONTACT:** Scott Fybush, 585-442-5411 ([scott@fybush.com](mailto:scott@fybush.com))

## SIGN UP/Renewal form

Name \_\_\_\_\_

Address \_\_\_\_\_ Apt # \_\_\_\_\_

City \_\_\_\_\_ State/Prov \_\_\_\_\_ Zip \_\_\_\_\_

Country \_\_\_\_\_ Interests: TV ( ) FM ( ) 30-50( ) Weather( )

email address \_\_\_\_\_

Sign me up/renew me for: 1 year ( ) 2 years ( ) More ( )

Yearly dues \$24 (US), \$26 to (CANADA), \$10 (Electronic VUD)  
(Students get a discounted rate of \$15 yearly for the paper VUD.)

**Mail your dues to: WTFDA, P.O. Box 501, Somersville, CT USA 06072**

**Make your checks/money orders payable to: WTFDA**

**And *thanks* for your support of the WTFDA!**

Return this form with your dues or make a copy of it and return that.

### MORE MAILBOX...

Just a couple of quick notes before I forget. I forgot to credit the cover picture for the October VUD to WTFDA member Paul Mitschler of Albuquerque. Paul is a great help and I'm glad he's here. Also I would like to

report that long time WTFDA member George Hamer of Brooklyn, N.Y. passed away sometime during the summer and all of his VUDs were sent back to me. Four were sent back and one was marked "deceased".

### TV NEWS CONTINUES FROM PAGE

KPTS\* Hutchinson KS 8 2301 PSIP  
8-1(KPTS PBS pri ch en HD), 8-2 (KPTS "Explore"  
en stretchovision), 8-3 (PBS Create)

KTWU Topeka KS 11 2302 PSIP  
Only Log (decoded 11-2 in scan)

KOZK Springfield MO 23 2304 PSIP  
21-1 (KOZK PBS/OPT), 21-2 (OPT Ed), 21-3 (PBS  
Create)

KWCH\* Hutchinson KS 19 2316 PSIP  
12-1 (KWCH CBS), 12-2 (KWCH WX)

KMYT Tulsa OK 42 2318 PSIP  
41-1 (KMYT My Net), 41-2 (Untamed TV)

Some observations. KSAS, and Smoky Hills Public Television (KOOD) use \*actual\* RF channels in their station ID slides/videos instead of remapped PSIP. However KSAS sister station KMTW uses its PSIP channel in the station ID slide.

Smoky Hills Public Television has a long HS Football scoreboard show showing footage of Central and Western KS HSF games seen in progress at 10:43pm and ending at 11:30pm Central.

As noted, the KAKE reception (RF 24) was of its "Digital Replacement Translator" (actually its original DTV

channel) to supplement primary KAKE VHF channel 10.

New Logs: KWCH, KPTS, KSNW, KOOD, KSAS, KMTW.

---

**Dennis Park Smith**  
3605 Sam Remo Drive  
Santa Barbara, CA 93105-2523  
Tel: (805)687-7803  
Times 24-hour PDT

This report is for September 2010. Tropo ducting was best (not terrific) early in month with low air layer boundary at 1500 feet or lower. Any high pressure promoted air-layer stability and improved the ducting, but overall was only fair, perhaps due to cold ocean-water temps.

Sep 1-6	Variably fair-poor (some good)
Sep 7	Very poor (layer boundary high, 3000 ft)
Sep 8-9	None (cold weather front)
Sep 10-11	Very poor, improving (high pressure)
Sep 12-19	Var. poor to fair
Sep 20	Very poor
Sep 21-23	None (low pressure, cooler)

(Continues on page 31)

**THE WORLDWIDE TV-FM DX ASSOCIATION  
THE VHF- UHF DIGEST  
P.O. Box 501, SOMERSVILLE, CT 06072**

Opinions expressed in this publication are those of the individual contributor and do not necessarily reflect the views of the publisher or board of directors. We reserve the right to edit material to meet publishing standards. Unless previously agreed upon in writing, all material submitted for publication in the VHF-UHF Digest becomes the property of the WTFDA. Reproduction of material from the VHF-UHF Digest without permission of the WTFDA is prohibited. Individuals and other organizations are granted such permission providing proper credits is given to the source.



***Established 1967***



## **FIRST CLASS MAIL**

**NOW! JOIN AND RENEW USING PAYPAL!**

Now you can pay for your dues by check, money order and ONLINE with Paypal! If you have a Paypal account you'll be done in a matter of seconds! Pay at our Paypal webpage at <http://www.wfda.org/join.html>.