

VHF-UHF DIGEST

The Official Publication of the Worldwide TV-FM DX Association

MAY 2013

The Magazine for TV and FM DXers



Photos by Ivan Dias



Visit Us At www.wtfda.org

Spring! Finally!
Can Es Be Far Behind?

THE WORLDWIDE TV-FM DX ASSOCIATION

Serving the UHF-VHF Enthusiast

THE VHF-UHF DIGEST IS THE OFFICIAL PUBLICATION OF THE WORLDWIDE TV-FM DX ASSOCIATION DEDICATED TO THE OBSERVATION AND STUDY OF THE PROPAGATION OF LONG DISTANCE TELEVISION AND FM BROADCASTING SIGNALS AT VHF AND UHF. WTFDA IS GOVERNED BY A BOARD OF DIRECTORS: DOUG SMITH, GREG CONIGLIO, KEITH MCGINNIS AND MIKE BUGAJ.



Editor and publisher: **Mike Bugaj**

Treasurer: **Keith McGinnis** wtfda.org Webmaster: **Tim McVey**

wtfda.info Site Administrator: **Chris Cervantez**

Editorial Staff: **Jeff Kruszka, Keith McGinnis,**

Fred Nordquist, Nick Langan, Doug Smith,

Peter Baskind, Bill Hale and John Zondlo,

Our website: www.wtfda.org; Our forums: www.wtfda.info



The Mailbox

P.O. Box 501 Somersville, CT 06072

Mike Bugaj - Enfield, CT mikeb@wtfda.org

MAY 2013



Finally! The sun feels warm and the howling winds have subsided. The grass is almost ready for mowing. The sky is hazy and the leaves are beginning to appear on the trees.

Dang, it was a rough winter and we're just itching for some Es and tropo, but we haven't seen any skip yet. May is the month when we really begin to expect some Es. It may happen and it may not. Let's hope for the best.

Our condolences to those of you who may still have snow on their lawns. There is a spring and it will be arriving soon.

MEMBERS AND MORE

This month we welcome back to the club **Danny Buntin** from Stillwater, OK. Danny was a long time member and Southern FM DX column editor. Welcome back, Danny!

During the period from 3/19 through 4/13 we received renewals from **Allan Dunn**(MA), **Tim Katlic** (CA), **Pat Dyer** (TX), **David Cox** (AL), **Bill Dvorak** (WI), **Pete Taylor** (WA), **Chris Dunne** (FL), **Joe Perge** (OH), **Ray Dees** (GA), **Sid Emmons** (NY), **Ivan Silva** (BRA), **Adam Ebel** (VA), **Bill Hepburn** (ON), **John Lentz** (WI), **William Thompson** (MD), **Roger Gravelle** (ON) and **Tim Clampit** (MI). Thank you all for supporting the WTFDA.

Danny Buntin wrote: "I'm an old hand in the FV-FM Dxing hobby who retired from it since around 2001 and now looking to possibly renew or reengage my interest in the hobby. Since retiring from the postal service, having more time to DX at the best times is now possible for me.

I had been the Southern FM DX editor for 19 years from April 1978 to April 1997. It's nice to see a few old names in the hobby still trying to be active, such as John Zondlo and you."

Currently Danny uses a Onkyo T9090 MKII tuner and a Sony HD radio.

THE 99¢ FM RADIO

Back in March I ran a photo of the World's Tiniest FM Radio in the Mailbox. I was asked for more information on that item. Unfortunately, that ad for the 99¢ radio came from a flyer from Building 19, a discount store in the Boston area that bills itself as selling "good junk cheap." What that boils down to is that you cannot order these online or through the mail. You need to go to a store and buy one if they haven't already sold out. I do wonder if these radios actually work.

A NEW PREAMP

Gary Hickerson recently reported on a new product: "A friend of mine, was trying to get the #7777 with the 2 inputs (old style), but couldn't find one. I think he was talking to Solid Signal. I believe it was them, that suggested another preamp. It was the NEW Antennacraft 10G222. It has 2 inputs one VHF other UHF. It has 29 db gain for VHF & 29db gain for UHF. He ordered it and he said it was HOT. It sells for \$62.99 at Radio Shack but he got his for \$33.95 off of Amazon. The other model is the 10G221, Everything the same as 222 except it is 16 db gain VHF & 22 db gain UHF. It sells for \$57.99 at RS. They have "surface mount" tech. Who knew !!!

FM TRAPS

Karl Zuk posted this on the tvfmdx list recently: "Viewing over-the-air digital television can be a challenge. Ever since the digital cut over in June of 2009, WPIX-DT 11 and WNET-DT 13 have been hard to get. I had presumed that this was caused by these stations

switching back to their original high VHF analog operating frequencies. Most New York City stations broadcast digital TV on UHF frequencies. After the digital cut-over, WABC, WPIX and WNET all reverted away from temporary UHF assignments back to their old analog channels. Field strength analysis web sites, like dtv.gov, suggested all three of these stations sent considerable signals my way. Why could I not bring them in?

Since about the year 2000, I have been using a Channel Master CM4228A 8-bay bow-tie antenna for digital television reception. This antenna was originally purchased in 1985 and is now on its second house! Its simple design and low wind resistance make it very hard to kill. Using the CM4228A, Channels 11 and 13 often drop out and die at the worst moments, so I began experimenting for a solution towards better reliability.

Poking around my attic, I discovered an old friend that I had nearly forgotten. Back in the good old days of analog TV, I had mounted a small TV antenna in my attic for use during power blackouts. My primary CM4228A used a phantom-powered antenna mounted pre-amplifier, so without power I could see nothing! Quickly switching to my backup antenna was a Godsend when watching battery-operated TVs sitting in the dark! It is a compact Finco VHF/UHF combo antenna designed for suburban use where strong signals reign.

To give you an idea just how old this antenna is, I bought it while employed by Arrow Electronics back in 1975. Not bad for only 38 years old! Since it had never been mounted outside, the antenna is in great condition and still works well. Would it provide enough signal to resolve DTV all the way out at my QTH 45 miles from the transmitter? Amazingly, it did!

One thing piqued my curiosity: I use an indoor distribution amplifier to boost the antenna to several TV sets in my house. When the FM trap switch was off, channel 11 and 13 disappeared. When the FM trap was switched in, reception reappeared like magic. But why? My little inexpensive pre-amp is certainly quite capable of creating good spurious images. My two strongest nearby FM stations are WHUD Peekskill 100.7 and WFME 106.3 Mt. Kisco. Multiply these frequencies by two and the results tell the story: 201.4 (right in the middle of TV channel 11 198-204 MHz) and 212.6 MHz (within TV channel 13 210-216 MHz.) Removing these FM signals before amplification make all the difference. Aha! The mystery of the elusive Channels 11 and 13 was solved! Aren't FM traps a wonderful invention?!?

With my compact antenna, snuggled up into the eaves of my attic with a bracket and a leftover length of PVC pipe, I can receive 30 unduplicated TV services all the way from New York City. Not bad! The moral of our story: The world is ever changing. Adapt to it!

ODD SUB-CHANNELS?

An email from Cal Glover asked me a question I can't answer. Maybe you can. Cal wrote "Did a rescan with my Magnavox DTV converter this (Saturday), and it added some very odd DTV sub-channels: 3.11; 10.11; 13.11; and 15.11. On these channels are programs that are also showing on the regular HamptonRoads/Norfolk channels, but the signals on the .11 suffix are a bit stronger.

On some of the .11 channels, the color is not 100% stable, and the sound is a little "boomy." I am wondering if these odd channels are from a repeater somewhere that is mapping some of the Norfolk area channels. And possibly a satellite is feeding the repeater? Or this might be some sort of test, because the signal comes and goes? I'm getting a 16-20 percent signal strength right now.

There are quite a few dormant TV transmitters down here on the Outer Banks. I'm wondering if one of the enterprising channel owners has set up some sort of repeating deal with some of the channels up Norfolk—which are just a bit beyond the reach of reliable reception, thanks to the "cliff effect."

I'm also wondering if you have heard of such a repeater service operating elsewhere in the country. The .11 suffix leads me to think that Manteo's channel 11 might be back on the air. But then again, the .11 suffix might be reserved for repeaters and translators?

If this is the case, this would be most welcome. At the moment, there are no alternatives to cable or satellite down here.

Have you heard of any similar situations?"

LIGHTNING SCATTER

It sounds like **Ed Phelps** is having a great time pointing his antenna into squall lines. Ed asks: "Bored? No E-skip? No tropo? Need something to do? Why not try Lightning Scatter?"

What you'll need... A good UHF antenna with a rotator, a receiver capable of tuning the upper UHF channels (frequencies) in SSB or CW mode, another receiver to monitor for lightning events. (an analog TV, tuned to channel 2, or a broadcast band radio, tuned to an open frequency, will work), a cluster of thunderstorms about 150 to 200 miles from you, fairly high powered, upper UHF channel, DTV (or, if you're lucky, analog) station, 300 to 500 miles from you, in the same direction as the thunderstorms.

Here's what I've been doing... As I type, I have the antennas aimed at KGAN 51/2 Cedar Rapids, IA. (420 mi) through a cluster of storms in eastern MO. Using the Icom R-7000 receiver, in SSB mode, I'm tuned to the DTV channel 51 pilot carrier frequency of 692.31. I also have the analog TV parked on channel 2 so I can watch the picture jump when lightning events occur. Via normal tropo scatter, I can

(Mailbox continues on page 8)



TV News

Douglas E. Smith
1389 Old Clarksville Pike
Pleasant View, TN
37146-8098
w9wi@w9wi.com
<http://www.w9wi.com>

May 2013

Abbreviations:

AF	Applied For (a new station)	NW	New station on the air
Aux	Auxiliary (backup) transmitter	PA	Proposed Amendment
CC	Callsign change	PC	Power (and/or tower height) change on the air
CL	City-of-license change	PG	Power change granted
CX	Canceled	PR	Power change requested
DC	Converted to DTV	RA	Returns to the air
DCC	Digital Companion Channel	QC	Channel (frequency) change on the air
NS DCC	Granted flash-cut to DTV	QG	Channel change granted
DE	License/permit deleted	QR	Channel change requested
DR	Requests flash-cut to DTV	RE	Reinstated (previously-dismissed app.)
FC	Programming (forma?) change	ROA	Request of Applicant
FTP	Failure to Prosecute	SI	Off the air (silent)
GA	Granted amendment (to table of channel allotments)	STA	Special Temporary Authority
LC	License to Cover	XC	Transmitter site changed
MX	Mutually Exclusive	XG	Transmitter site change granted
NDA	Non-directional antenna	XR	Transmitter site change requested
NS	Permit granted for new station	lpdtv	Low Power Digital TV
DG	Granted conversion to DTV	DRT	Digital Replacement Translator

News:

(full-power digital stations in **bold face**; LPTV and translators in regular type; full-power analog stations in ***bold italics***; low-power analog stations in *regular italics*)

CANADA



Manitoba
Minnedosa

9 CKND-DT-2 DR from 2,
30.5kw/374m



Quebec
Perce

11 CHAU-DT-5 QG from 13



Puerto Rico
Mayaguez

36 WNTE-LD NW 15kw, 18-09-00/
66-59-00



USA



Alabama

Decatur	35 WSWH-	CC from W35DG
Enterprise	26 WGEI-LD	CC from W26EI
Montgomery	21 WHDK-	CC from W21DK
Scottsboro	31 WNAL-LD	CC from W31DX
Troy	17 NEW-lpdtv	AF dismissed
Tuscaloosa	46 WRTD-LD	CC from W46BU
Tuscaloosa	47 WEEL-LD	CC from W47EL



Arkansas

Fayetteville	16 KAJL-LD	CC from K16JL
Fort Smith	20 KFLU-LD	CC from K20LU
Hot Springs	14, KQPS-LD,	PR>15kw; PG; CC
	34, K34MO,	from K14PS
	41 K41NH	



California

Atascadero	46 KCCF-LD	PR<710w, 35-16-51/ 120-48-41; PG
Chico	26 KQLY-LD	CC from K26LY
Eureka	35 K52FK	DR from 52, 15kw, 40- 43-36/ 123-58-27
Fresno	6 KJKZ-LP	QR from 27, 3kw
<i>Inyokern</i>	6 KLOA-LP	PR<749w, 35-28-41/ 117-41-58
Los Angeles	6 KSFV-LD	AF DCC for analog st. on same channel dismissed, KKJZ-88.1 objection
Los Angeles	12 KTBV-LD	PR>1kw, 34-19-27/

Los Angeles	22 KSFV-CD	118-34-50 NS 8kw, 34-13-55/ 118-04-18; DCC for analog ch. 6
Morro Bay Redding	9 K09UF 32 NEW-lpdtv	CX AF 15kw, 40-15-31/ 122-05-20; DCC for K50GP
Santa Maria	7 K07TA	CX



Colorado

Dove Creek	15, K15GU, 17, K17GE, 19, K19GB, 21, K21GT, 23 K23GF	PR<235w, 37-48-54/ 109-25-28; PG
------------	--	-------------------------------------



**Connecticut
Hartford**

33 WFSB	AF 20kw/ 221m (aux) (amendment from 256m)
---------	---

Stamford	19 W27CD	DC from 27, 6.05kw, 40-45-26/ 73-42-52; site is near Lake Success, L.I.
----------	----------	--



Delaware

Georgetown	42 W42EI	XR 38-45-24/ 75-09- 19; XG
------------	----------	-------------------------------



Florida

Fort Walton Beach	29 WEDS-LD	CC from W29DS
Gainesville	25 WFEO-LD	CC from W25EO
Miami	9 W43AD	QR from 43
Ocala	50 WFEF-LD	CC from W50EF
Palm Beach	49 WFGC	PC>1000kw/ 123m
Panama City	19 WIDM-LD	CC from W19DM
Perry	15 WSFD-LD	CX
Tallahassee	31 WDDM-	CC from W31DM
Vero Beach	10 WWCI-CA	DC 1.8kw, 27-36-13/ 80-23-04



Georgia

Atlanta	22 WSKC-CD	PC>15kw
Augusta	25 WOEP-LD	CC from W25EP
Columbus	11 WTVM	PR 39.2kw/ 554m, 32-19-16/ 84-

Columbus	17 WRDP-LD	47-28; amended to 31kw CC from W17DP
La Grange	33 WJCN-LP	DC 10kw
Savannah	26 NEW-lpdtv	AF 15kw, 32-02-42/ 81-07-21; DCC for W43CK
Savannah	43 W43CK	Permit to flash-cut to DTV on ch. 43 CX; see above
Valdosta	30 WVCZ-LD	CC from W30CZ



Idaho

Boise	25 KFLL-LD	CC from K25LL
Coeur d'Alene	18 K18DT	PG>15kw
Georgetown	7 NEW-lpdtv	AF 25w, 42-30-07/ 111-20-31
Holbrook	30 NEW-lpdtv	AF 400w, 42-08-19/ 112-37-37
Kamiah	11 K11KO	DG 10w, 46-11-49/ 116-02-34
Nampa	42 KCDL-LD	NW 10.86kw, 43-37- 51/ 116-32-55 (Impacto Net.)



Illinois

Champaign	15 WFDE-LD	CC from W15DE
Chicago	44 WLS-TV	NW 1000kw/ 437m, 41-53-56/ 87-37-23 (aux)
Chicago	44 WLS-TV	NW 908kw/ 475m (aux)
Decatur	20 NEW-lpdtv	AF 15kw, 39-48-35/ 88-59-31; DCC for W29BG
E. St. Louis	47 WRBU	FC; drops MeTV on 46.2
Effingham	30 WEDK-LD	CC from W30DK
Jacksonville	49 WEEJ-LD	CC from W49EJ
Rockford	17 WIDN-LD	CC from W17DN
Springfield	14 WBDI-LD	CC from W14DI



Indiana

Fort Wayne	49 WODP-	CC from W49DP
Kokomo	12, WKGK-LD, 50 WKGK-LP	CX



Iowa

Fort Dodge	43 KEOF-LD	CC from K43OF
Sioux City	16 KEJK-LD	CC from K16JK
Spencer	18 K18KG	DG from K55FL, 6.9kw; DC
Spencer	21 KBVK-LP	DG from 52, 6.8kw; DC



Kansas

Goodland 10 KBSL-DT PC>82.4kw/ 274m
 Topeka 16 KAJF-LD CC from K16JF
 Topeka 33 K33IC DR 15kw; DG
 Wichita 24 NEW-lpdtv AF 15kw, 37-48-01/
 97-31-29; DCC for ??
 Wichita 30 KSMI-LP DR from 51, 15kw, 37-
 48-01/ 97-31-29



Louisiana

Crowley 38 K38OF PG<320w, 30-13-56/
 92-34-38



Maine

Fairfield 41 WFYW- DG 5.31kw



Maryland

Ocean City 40 W40DP XR 38-24-18/ 75-36-
 03; XG
 Towson 19 WMJF-LP DR from 16 dismissed
 Towson 39 NEW-lpdtv AF 5kw, 39-24-10/ 76-
 36-12; DCC for ??



Massachusetts

Pittsfield 19 WRGB – NEW 15kw, 42-32-37/
 0409AAR 73-17-16; DRT for ch.
 6 Schenectady, NY



Michigan

Detroit 33 W33BY DG 4kw, 42-24-29/ 83-
 05-30
 Kalamazoo 30 WXMI – AF 15kw, 42-18-24/
 0409ABA 85-39-25; DRT for ch.
 19 Grand Rapids
 Midland 23 WIEK-LD CC from W23EK
 Petoskey 34, W34CR, CX
 41 W41CK



Minnesota

Blue Earth 70 K70DR renewed

Frost 21, K21KF, NW 3kw, 43-35-09/ 93-
 47 K47MI 55-46
 Jackson 30 K30KQ NW 3kw, 43-35-09/93-
 55-46



Mississippi

Clarksdale 20 W20DW PR>15kw; PG
 Cleveland 38 WPYM-LD CC from W38FG
 Jackson 8 WBXK- CX
 McComb 49 WEAZ-LD CC from W49ED



Missouri

St. Louis 24 KMOV FC; adds MeTV on 4.3
 Saint Joseph 30 KNPG-LD CC from K30ND



Montana

Loma 29 NEW-lpdtv AF 243w, 47-56-23/
 110-29-50
 Toole 38 K38DZ DC 410w, 48-51-17/
 111-08-29
 Poplar 22 K55BX DC from 55, 245w
 Scobey 26 NEW-lpdtv AF 239w, 48-47-51/
 105-21-24



Nebraska

Lincoln 34 KQLD-LD CC from K34LD
 North Platte 27 KHGI-CD PR>15kw
 Scottsbluff 9 K09YH PC>500w



Nevada

Carson City 16 KQJB-LD CC from K16JB



New York

Binghamton 26 W26BS DG 15kw
 Gouverneur 9 W09CV DG 250w
 Hempstead 20 W20CQ PR<1.25kw, 40-47-44/
 73-27-42; PG
 Kinderhook 15 WEPT-CA CC from WNYA-
 New York 6 WNYZ-LD PG>1kw
 Ogdensburg 20 W20CV DG 350w
 Olean 30 W30BW DG 1kw



North Carolina

Asheville	50	WASV-LD	DC 15kw
Fayetteville	15	WNCB-	CC from W15DH
Greenville	14	WIED-LD	CC from W14ED
Jacksonville	30	WPDL-LD	CC from W30DL
Lumberton	41	WHEH-	CC from W41EH
New Bern	36	WAET-LD	CC from W36ET
Washington	39	WGDO-	CC from W39DO
Wilmington	45	WIDO-LD	CC from W45DO



North Dakota

Minot	21	K21CQ	DG 2.5kw
-------	----	-------	----------



Oklahoma

Ardmore	36	K36KE	XR 34-12-10/ 97-09-12
---------	----	-------	-----------------------



Oregon

Bend	7	KBNZ-LD	PG>3kw, 44-04-39/ 121-19-57
Eugene	18	KCKW-LD	CC from K18KW
Medford	24	NEW-lpdtv	AF 15kw, 42-26-43/ 123-13-08; DCC for K41IX
Rogue River	17	K17EZ	PR>687w, 42-32-27/ 123-14-52; PG
Seaside	21	K21DE	DC 1.86kw



Pennsylvania

Bedford	29	WJAC – 1126AFR	NW 12kw, 40-11-55/ 78-41-00; DRT for ch. 34 Johnstown
Charleroi	40	WMVH-CA	DR from 26, 15kw, 40- 23-34/ 79-46-54; amendment from 1kw
Erie	48	W48CH	DG 4kw, 41-54-20/ 80- 34-16
Pittsburgh	6	WBPA-LD	PG>3kw
Pittsburgh	26	WOSC-LP	DC from 61, 15kw



South Carolina

Florence	35	WUCV-	CC from W35CV
Myrtle Beach	23	WLDW-LD	CC from W23DW



Tennessee

Knoxville	7	WKNX-TV	CC from WMAK
Morristown	43	WKXT-LD	CC from W43DR



Texas

Abilene	38	KEOT-LD	CC from K38OT
Abilene	40	KTES-LP	DR 15kw, 32-24-48/ 100-06-25
Amarillo	22	KLKW-LD	CC from K22LK
Beaumont	40	KBMN-LD	CC from K40NM
Beaumont	50	KOPS-LD	PR>15kw; PG
Centerville	40	K40KX	PR<700w, 31-16-56/ 95-53-42
College Stn.	34	KZCZ-LD	CC from K34MN
Hereford	44	KYAM-LD	XR 35-12-27/ 101-50- 19; XG
Lubbock	29	KNKC-LD	CC from K29KC
Lufkin	20	KAKH-LD	CC from K20KH
McAllen	44	KNUC-LP	DR from 69, 15kw, 26- 06-01/ 97-50-21
Midland	32	KKSB-LD	CC from K32LL
Mineral Wells	47	K47NT	XR 32-51-05/ 98-06-31
Port Arthur	46	KULC-LD	CC from K46LC
San Angelo	31	KANG-LP	CC from KEUS-
San Angelo	41	KEUS-CA	CC from KANG-
San Antonio	20	KRTX-LD	CC from K20BW
Sherman	38	KGNE-LD	CC from K38NE
Sweetwater	49	KAOM-LD	CC from K49MX
Tyler	27	KDKJ-LD	CC from K27KJ
Uvalde	15	K15BV	PG>990w, 29-15-41/ 99-44-54
Victoria	7	K07ZM	XR 29-00-51/ 96-34-32



Utah

Caineville	17	NEW-lpdtv	AF 35w, 38-21-38/ 110-53-37
Circleville	17	NEW-lpdtv	AF 65w, 38-12-41/ 112-14-04
Emery	31	K31LG	NW 12w, 38-55-52/ 111-11-25
Henefer	26, 33	K26LF, K33LV	NW 121w, 40-58-40/ 111-26-11
Henrieville	50	K50LU	NW 10w, 37-32-59/ 111-59-22
Logan	15	KUTO-LD	CC from K15JH
Logan	26	KCVB-LD	CX (unnecessary stn. flash-cut instead)
Mayfield	46	K46KT	NW 10w, 39-06-43/ 111-43-03



Virginia
 Bristol 29 WCYB – PR>15kw (DRT for ch.
 0404AAZ 5)
 Marion 42 WMSY- SI
 Norton 32 WSBN- SI



Washington
 Yakima 38 KYPK-LD CC from K380I



West Virginia

Weirton 18 WJPW-CD PG<3.5kw; PC



Wyoming
 Casper 15 NEW-lpdtv AF 15kw, 42-44-26/
 106-21-34; DCC for
 K33GI
 Jackson 2 KJWP CC from KJWY

MAILBOX CONTINUES FROM PAGE 3

hear a very weak carrier on the Icom receiver. During lightning events (as monitored with the analog TV) I hear a rapid, fluttery, enhancement of the DTV pilot signal. I've moved the antennas towards KPXE 51/50 Kansas City (365mi) and I'm getting similar results. (it's a large line of thunderstorms)

A few weeks ago I did this with the antennas aimed through a cluster of storms in eastern TN. During the lightning events I could hear a chorus of channel 51 DTV pilot signals.

Back in the days when there were plenty of high-powered UHF analog transmitters I'd actually get bursts of picture by using the Lightning Scatter mode. WGBO channel 66 near Chicago (350 mi) was my favorite Lightning Scatter, "guinea pig." I've tried this same Chicago path using WPWR 51/50 as the signal source and the Zenith DTT-901 DTV box as a receiver. I've seen the signal, "meter," on the DTT-901, jump to 1/3 scale during lightning events but have yet to get a decode out of it. I'll keep trying, though.

Why the upper UHF channels? I've had the best luck with them over the years.

Will this work with FM? Yes, so I've been told. (I don't pay any attention to FM)

There's no shortage of thunderstorms this time of year so why not have some fun with them. Try it and see what happens. Share your results."

FACEBOOK

Remember folks, the WTFDA Group is there on Facebook and you are welcome to join it. This a group just for WTFDA members to call their own and over 70 of them have become part of it so far. If you haven't, just open up a Facebook account (which takes just one tiny minute to do) and join the group. Just search for WTFDA (in uppers) and join. Do you need to create a Facebook page for yourself? The answer is **NO!** Since its start in December, all kinds of material have been posted there. You might like it.

THE END

And that's all for this time. Sometime in May we should see some Es. And we had better see some Es. See you all next month!
 –Mike



Facebook Group for WTFDA Members

Worldwide TV-FM DX Association PO Box
 501 Somersville, CT 06072 USA

WTFDA-NRC-IRCA-MINNESOTA DX CLUB CONVENTION August 1-4, 2013 Minneapolis, MN



FM NEWS

From WTFDA.info and w9wi.com



BILL HALE, 6124 ROARING SPRINGS DR, N. RICHLAND HILLS TX 76180
w_r_hale@sbcglobal.net

MAY 2013

INDEX OF ABBREVIATIONS

APP: application
APP Mod: Change to an already submitted application
Class: FM license class
CP: construction permit (authority to broadcast with facilities noted)
DA: directional antenna
FF: French language
\$: Stereo

XL: Transmitter Location
[]: Calls in brackets signifies assumed or applied-for status

Note: antenna heights are HAAT except where noted

— CANADA —


— CALL LETTER CHANGES —

QC Val-de-Lacs 106.5 CP CHVL-FM

— FORMAT and SLOGAN CHANGES —

BC Kelowna 103.9 CJUI-FM > Oldies-Classic Hits remaining *The Juice*
NB Fredericton 92.3 CFRK-FM > CHR: *Hot 92.3*
NS Antigonish 98.9 CJFX-FM > Oldies-Classic Hits [includes CJFX-FM1 102.5 Inverness and CJFX-FM2 102.5 Pleasant Bay]
ON Hamilton 95.3 CING-FM > Adult CHR: *95.3 Fresh-FM*

— TECHNICAL CHANGES —

BC Prince George 93.1 CFIS-FM > 494 W/< -35 m, XL to 53-53-58/122-46-00; Class A (from VLP); Mono; will replace a 'developmental' station with this permanent facility 
ON Paris 89.1 CBLA-FM2 > 13.5 kW/221 m DA, 43-15-39/80-26-38; Class B; Mono
ON Sioux Lookout 95.3 CBLS-FM 500 W/182 m, 50-04-26/92-01-29; Class A; Mono; will replace low-power stations CBLS-1240 Sioux Lookout and CBQW-1340 Hudson
NB Fredericton 96.5 CIXN-FM > 250 W/82 m, XL to 45-51-30/66-39-17; Class A1 (from LP); Mono (from \$)


— TECHNICAL CHANGES —

GRANTS FOR NEW STATIONS

AB Wainwright 93.7 CKWY-FM CP granted for: 50 kW/170 m, 52-59-41/110-31-59; Class C1; \$; will replace CKWY-830; the new FM station will continue the current Country format
BC Creston 106.1 CP 2.8 kW-V/602 m DA, 49-09-56/116-40-39; Class B; \$; will be Adult Hits/Hot Adcon
QC Murdochville 97.7 [CBGA-FM20] 98 W/367 m, 48-57-56/65-28-40; Class A; Mono; will replace CBGA-6 on 1270 kHz
QC Sherbrooke 90.7 CBFX-FM2 25 kW-H/173 m, 45-23-48/71-49-52; Class B; \$; will be CBC-F
QC Trois-Rivières 104.3 CBFX-FM1 100 kW/250 m DA, 46-30-10/72-38-13; Class C1; \$; will be CBC-F
QC Val-de-Lacs 106.5 CHVL-FM 5 W-V/-4 m, 46-10-56/74-20-32; Class LP; \$; will be FF Community - Developmental [Radio Vallacquoise Incorporated]
QC Weedon 98.5 VF8027 1 W-V/3 m, 45-45-22/71-24-50; Class LP; Mono; will be limited operation FF Religious [Fabrique de la Paroisse de Saint-Gérard]
QC Weymontachie 92.3 [CBFG-FM1] 85 W/13 m, 53-46-43/78-53-24; Class A1; Mono; will replace CBFA-3 on 750 kHz with CBC-FF programming



— TECHNICAL CHANGES —

— APPLICATIONS FROM EXISTING/PROPOSED FACILITIES —




AB Calgary 97.7 CHUP-FM Applies for: Removing the requirement that 30% of all musical selections must be folk or folk oriented
BC Wells 92.5 APP 2.25 W/-211 m, 53-06-10/121-34-03; Class VLP; \$; will be an English Developmental Community Station 
NB Fredericton 104.5 CJRI-FM > 1.5 kW/> 55 m, XL to 45-56-16/66-39-30; Class A (from VLP); Mono (from \$); move to 95.1
ON Toronto 103.9 CIRR-FM > 250 W/> 156 m DA, XL to 43-40-14/79-23-14; Class A (from A1); \$

— APPLICATIONS FOR NEW STATIONS —

AB Banff 107.9 CJXB-FM Applies for: 550 W/-326 m DA, 51-11-21/115-32-37; Class A; \$; would be Adult Alternative

BC Creston	106.1	APP	2.8 kW-V/602 m DA, 49-09-56/116-40-39; Class B; \$ (would be Hot AC and be branded as 'The Bridge')	
BC Wells	92.5	APP	2.25 w/(-)211 m, 53-06-10/121-34-03; Class VLP; \$ (would be a Developmental Community Station) [Wells Community Radio Association]	
BC Surrey	xx.x	APP	The CRTC has issued a 'Call For Applications' after receiving an application from South Fraser Broadcasting for a new English-language commercial FM station in this Vancouver suburb	
NF Clarenville	107.5	CKSJ-FM1	25.5 kW-H/126m DA, 48-07-40/53-56-31; Class B; \$; would relay CKSJ-FM 101.1 St. John's	
NS Windsor	99.3	CKWI-FM	45 W-V/6 m, 44-59-33/64-08-21; Class LP; \$; would be Country/Pops	
ON Mount Forest	88.7	APP	6 kW-H/100 m, 43-59-00/80-43-59; Class A; Mono; would be an English community station	

— OTHERNEWS —

AB Edmonton	101.7	CKER-FM	License renewed along with approval that station's requirement to serve the number of ethnic groups, as well as the number of languages must be broadcast, is reduced from 19 to 12.	
BC Vancouver	93.1	CKYE-FM	License renewed along with approval to delete condition of its licence dealing with Canadian Talent Development.	
MB Portage La Prairie	93.1	CFRY-FM1	Currently licensed as a 'secondary transmitter' of CFRY-920, the owners have applied to convert the FM station to a separate license and change the programming to a Classic Rock format. The action is slated to be considered at the June 26 CRTC hearing.	
MB Winnipeg	107.1	CFEQ-FM	Application approved to devote no less than 70% of all musical selections each broadcast week to concert/jazz and blues/popular music (from not less than 95% non-classic religious).	
NB Shediac	89.5	CJSE-FM	License renewed along with approval for this French-language community radio station to delete the condition of licence concerning the broadcast of Aboriginal-language musical selections; affects CJSE-FM1 92.5 Memramcook and CJSE-FM2 107.5 Baie Sainte-Anne.	
NS Halifax	95.7	CJNI-FM	License renewed along with approval to reduce their requirement to broadcast local programming from 50% to 33%.	
NS Halifax	103.5	CKHZ-FM	Application approved to decrease Canadian content from 40 to 35% between 6AM-6PM Monday to Friday.	
ON Ottawa	98.5	CJWL-FM	Exemption granted from the Hits Policy (a regulation that states that less than 50% of all on-air musical selections shall be considered hits) (unique to the Ottawa-Gatineau and Montreal markets).	

— UNITED STATES AND TERRITORIES —

— CALL LETTER CHANGES —

FULL POWER and LPFM STATIONS

	<u>Old Call</u>	<u>New Call</u>		<u>Old Call</u>	<u>New Call</u>
AK Anvik	89.5 CP	KMGS	MO Deerfield	100.7 CP	KSHQ
AK Grayling	90.5 CP	KGYA	NM Truth or Consequences	91.1 KRJY	KLCF
AK Holy Cross	91.5 CP	KLOP	NY Dansville	93.9 WDNY-FM	WMRV
AK Shageluk	88.5 CP	KNKO	NC Knightdale	106.1 WRDU	WTKK
AZ Sierra Vista	88.9 CP	KUAS-FM	NC Wake Forest	100.7 WRVA-FM	WTKK
CA San Simeon	90.9 CP	KSIY	then . . .	WTKK	WRDU
CO Springfield	91.7 KLXD	KTTE	OH Ashtabula	96.1 CP	WOHA
FL Islamorada	93.5 CP	WZFL	OH Circleville	107.1 WNKK	WHOK-FM
GA Canton	105.7 WWVA-FM	WRDA	OH Lancaster	95.5 WHOK-FM	WZOH-FM
GA Peachtree City	96.7 WWLG	WRDG	OK Kiowa	98.7 CP	KYOA
GA Pinehurst	98.3 WSSY	WCEH-FM	OK Stuart	93.5 CP	KSTQ
IL Arcola	107.9 WIUL	WKIO	OR Huntington	93.5 CP	KHNO
IL Harrisburg	88.1 CP	WIHM-FM	PA Schnecksville	90.3 WXLV	WLHI
IN Morristown	91.3 CP	WWQI	RI Block Island	99.3 WJZS	WMNP
KY Smith Mills	94.5 CP	WBFW	TX Brownfield	89.7 CP	KLTB
LA Monroe	101.9 KNOE-FM	KMVX	TX Lockney	98.9 CP	KBYL
MI Cheboygan	97.7 WQEZ	WJZJ	VA Rutland	90.5 CP	WFTF
MI Glen Arbor	95.5 WJZJ	WQEZ	WA Ephrata	92.3 KULE-FM	KZUS
MI Manistique	92.7 WPIQ	WRPP	WA Napavine	92.9 CP	KVNW
MN New Prague	95.5 KRDS-FM	KCHK-FM	WI Sturgeon Bay	97.7 WSRG	WQDC

TRANSLATOR and BOOSTER STATIONS

	<u>Old Call</u>	<u>New Call</u>		<u>Old Call</u>	<u>New Call</u>
AL Birmingham	94.9 CP	W235BS	AL Daphne	96.9 CP	W245BY
AL Birmingham	100.1 CP	W261BX	AL Florence	95.7 CP	W239BY
AL Birmingham	107.3 W294BL	W297BF	AL Montgomery		
96.5 CP	W243CS		AZ Flagstaff	107.9 CP	K300CI
AL Montgomery	103.9 CP	W280EI	AZ Kingman	96.5 CP	K243BR
AL Muscle Shoals	100.1 CP	W261BY	AZ Lake Havasu City	94.3 CP	K232EI
AL Pell City	94.5 CP	W235BQ	AZ Parks	99.3 CP	K257FI
AL Scottsboro	105.7 CP	W289BV	AZ Payson	98.3 K255AQ	K252FC
AL Selma	101.5 CP	W268BQ	AZ Peach Springs	98.3 CP	K252FF
AL Tillmans Corner	96.5 CP	W243CY	AZ Rancho Vista	103.1 CP	K276FQ
AL Tuscaloosa	97.5 CP	W248BO	AZ Show Low	97.3 CP	K247BM
AK Delta Junction	94.1 CP	K231BU	AZ Star Valley	103.3 CP	K277BX
AZ Casa Grande	96.5 CP	K243BP	AZ Window Rock, etc	97.7 CP	K249EM
AZ Flagstaff	95.5 CP	W238BL	AZ Yucca	106.1 CP	K291BU

AR	College City	94.1	CP	K231BV	CA	Stockton	102.9	CP	K275BT
AR	Dumas	105.3	CP	K287BI	CA	Westwood	101.9	CP	K270BS
AR	Fort Smith	93.1	K224AP	K226BS	CA	Willits	99.1	CP	K256BV
AR	Fort Smith	99.5	CP	K258CE	CA	Woodlake	95.3	CP	K237FL
AR	Marianna	100.1	CP	K261EA	CO	Durango	95.3	CP	K237FK
CA	Bakersfield	95.9	CP	K240EE	CO	Durango	99.3	CP	K257FH
CA	Bellevue	98.1	CP	K251BI	CO	Eagle	96.7	CP	K244ER
CA	Big Bear City	96.5	CP	K243BQ	CO	Greeley	94.5	CP	K233CH
CA	Bishop	91.7	K217EE	K219LU	CO	Grand Junction	95.5	CP	K238BK
CA	Hornbrook	103.1	CP	K276FS	CO	Holyoke	93.7	CP	K229CE
CA	Lompoc	103.7	CP	K279BS	CO	Meeker	94.7	CP	K234CA
CA	Monterey	106.7	CP	K294CA	CO	Steamboat Springs	99.7	CP	K259CC
CA	Orcutt	102.1	CP	K271BV	CT	Bridgeport	104.5	W285DE	W283BS
CA	Palm Springs	93.3	CP	K227BX	CT	Naugatuck, etc	92.1	W250AA	W221CQ
CA	Porterville	97.5	CP	K248BX	FL	Belle Glade	92.5	W220DQ	W223AJ
CA	Shafter	93.7	CP	K229CD					
FL	Fort Meade	100.5	W275AX	W263CE	KY	Frankfort	93.5	CP	W228CL
FL	Haines City	92.7	CP	W224CE	KY	Glasgow	91.5	W217BA	W218CM
FL	Marathon	96.7	W285EK	W244CV	KY	Grayson	100.9	W267BH	W265CH
FL	Melbourne	105.5	CP	W288CG		(From Lexington-Fayette)			
FL	Merritt Island	104.7	CP	W284CE	KY	Catlettsville	93.3	CP	W227CI
FL	Ocala	106.9	CP	W295BO	KY	Sturgis	98.5	CP	W253BJ
FL	Orlando	96.9	CP	W245BX	LA	Baton Rouge	101.1	CP	W266CD
FL	Oviedo	105.5	CP	W288CJ	LA	Lake Charles	100.1	CP	W261EB
FL	St. Augustine	99.5	CP	W258BF	LA	Many	93.9	K232DF	K230BE
FL	Sandy	95.7	CP	W239BZ	ME	Vassalboro	100.9	W263AS	W265CO
FL	Titusville	92.7	CP	W244CE	MD	Lexington Park	88.7	W201CG	W204CL
GA	Americus	96.7	CP	W244CY	MI	East Bay Township	104.9	CP	W285ET
GA	Augusta-Richmond County				MI	Flint	106.5	CP	W293CA
		106.3	CP	W292EE	MI	Marquette	93.3	CP	W227CJ
GA	Cuthbert	89.1	W207CJ	W206CC	MI	Paw Paw	101.7	W266CB	W269CM
GA	Forester	95.9	CP	W240CN	MI	Russellville	97.7	CP	W249CL
GA	Fort Valley	105.1	W287BW	W286CE	MI	Traverse City	94.7	W201CM	W234BU
GA	Montezuma	105.9	W287BV	W290BD	MN	Deer River	92.7	CP	W224CG
GA	Richmond Hill	95.1	CP	W236CC	MN	Hinkley	98.7	CP	W254BY
GA	Rincon	92.5	CP	W223BU	MN	Rochester	94.3	CP	K232EK
GA	Rome	100.3	W265CE	W262CD	MN	Thief River Falls	95.3	CP	K237FJ
GA	Rome	101.9	CP	W270CE	MS	Greenville	93.1	CP	W226BR
GA	St. Simons	99.5	CP	W258BX	MS	Meridian	99.7	CP	W259BP
GA	Savannah	103.5	CP	W278BO	MS	Meridian	100.5	CP	W263CF
GA	Statesboro	96.9	CP	W245BW	MS	Southaven	93.3	CP	W227CK
GA	Warner Robins	95.5	CP	W238CG	MS	Verona	105.7	CP	W289BW
HI	Kailua-Kona	102.3	CP	K272FB	MO	Aurora	92.1	CP	K221FX
ID	Idaho Falls	95.7	CP	K239BN	MO	Brookfield	96.1	CP	K241BT
ID	Idaho Falls	105.1	CP	K286BU	MO	Butler	106.9	CP	K295BV
ID	Lewiston	92.1	CP	K221FW	MO	Canton	102.3	CP	K272FA
ID	Lewiston	99.1	CP	K256BY	MO	Clinton	92.5	CP	K223CF
ID	Lewiston	103.9	CP	K280FQ	MO	Clinton	103.9	CP	K280FR
ID	Montpelier	92.3	CP	K222CC	MO	Columbia	98.3	CP	K252FE
ID	Pocatello	95.9	CP	K239BR	MO	Columbia	101.1	CP	K266BN
IL	Beardstown	96.9	CP	W245BZ	MO	Cuba	96.1	CP	K241BU
IL	Carbondale	93.7	CP	W229BN	MO	Edina	97.1	CP	K246BW
IL	Charleston	106.9	W296CA	W295BM	MO	Eldon	104.5	CP	K283BY
IL	Decatur	93.5	CP	W228CK	MO	Fulton	92.5	CP	K223CE
IL	Mattoon	102.5	CP	W273CF	MO	Fulton	103.3	CP	K277BZ
IL	Neoga	105.5	CP	W288CH	MO	Hannibal	103.3	CP	K277CF
IL	Olney	105.5	CP	W288CK	MO	Kirksville	95.9	CP	K240EF
IL	Oregon	105.3	CP	W287BY	MO	Marshall	98.7	CP	K254BU
IL	Peoria	98.1	CP	W251BQ	MO	St. Joseph	98.5	CP	K253BG
IL	Peru	103.9	CP	W280EG	MO	St. Robert	106.5	CP	K293BP
IN	Connersville	105.5	CP	W288CM	MO	Warrensburg	96.9	CP	K245BO
IN	Crawfordsville	97.5	CP	W248BR	MT	Billings	106.3	CP	K292GG
IN	Knightsville	104.1	CP	W281BG	MT	Hamilton	88.1	K204CX	K201IN
IN	Marion	101.3	CP	W267BN	MT	Kalispell	98.9	CP	K255CH
IN	Monticello	94.5	CP	W233BT	MT	Missoula	94.3	CP	K232CI
IN	Muncie	103.7	CP	W279CF	MT	Missoula	106.3	CP	K292GH
IN	New Harmony	102.5	CP	W273CG	NE	Auburn	104.9	CP	K285GH
IN	Princeton	102.7	CP	W274BS	NE	Lincoln	103.3	CP	K277CA
IN	Romney	92.5	CP	W223BW	NV	Gardnerville	98.5	CP	K253BH
IN	Vincennes	101.3	CP	W267BO	NH	Manchester	99.9	CP	W260CF
IA	Ames	97.9	CP	K250BC	NJ	Pleasantville	100.3	CP	W262CF
IA	Bettendorf	104.5	CP	K283BV	NM	Roswell	99.9	CP	K260BU
IA	Davenport	99.3	CP	K257FG	NM	Santa Fe	93.7	APP	KRMK-1
IA	Des Moines	95.5	CP	K238BM	NY	Albany	99.9	CP	W260CH
IA	Iowa City	98.5	CP	K253BE	NY	Binghamton	93.3	APP	WJOB-1
IA	Mount Pleasant	104.5	K274BT	K273CC	NY	Cooperstown	105.9	CP	W290CI
KS	Chanute	98.5	CP	K253BF	NY	Ithaca	94.9	CP	W235BR
KS	Colby	92.9	CP	K225BO	NY	Johnstown	102.9	W243CV	W275BS
KS	Fort Scott	94.3	CP	K232EJ	NY	Scotia	92.9	CP	W225BM
KS	Lawrence	104.7	CP	K284BS	NC	Bethania	96.3	CP	W242CC
KS	Madison	97.3	CP	K247BN	NC	Burlington	99.9	CP	W260CG
KS	McPherson	104.1	CP	K281BQ	NC	Fayetteville	94.3	CP	W232EK
KS	Neodesha	105.1	CP	K286BV	NC	Henderson	105.7	CP	W289BX
KS	Pittsburg	100.1	CP	K261DZ	NC	Highlands	106.5	W239AN	W293BX
KS	Salina	96.9	CP	K245BN	NC	Hope Mills	97.3	CP	W247BS
KS	Yates Center	92.3	CP	K222CB	NC	Raleigh	94.3	CP	W232CH
KY	Covington	95.3	CP	W237DW	NC	Rolesville	104.7	CP	W284CD
KY	Corbin	105.3	CP	W287CA	NC	Tryon	101.5	CP	W268BS

ND	Grand Forks	106.1	CP	K291BT	OR	Flynn	97.5	CP	K239BP
OH	Middleport	103.7	CP	W279CE	OR	Gold Beach	88.3	K201EQ	K202EH
OH	Middletown	106.3	W294BM	W292CO	OR	Newport	95.7	CP	K239BO
OH	Newark	106.3	W294AC	W292EA	PA	Clearfield	93.3	W260BQ	W257CX
OK	Ada	93.9	CP	K230BF	PA	Dickson City	97.5	CP	W248BP
OK	Chickasha				PA	Jonestown	104.7	CP	W284CF
	(From Tuttle)	106.1	K237FH	K291BR	PA	Meadville	96.1	CP	W241BR
OK	Duncan	103.1	CP	K276FR	PA	Moosic	105.5	CP	W288CL
OK	Lawton	106.5	CP	K293BO	PA	Smethport	104.9	CP	W285ES
OK	Oklahoma City	92.9	CP	K225BN	SC	Aiken	105.1	CP	W286CG
OK	Oklahoma City	104.5	CP	K283BW	SC	Beaufort	99.1	CP	W256CB
OK	Sand Springs	92.5	CP	K223CG	SC	Florence	96.3	CP	W242CB
OK	Tulsa	95.9	CP	K240ED	SC	Florence	107.5	CP	W298BI
OR	Crates	95.3	CP	K237FM	SC	Hilton Head	106.5	CP	W293BZ
OR	Enterprise, etc	89.3	K208DB	K207EY	SC	Lancaster	104.1	CP	W281BE
SD	Lead	105.5	CP	K288GL	VA	Fredericksburg	106.3	CP	W292EF
SD	Rapid City	99.9	CP	K260BT	VA	Front Royal	98.9	W201BA	W255CK
SD	Sioux Falls	106.5	CP	K293BQ	VA	Harrisonburg	92.7	CP	W224CH
SD	Pearfish	99.1	CP	K256BZ	VA	Richmond	104.1	CP	W281BF
TN	Berry Hill	97.5	CP	W248BQ	VA	Richmond	106.1	CP	W291CL
TN	Collierville	99.3	CP	W257CY	VA	Roanoke	94.1	CP	W231CJ
TN	Columbia	103.9	CP	W280EH	WA	Aberdeen	100.5	CP	K263BE
TN	Covington	92.1	W218CE	W221CR	WA	Bellingham	90.7	K212FG	K214EW
TN	Goodlettsville	105.5	CP	W288CI	WA	College Place	94.5	CP	K233CJ
TN	Kodak	100.7	W266AA	W264CJ	WA	Cook	100.7	CP	K264BN
TN	Morristown	97.9	CP	W250BR	WA	Longview	93.5	K250AE	K228FA
TN	Mount Pleasant	98.7	W256BR	W254BW	WA	Mabton	104.5	CP	K283BX
TN	Nashville	98.3	CP	W252CM	WA	Olympia	101.1	K277BQ	K266BM
TN	Smyrna	96.7	CP	W244CW	WA	Richland	106.1	CP	K291BS
TN	Spring Hill	106.3	CP	W292ED	WA	Walla Walla	102.3	K269FY	K272EZ
TX	Abilene	104.1	CP	K281BP	WA	Walla Walla	104.5	CP	K283BU
TX	Abilene	105.9	CP	K290BV	WA	Wapato	106.9	CP	K295BT
TX	Austin	105.3	K288FJ	K287FG	WA	Waterville	97.1	CP	K246BV
TX	Brownsville	95.7	CP	K239BM	WV	Parkersburg	94.7	CP	W234BW
TX	Dumas	106.9	CP	K295BU	WV	Parkersburg	104.9	W282AI	W285EQ
TX	Gardendale	91.9	K273AW	K220JK	WI	Abbotsford	101.1	CP	W266CC
TX	Littlefield	96.9	K246BT	K245BG	WI	Appleton	100.7	CP	W264CN
TX	Mineral Wells	97.5	CP	K248BY	WI	Appleton	106.1	CP	W291CM
TX	Odessa	104.3	CP	K282BF	WI	Ashland	103.7	CP	W279CD
TX	Waco	99.1	CP	K256BW	WI	Manitowoc	101.7	CP	W269CN
UT	Cedar City				WI	Oshkosh	105.3	CP	W287BZ
	(from Parowan)	96.9	K247AY	K245BF	WI	Sheboygan	101.5	CP	W268BR
UT	Cedar City	105.1	APP	KPLD-1	WI	Stevens Point	107.1	CP	W296CI
UT	Garden City	95.3	CP	K237FN	WI	Watertown	96.1	CP	W241BQ
UT	Ivins	100.7	CP	K264BM	WY	Alpine	93.9	CP	K230BG
UT	Milford	96.1	CP	K241BV	WY	Alpine	94.7	CP	K234CB
UT	Parowan	105.9	CP	K290BW	WY	Casper	96.3	CP	K242CI
VT	Waitsfield	99.7	CP	W259BQ	WY	Casper	99.5	CP	K258CD
VA	Blackstone	93.9	CP	W230BW	WY	Jackson	107.5	CP	K298BO
VA	Glen Allen	98.5	CP	W253BI	WY	Worland	94.1	CP	K231BW

— FORMAT AND SLOGAN CHANGES —

— Full Power and LP Facilities —

AL	Montgomery	90.7	WVAS	> Jazz: <i>Blues, News And Views</i>
AL	Uniontown	107.5	WVFG	Returns to the air with Urban AC
AK	Anvik	89.5	KMGS	Signs on with a Variety format // KSKO-870 McGrath
AK	Houston	94.7	KZND-FM	> Adult Alternative: <i>94.7 The End</i>
AK	Shagaluk	88.5	KNKO	Signs on with a Variety format // KSKO-870 McGrath
AZ	Claypool	97.3	KIKO-FM	Returns to the air with Comedy: <i>Funny 97.3</i> [Comedy 24/7]
CA	Bodega Bay	89.5	KWTF	Signs on with a Variety format
CA	San Lucas	90.3	KCTZ	Signs on with Spanish Religious
CA	Tracy	89.5	KYNJ	Signs on with a Variety format: <i>Stone Soup Community Radio</i>
CA	Vallejo	89.5	KZCT	Returns to the air with a Variety format: <i>Ozcat Radio</i>
CA	Weed	102.3	KSIZ	Adds slogan: <i>Classic Rock Superstation</i> as they switch to the Dial Global - Classic Rock network
CO	Springfield	91.7	KLXD	Returns to the air with Classic Country: <i>Cat Country FM</i>
FL	Fort Lauderdale	103.5	WSHE-FM	Changes slogan to <i>Variety 103.5</i>
FL	Key Colony Beach	88.7	WYBW	Returns to the air with Religious Teaching [Bible Broadcasting Network]
FL	Lynn Haven	104.3	WBYW	Returns to the air with Black Gospel: <i>Power 104.3</i>
FL	Madison	91.7	WAPB	Returns to the air with Religious Teaching/Contemporary Christian: <i>Word And Praise Network</i>
FL	Mayo	89.5	WGSG	Adds slogan <i>Witnessing Gods Saving Grace</i>
FL	Miami Beach	94.9	WMGE	Changes slogan to <i>El Sonida Joven</i>
FL	Ocala	104.7	WITG-LP	> Classic Hits
FL	Orlando	96.5	WDBO-FM	New slogan is <i>News 96.5</i>
FL	Pierson	91.7	WDOZ	Signs on with Contemporary Christian: <i>Z-88</i>
FL	Port Orange	93.1	WKRO-FM	Changes slogan to <i>93.1 Coast Country</i>
GA	Brunswick	100.7	WMUV	Changes their slogan to <i>100.7, The Bull</i>
GA	Brunswick	104.1	WRJY	Changes slogan to <i>104.1 The Wave</i>
GA	Canton	105.7	WRDA	> Modern Rock: <i>Radio 105.7</i>
GA	Chauncey	101.3	WQIL	> Contemporary Christian: <i>101.3, Faith FM</i> [Salem - Today's Christian Music]
GA	Dexter	103.1	WDBG	> Oldies: <i>Big 103.1</i> [Cumulus - True Oldies]
GA	Mount Vernon	101.7	WYUM	> Classic Country: <i>Sweet Onion Country</i> [Cumulus - Real Country]
GA	Peachtree City	96.7	WRDG	> Modern Rock: <i>Radio 105.7</i> // WRDA 105.7 Canton



GA Pinehurst	98.3	WCEH-FM	> Oldies // WCEH-610 Hawkinsville
GA Rochelle	93.1	WWKM	> Americana
ID Ketchum	89.3	KDPI	Signs on with a Variety format: <i>Drop In Radio KDPI 89.3</i>
IL Arcola	107.9	WKIO	> 60s-80s Classic Hits: <i>Classic Hits 107.9</i>
IL Effingham	97.9	WXEF	Changes slogan to <i>97.9 XFM</i>
IL Harrisburg	88.1	WIHM-FM	Signs on with Religious Teaching [EWN]
IL Monee	88.9	WGEN-FM	> Contemporary Christian: <i>My Gen Radio</i>
IL Princeton	88.3	WUNT	Returns to the air with Religious Teaching: <i>Community Christian Radio</i>
IN Columbia City	106.3	WHPP	> Classic Hits: <i>Rewind 106.3</i>
IN Seelyville	88.9	WVWG	Adds slogan <i>Truth Heard In Black & White - Without Compromise</i> [Calvary Radio Network]
IA Storm Lake	88.1	KOIA	Signs on with Religious Teaching [Eternal Word Network]
KS Ingalls	105.9	KSSA	Changes slogan to <i>Ke Buena 105.9</i>
KS Scott City	94.5	KSKL	Changes slogan to <i>Mix 94</i>
KY Stanton	104.9	WSKV-FM	Adds slogan <i>Moore Country 104.9</i>
LA Lafayette	87.7	KXKW-FM	> Country: <i>Cat Country // KFXZ-FM 105.9 Opelousas</i>
MD Rising Sun	89.1	WRSM	Signs on with Religious Teaching: <i>Hope FM</i>
MA Athol	99.9	WXRG	> Modern Rock: <i>99.9 FNX</i>
MA Great Barrington	89.5	WNNU	Signs on with News/Talk: <i>New England Public Radio</i> [National Public Radio]
MA Mashpee	101.1	WHYA	> CHR: <i>Y 101</i>
MI Benton Harbor	96.5	WBHC-LP	Returns to the air with a Variety format
MI Cheboygan	105.1	WGFM	Changes slogan to <i>Rock 105</i>
MI Crystal Falls	100.7	WOBE	> CHR: <i>100.7 Radio Now</i>
MI Gaylord	106.7	WSRT	> Sports: <i>ESPN Radio Northern Michigan</i> [ESPN Radio Network]
MI Glen Arbor	95.5	WQEZ	> Soft AC: <i>Easy 95.5</i> [is no longer // WGFM 105.1 Cheboygan]
MI Honor	105.5	WSRJ	> Sports: <i>ESPN Radio Northern Michigan</i> [ESPN Radio Network]
MN Cambridge	105.3	WRXP	> Sports: <i>The Ticket 105.1</i> [CBS Sports Network] // WGVZ 105.7 and WGVX 105.1
MN Eden Prairie	105.7	WGVZ	> Sports: <i>The Ticket 105.1</i> [CBS Sports Network] // WRXP 105.3 and WGVX 105.1
MN Grand Rapids	89.7	KGRP	Signs on with News/Talk: <i>Minnesota Public Radio</i>
MN Lakeville	105.1	WGVX	> Sports: <i>The Ticket 105.1</i> [CBS Sports Network] // WRXP 105.3 and WGVZ 105.7
MN Newport	88.1	WAJC	Signs on with a Religious format [Religious Information Network]
MS Sardis	102.1	KBUD	Changes network to Yahoo Sports Radio
MS Tunica	96.1	WIVG	> 90s Alternative: <i>96X</i> ; is no longer // WHBQ-FM 107.5 Germantown, TN
MO Neosho	91.7	KNEO	Changes slogan to <i>The Word</i>
MT Miles City	88.3	KQQM	Signs on with Religious Teaching: <i>Radio 74 Internationale</i>
NE Aurora	92.5	KIVE-LP	Returns to the air with Religious Teaching: <i>Radio 74 Internationale</i> [Radio 74 Internationale]
NE Columbus	90.5	KGKD	Signs on with Contemporary Christian/Religious Teaching: <i>Good News Radio</i>
NE Norfolk	90.9	KPNO	> Contemporary Christian/Religious Teaching: <i>Good News Radio</i>
NE Omaha	91.5	KIOS-FM	Changes slogan to <i>Omaha Public Radio</i>
NV Carson City	97.3	KOLC	> Modern AC: <i>Little City 97.3</i>
NH Derry	90.5	WYDI	Returns to the air with Religious Teaching: <i>Renew FM</i> [Renew FM]
NJ Long Branch	107.1	WWZY	> Adult Contemporary: <i>107.1 FM</i>
NJ Manahawkin	100.1	WJRZ-FM	> Classic Hits: <i>WJRZ 100.1 Jersey's Greatest Hits</i>
NJ North Wildwood	91.9	WSMJ	Signs on with Religious Teaching [Eternal Word Network]
NJ Pennsauken	107.9	WPHI-FM	> Rhythmic-CHR: <i>Hot 107.9 Philly</i>
NJ Tuckerton	99.7	WBHX	> Adult Contemporary: <i>107.1 FM Radio // WWZY 107.1 Long Branch</i>
NM Los Alamos	106.7	KDLW	> Rhythmic-CHR: <i>Power 106.7</i>
NY Dansville	93.9	WMRV	Changes slogan to <i>My 93.9</i>
NY Staten Island	88.9	WSIA	Returns to the air with Adult Alternative: <i>Staten Island's Only FM</i>
NC Bolivia	106.3	WLTT	> News: <i>Port City Radio</i>
NC Knightdale	106.1	WRDU	Changes slogan to <i>106.1 FM WTKK</i>
NC Murphy	88.5	WMQS	Signs on with News: <i>NPR Classical Music & More</i>
NC Ocean Isle Beach	93.5	WLQB	> Adult Contemporary: <i>B 93.5</i>
NC Topsail Beach	93.7	WNTB	> News: <i>Port City Radio</i>
NC Wake Forest	100.7	WTKK	Changes slogan to <i>Classic Rock WRDU FM 100.7</i>
ND Mandan	104.7	KNDR	> Contemporary Christian: <i>Today's Christian Music</i>
ND Moffit	90.9	KTWJ	Signs on with Religious Teaching: <i>Radio 74 Internationale</i> [Radio 74 International]
OH Circleville	107.1	WNKK	Changes slogan to <i>107.1 The Hawk</i>
OH Lancaster	95.5	WHOK-FM	> Sports: <i>95-5 The Game</i> [CBS Sports]
OK Haileyville	105.9	KQIK-FM	Signs on with Country: <i>K-Fox 102.5 // KTNT 102.5 Eufaula</i> [Dial Global - Country Today]
OK Kiowa	98.7	KYOA	Signs on with Country: <i>K-Fox 102.5 // KTNT 102.5 Eufaula</i> [Dial Global - Country Today]
OK Stuart	93.5	KSTQ	Signs on with Country: <i>K-Fox 102.5 // KTNT 102.5 Eufaula</i> [Dial Global - Country Today]
OK Vinita	96.1	KITO-FM	> Sports: <i>The Sports Animal</i> [Yahoo Sports Radio]
PA Allentown	91.7	WMUH	Adds slogan <i>Only Station That Matters</i>
PA Media	100.3	WRNB	> R&B Oldies: <i>Old School 100.3</i>
PA Schnecksville	90.3	WXLV	> Contemporary Christian: <i>The Word FM</i>
SC Clemson	104.9	WCCP-FM	Adds network Dial Global - NBC Sports Network: <i>104.9 FM Talk Sports</i>
SD Frankfort	89.5	KTUT	Returns to the air with Southern Gospel: <i>Old Paths Radio Network</i> [Old Paths Radio Network]
TN Lynchburg	91.9	WGBQ	Returns to the air with Religious Teaching: <i>American Family Radio</i> [American Family Association]
TX Centerville	105.9	KUZN	Returns to the air with Spanish Contemporary: <i>Radio Aleluya</i>
TX Corpus Christi	91.7	KBNJ	Changes slogan to <i>Life Changing 91.7 FM</i>
TX Meridian	95.3	KOME-FM	Returns to the air with Country: <i>92.1 Hank FM, Everything Country</i>
TX New Boston	105.1	KTTY	Returns to the air with Classic Hits: <i>Hits 105</i>
TX Odem	98.3	KMJR	Changes slogan to <i>La Caliente 98.3</i>



TX Portland	105.5	KLHB	> Spanish Hits: <i>Exitos 105.5</i>
TX Refugio	103.7	KOUL	> Christian CHR/Rock: <i>Air One</i> [Air One]
TX Uvalde	104.9	KVOU-FM	Changes slogan to <i>Coyote Country 104.9</i>
UT Coalville	97.5	KZNS-FM	Changes network provider to Dial Global - NBC Sports Network
VA Goochland	100.5	WZEZ	> Religious Teaching: <i>The Truth</i> [Truth Network]
VA Hampton	101.3	WWDE-FM	Changes slogan to <i>The New 101.3</i>
VA Winchester	91.3	WTRM	> Religious Teaching: <i>American Family Radio</i> [American Family Association]
WA Ephrata	92.3	KZUS	Changes slogan to <i>US 92.3</i>
WI Kewaunee	92.7	WAUN	> Regional Mexican: <i>La Mas Grande 92.7</i>
WI LaCrosse	106.3	WQCC	Changes slogan to <i>Kicks 106.3</i>
WI Rhinelander	89.9	WHSF	Signs on with Wisconsin Public Radio's <i>Ideas Network</i>
WI Sturgeon Bay	97.7	WSRG	Changes their slogan to <i>Door Country FM 97.7</i>
WY Greybull	88.5	KNPJ	Signs on with Religious Teaching: <i>Your Network Of Praise</i>
— Translators —			
GA Marietta	92.3	W222AF	> Sports [ESPN Des Portes]; no longer // WGST-640 Atlanta
MN Marshall			
(CP from Balaton)	90.3	K212FH	> Religious Teaching // WZNN 97.3 Gardendale, AL
NY Endwell	96.9	W221AX	Is now on the air // WINR-680 Binghamton with Oldies: <i>Oldies 96.9</i>
SC Charleston	99.3	W257BQ	> Urban: <i>99-3, The Box</i> // WSPQ-1390 Charleston
TX Texarkana	105.5	K288FI	> Classic Hits: <i>Hits 105</i> // KTTY 105.1 New Boston
VA Fredericksburg	96.5	W243BS	> "an eclectic blend of music geared to in-office listening during the day, and highlighting a different type of music each evening. Programming will include the blues on Mondays, honky-tonk on Tuesdays and jazz on Saturdays." Station is no longer // WNTX-1350 Fredericksburg.
VA Richmond	106.9	W295BF	Remains Classic Rock with new slogan: <i>96.1, The Planet</i>
— FM and AM SIMULCASTS —			
MN Russell	103.3	W277AI	KMHL-1400 Marshall with Talk/Sports: <i>Fourteen Hundred AM KMHL</i>
TX Texarkana	105.5	K288FI	KTFS-940 Texarkana with Classic Hits: <i>Hits 105</i>
VA Danville	102.5	W275BR	WBTM-1330 Danville
— OTHERNEWS —			
AL Bessemer	88.1	WSJL	City-of-License change from Northport
AK Eagle River	95.1	-----	Application for a new translator dismissed
AK Juneau	88.9	KNGW	Is silent
AZ Prescott	107.9	-----	Application for a new translator dismissed as the applicant proposed to relay an AM station outside their coverage area
AR Jonesboro	89.7	KJSA	Is silent
CA Blythe	93.3	-----	Application for a new translator dismissed
CA Lancaster	98.3	KFXM-LP	CP granted to move here from 96.7
CA Templeton	98.9	-----	Application for a new translator dismissed
CO Burlington	88.7	KTMJ	Is silent
CO Rifle	90.9	KRJX	Is silent
CO Limon	93.7	KIIQ	Is silent
DE Millsboro	106.5	WRBG-LP	Changes frequency from 107.9
FL Fort Lauderdale	100.7	WHYI-FM	Changes city of license from Ft. Lauderdale
FL Lehigh Acres	96.5	W243AR	License cancelled; call deleted per licensee's request
FL North Miami	90.1	Pirate	Fined an individual \$25,000 for operating an unlicensed transmitter
FL Port Orange	93.1	WKRO-FM	City-of-License change from Edgewater
GA Clermont	105.1	WNGA	City-of-License change from Helen
GA Pembroke	99.1	WBAW-FM	Is silent
IL Peoria	101.9	WCUA-LP	Is silent
IA Iowa City	87.9	Pirate	Fined an individual \$1200 for operating an unlicensed transmitter
KY Grayson	99.7	WUGO	Changes frequency from 102.3
KY Westwood	102.3	WWQB	Changes frequency from 99.7
LA Baker	99.5	-----	Application for a new station dismissed
LA Cameron	91.7	KYED	Is silent
MI Cadillac	94.9	-----	Application for a new translator dismissed as the applicant proposed to relay an AM station outside their coverage area
MI Cadillac	105.9	-----	Application for a new translator dismissed as the applicant proposed to relay an AM station outside their coverage area
MI Mio	93.9	WAVC	Is silent
NH Dover	103.5	WXGR-LP	CP granted to move here from 101.5
NJ Rio Grande	93.9	-----	Application for a new translator dismissed
NJ Rio Grande	99.7	-----	Application for a new translator dismissed
NJ Stafford Township	102.3	W273BW	City-of-License change from Warren Grove [station is yet to sign on]
ND Bismarck	96.5	KBYZ	Is operating with 1 kW ERP (normal 100 kW) after their shared antenna (with KUSB, see below) failed due to during a recent wind storm. They're now using a temporary one-bay antenna with plans for repairs to be made within sixty days.
ND Hazleton	103.3	KUSB	Is operating with 5kW (normal 100 kW). See KBYZ above.
NC Cherokee	106.3	-----	Application for a new translator dismissed
OH Batavia	88.7	WOBO	Fined \$3000 for airing commercial announcements; WOBO is licensed as a non-commercial educational station; the advertisements were for <i>Chesterfield</i> cigarettes as part of an old-time radio program.
OK Colcord	98.7	-----	Application for a new translator dismissed
OK El Reno	97.7	-----	Application for a new station dismissed
OR Enterprise	89.3	K208DB	CP granted to move from 89.5
SC Socastee	99.5	WRNN-FM	Is no longer // WRNN-1450 Myrtle Beach
SD Frankfort	89.5	KTUT	Recently re-activated, KTUT is once again . . . Silent
TX Gilmer	93.9	-----	Application for a new translator dismissed
TX Lamesa	88.9	KRJA	Is silent



TX Mineral Wells	99.9	KNOB-LP	License cancelled; call deleted
TX Palacios	99.7	KROY	Is silent
TX Seymour	92.3	-----	Application for a new station dismissed
UT Cedar City	94.1	-----	Application for a new translator dismissed
UT Cedar City	105.1	-----	Application for a new translator dismissed
UT Ivins	104.3	-----	Application for a new translator dismissed
UT Kanarrville	99.5	-----	Application for a new translator dismissed
UT Parowan	93.3	-----	Application for a new translator dismissed
UT St. George	92.1	-----	Application for a new translator dismissed
WA Benton City	90.5	-----	Application for a new station dismissed
WA Longview	93.5	K250AE	CP granted for move from 97.9
WA Pullman	93.3	K210AE	CP granted for move from 89.9
WI Fond du Lac	100.7	-----	Application for a new translator dismissed
WI Fond du Lac	105.3	-----	Application for a new translator dismissed
WY North Rock Springs	101.9	KXJW	Changes frequency from 101.1
WY Thermopolis	96.9	-----	Application for a new translator dismissed

+++++

NEWS ITEM: FCC Tells Radio Dalhart to Pay Up

[3/25/13] The FCC has stepped in to settle a six-year-old dispute between two Texas Panhandle licensees, Perryton Radio and Radio Dalhart. Perryton owns KEYE(FM) in Perryton and Radio Dalhart owns KBEX(FM) in Dalhart.

Six years ago Radio Dalhart asked the FCC to modify its license for KBEX to specify a different channel. As part of that, KEYE had to involuntarily change channels too. Radio Dalhart pledged to reimburse Perryton for "reasonable" costs associated with the KEYE channel change.

But Radio Dalhart balked when it received a bill for \$73,553.73, calling some of the engineering costs excessive, according to the commission. Thirty thousand dollars went to pay legal fees associated with the move, some \$13,000 went towards a new antenna. Much of the rest was for removing the old equipment and installing new equipment and making sure the new antenna was properly tuned.

Radio Dalhart said the costs should have been somewhere in the range of \$19,000 to \$20,000 and that Perryton incurred more costs because it changed what channel it eventually moved to. Perryton asked the commission to step in. The agency said it did so because the two licensees had not been able to resolve their dispute.

The commission said the charges were not excessive, that it was reasonable for Perryville to replace a nine-year-old antenna with a new one and the use of a standby antenna while the channel change was being implemented was also reasonable. The FCC said Perryton accommodated Radio Dalhart by changing channels and ordered Radio Dalhart to pay the entire \$73,553.73 to Perryton within 30 days.

NEWS ITEM: 2 tribes move closer to securing FM radio stations [(Farmington, New Mexico) Daily Times]

Flagstaff, Arizona — Two Southwest tribes are moving closer to securing radio stations that others in Indian Country have turned to for emergency alerts, health tips, the latest rodeo news, traditional stories and language lessons. American Indian tribes hold less than one percent of the roughly 15,200 radio station licenses issued by the Federal Communications Commission, a figure the commission has been trying to boost through a rule it approved in 2010 to give federally recognized tribes priority in the application process, and help preserve language and culture.

Earlier this month, the FCC set aside the first two FM allotments under its Tribal Radio Priority for the Hualapai Tribe in northwestern Arizona and Navajo Technical College in northwestern New Mexico. The tribe and the college owned by the Navajo Nation are now waiting for the FCC to open a filing window so they can secure construction permits and build their stations.

Applicants who want to be considered under the tribal priority must be a federally recognized tribe or an entity, like the college, that is majority-owned by a tribe and propose to cover at least 50 percent tribal land. Successful applications are processed without going through an auction.

The Hualapai Tribe already has been using the Internet to broadcast morning blessings, results of tribal elections, a radio drama aimed at improving health, traditional Hualapai music and community service announcements. The FM radio station would allow anyone within a 30-mile radius of the station to tune in, particularly those who can't access the Internet. "Once we get our FM frequency on, it's really going to build a lot of interest," said tribal member Candida Hunter.

The spread of information on the reservation otherwise comes through fliers posted at government offices, a tribal newsletter or word of mouth. Terri Hutchens, project coordinator, said tribal members could have benefited last year from an announcement over the radio about water contamination, which led to a temporary school closure. She said some people received fliers but others didn't find out until days later when the problem was fixed.

For now, community members are encouraging each other to listen to the Internet broadcast and volunteers are pitching in to provide content in the Hualapai language.

NEWS ITEM: 'Dot-Radio' Launches in May

BRS Media, the e-commerce company that oversees dot-FM and will oversee dot-radio has announced that May will be the launch for dot-radio.

Domain extensions, dot-radio-dot-AM and dot-radio-dot-FM, will be available for "bootstrap start-ups, small office/home offices (SOHO) entrepreneurs, social media ventures, streaming enterprises and traditional broadcasters worldwide, while at the same time encouraging originality in expanding the RADIO global domain space."

A company by the name of TM.Biz will oversee and validate trademarks used on the domain.

NEWS ITEM:

The FCC reports that as of March 31, there are 10,520 licensed FM stations under their control.

+++++

Thanks to Shawn Axelrod, Tim Noonan, Dan Sys, Radio Insight, Radio World Online and Upper Midwest Broadcasting for news.

If you hear any changes occur on your FM dial, share the news! 73

+++++



FM FACILITIES

MAY 2013

AF	Applied For (a new station)	PC	Power (and/or tower height) change on the air
Aux	Auxiliary (backup) transmitter	PG	Power change granted
CC	Callsign change	PR	Power change requested
CL	City-of-license change	RA	Returns to the air
DE	License/permit deleted	RE	Reinstated (previously-dismissed app.)
FC	Programming (format) change	ROA	Request of Applicant
FTP	Failure to Prosecute	SI	Off the air (silent)
LC	License to Cover	STA	Special Temporary Authority
NS	Permit granted for new station	XC	Transmitter site changed
NW	New station on the air	XG	Transmitter site change granted
PA	Proposed Amendment	XR	Transmitter site change requested

Changes:

City & State	Freq	Callsign	Change
AK Anvik	89.5	KMGS	NW 27w/57m, 62-38-58/160-11-34 (Kuskowim Public Broadcasting Corp.)
AK Holy Cross	91.5	KLOP	NW 50w/15m, 62-12-05/159-45-59 (Kuskowim Public Broadcasting Corp.)
AK Shageluk	88.5	KNKO	NW 50w/-9m, 62-39-20/159-31-49 (Kuskowim Public Broadcasting Corp.)
AK Sterling	104.9	KYKA	CC from KMVV
AL Bessemer	88.1	WSJL	PC<6kw/98m, 33-23-45/87-01-07
AR Bella Vista	106.5	KBVA	AF 8.032kw/154m (aux)
AR Bella Vista	106.5	KBVA	NS 8.032kw/154m (aux)
AR Forrest City	91.5	KSIP	NW 5.5kw/104m, 35-10-47/90-49-15 (Speak Onit Radio)
AR Goshen	99.5	KAKS	PR<3.1kw/140m, 36-12-20/94-06-06; CL from Huntsville
AR Green Forest	88.7	KGSF	PR<4.95kw
AR Jonesboro	89.7	KJSA	PG<10.5kw/12m, 35-55-29/90-51-16
AR Yorktown	88.5	KOYR	CC for NS
AZ Apache Junction	107.1	KVVA-FM	PC 17kw/124m, 33-26-44/111-37-19
AZ Claypool	105.1	KIKO-FM	QR from 97.3, 987m
AZ Ehrenberg	93.5	NEW	PA from 105.1, class C2, to allow KRSX-FM to move from 105.3 to 105.1
AZ Sierra Vista	88.9	KUAS-FM	CC for NS
AZ Sierra Vista	88.9	NEW	NS 1.75kw/663m, 31-29-08/109-57-21 (KUAT)
BC Surrey	x	NEW	AF (South Frasier Broadcasting), tech parameters not given. Competing applications solicited.
CA Bakersfield	101.5	KGFM	AF 118w/119m, 35-28-21/119-01-40 (aux)
CA Bakersfield	94.1	KISV	AF 118w/119m, 35-28-21/119-01-40 (aux)
CA Big Pine	91.3	KDOX	PG>660w
CA Big Pine	91.3	KDOX	PR>165w
CA Cambria	105.3	KCJZ	NW 300w/-57m, 35-34-00/121-05-22 (Jesse R. Feathers)
CA Cambria	105.3	KCJZ	PG<300w/-57m, 35-34-00/121-05-22
CA Cambria	105.3	KCJZ	PR<300w/-57m, 35-34-00/121-05-22
CA Carmel Valley	91.3	KZBV	NW 100w/14m, 36-25-52/121-40-32 (One Ministries)
CA Carmel Valley	91.3	KZBV	PG>14m, 36-25-52/121-40-32
CA Carmel Valley	91.3	KZBV	PR>14m, 36-25-52/121-40-32
CA Gonzales	95.1	KMLY	QR from 105.9, 6kw/100m, 36-27-34/121-17-55; CL from Carmel Valley
CA Huron	89.1	KHRN	NW 9kw/45m, 36-12-32/120-18-28 (NC Friends Broadcasting)
CA Los Angeles	104.3	KBIG	CC from KBIG-FM
CA San Diego	89.5	KPBS-FM	NS 2.8kw/549m, 32-41-53/116-56-03 (aux)
CA San Lucas	90.3	KCTZ	NW 2.3kw/-72m, 36-08-09/121-01-36 (Iglesia de Jesucristo en King City)
CA San Simeon	90.9	NEW	NW 320w/150m, 35-31-28/121-03-39 (Centro Cristiano Vida Abundante)
CA Santa Cruz	88.1	KZSC	PC>140m
CA Tipton	104.9	KCRZ	PC 3.1kw/141m, 36-14-32/118-52-23
CA Tracy	89.5	KYNJ	NW 100w/-49m, 37-40-28/121-29-04 (Peace & Justice Network of San Joaquin Co.)
CA Tracy	89.5	KYNJ	PR<100w/-78m, 37-42-34/121-28-38
CA Tracy	89.5	KYNJ	PR<100w/-78m, 37-42-34/121-28-38
CO Limon	89.1	KYCO	CX, license expired
CO Woodland Park	89.5	KILE-FM	XG 38-59-49/105-02-46
CT Pawcatuck	106.5	WBMW	NS 1.7kw/134m (aux)
CT Pawcatuck	106.5	WBMW	NW 1.7kw/134m (aux)
FL Bronson	91.1	WZXJ	PG>3kw/59m
FL Clearwater	95.7	WBTP	NW 40kw/156m, 27-55-54/82-24-05 (aux)
FL Clermont	88.7	WMYZ	PR>31kw/113m
FL Islamorada	93.5	WZFL	CC for NS
FL Juno Beach	95.5	WLDI	AF 15kw/264m, 27-01-31/80-10-43 (aux)
FL Juno Beach	95.5	WLDI	NS 15kw/264m, 27-01-31/80-10-43 (aux)
FL Key Colony Beach	88.7	WYBW	PC>250w/28m
FL Lake City	94.3	WNFB	NW 6.8kw/86m (aux)
FL New Port Richey	91.5	WCIE	PR>100kw/338m, 28-10-56/82-46-06
FL Sebring	91.7	WJFH	QR from 91.5, 2kw/137m
GA Aragon	107.1	WTSH-FM	PG>287m, 34-09-34/85-02-13 CX ROA; remains 158m at different site
GA Aragon	107.1	WTSH-FM	PR>287m, 34-09-34/85-02-13
GA Atlanta	91.9	WCLK	PC 480w/302m, 33-48-26/84-20-22
GA Clermont	105.1	WNGA	PC>7kw
GA Clermont	105.1	WNGA	PG 3.1kw/282m, 34-33-58/83-46-40

GA Clermont	105.1	WNGA	PR 3.2kw/279m, 34-33-58/83-46-40
GA Clermont	105.1	WNGA	PR>3.1kw/282m, 34-33-58/83-46-40; amendment from 3.2kw/279m
GA Lincolnton	98.7	WLCZ	PR>25kw/76m, 33-35-04/82-32-43
GA Pembroke	99.3	WBAW-FM	QR from 99.1, 100kw/246m, 32-04-37/81-48-48
GA Pinehurst	98.3	WCEH-FM	CC from WSSY
GA Portal	100.5	WXRS-FM	PR>50kw/145m, 32-25-41/81-48-25; CL from Swainsboro
GA Rome	97.7	WGPB	PR>17.5kw/120m, 34-15-03/84-59-05 dismissed ROA
GA Valdosta	88.5	WVDA	CC from WVAI
GA Valdosta	90.9	WVVS-FM	PG 3.2kw/60m, 30-50-49/83-14-13
IL Arcola	107.9	WKIO	CC from WUIL
IL Dundee	103.9	WFXF	CC from WWYW
IL Harrisburg	88.1	NEW	PG 4.8kw/97m, 37-43-03/88-32-37
IL Harrisburg	88.1	WIHM-FM	CC for NS
IN Lowell	89.1	WLPR-FM	PC 1.1kw/112m
IN Muncie	91.3	WWHI	PR>380w/40m, 40-12-03/85-24-30
IN Richmond	96.1	WOLK	XC 39-53-29/84-56-10 (also reduces antenna height by 4 inches)
IN Rochester	92.1	WROI	PC>6kw/57m
KS Goodland	89.1	KXCT	CC from KLXG
KS McPherson	96.7	KBBE	XG 38-20-19/97-40-05
KY Smith Mills	94.5	NEW	NS 5.4kw/89m, 37-44-14/88-00-59 (Music Ministries)
KY Westwood	102.3	WWQB	QR from 99.7, 15kw/131m, 38-25-24/82-32-13
LA Ball	105.5	KBKK	AF 69w/13m, 31-19-23/92-26-06 (aux)
LA Baton Rouge	91.1	KLSU	PR>24kw dismissed 73.509 (prohibited overlap)
LA Bunkie	104.3	KEZP	AF 69w/13m, 31-19-23/92-26-06 (aux)
LA Columbia	103.1	KQLQ	AF 55w/30m, 32-31-16/92-06-33 (aux)
LA Monroe	101.9	KMVX	CC from KNOE-FM
LA Monroe	106.1	KXRR	AF 69w/30m, 32-31-16/92-06-33 (aux)
LA New Orleans	90.7	WWOZ	PC>100kw/134m
LA Oak Grove	104.1	KLCJ	PR>6kw/92m, 30-009-11/93-05-05
LA Rayville	92.3	KMYX	AF 69w/30m, 32-31-16/92-06-33 (aux)
LA Tioga	103.5	KLAA-FM	AF 69w/13m, 31-19-23/92-26-06 (aux)
LA West Monroe	98.3	KZRZ	AF 69w/30m, 32-31-16/92-06-33 (aux)
MA Boston	96.9	WBQT	CC from WTKK
MA Great Barrington	89.5	WNNU	PG<270w/196m
MA Harwich Port	93.5	WFRQ	PC>6kw/77m, 41-41-30/70-08-50
MB Winnipeg	107.1	CFEQ-FM	FC to classical
MD Baltimore	101.9	WLIF	PR 2.6kw/287m, 39-20-05/76-39-03 (aux) (undo permit for 2.1kw/347m at different site)
MD Catonsville	105.7	WJZ-FM	PR 430w/287m, 39-20-05/76-39-03 (aux) (undo permit for 3kw/121m at different site)
MD Rising Sun	89.1	WRSM	CC for NS
MD Rising Sun	89.1	WRSM	NW 1w-H/1kw-V/96m, 39-43-17/76-09-19 (Hope Christian Church of Marlton)
MD Towson	89.7	WTMD	PG 7.4kw/122m, 39-24-10/76-36-12
MI Cass City	92.1	WIDL	PC>25kw/77m, 43-36-55/83-04-43; CL from Caro
MI Cheboygan	97.7	WJZJ	CC from WQEZ
MI Glen Arbor	95.5	WQEZ	CC from WJZJ
MI Manistique	88.9	WCRR	PR>44.8kw; amendment from 50kw
MI Manistique	92.7	WRPP	CC from WPIQ
MI Rose Township	90.9	WMSD	PR>15kw (reinstate expired permit)
MI Rose Township	90.9	WMSD	PR>15kw (reinstate expired permit)
MN Bemidji	88.5	KCRB-FM	AF 32.8kw/231m (aux)
MN Bemidji	88.5	KCRB-FM	NS 32.8kw/231m (aux)
MN Bemidji	91.3	KNBJ	AF 26.5kw/230m (aux)
MN Bemidji	91.3	KNBJ	NS 26.5kw/230m (aux)
MN Duluth	89.5	WJRF	PG>55kw/257m, 46-47-07/92-07-15
MN Grand Rapids	89.7	KGRP	NW 8.9kw/157m, 47-16-39/93-26-58 (Minn. Public Radio)
MN Little Falls	92.1	WYRO-FM	PC>6kw
MN Minneapolis	91.1	KNOW-FM	AF 27kw/389m & 24kw/302m, both (aux)
MN New Prague	95.5	KCHK-FM	CC from KRDS-FM
MN St. Peter	90.5	KNGA	AF 4.6kw/143m (aux)
MO Hayti	98.7	WGCO	PR<1.7kw/87m, 36-12-50/89-41-25
MO Kansas City	88.5	KJNW	CC from KLJC
MO Perryville	93.1	KBDZ	PC>36kw/175m, 37-52-58/90-10-20
MO Salem	91.7	KCVX	PC<30kw
MS DeKalb	90.3	WWQD	CC for NS
MS DeKalb	90.3	WWQD	NW 4kw/81m, 32-38-37/88-40-29 (Catholic Radio Network)
MS DeKalb	90.3	WWQD	PG>4kw/81m
MT Roundup	100.1	KTRO	CC for NS
MT Roundup	100.1	KTRO	NW 100w/17m, 46-27-58/108-33-20 (Montana Radio Co.)
MT Roundup	100.1	KTRO	PG<100w/17m, 46-27-58/108-33-20
NC Harrisburg	92.7	WPZS	PR>10.5kw/154m
NC Murphy	88.5	WMQS	NW 49w/196m, 35-07-37/84-01-35 (Western NC Public Radio)
NC Robbins	88.1	WYTR	NW 4.7kw/53m, 35-33-35/79-41-03 (Athens Christian Radio)
NE Columbus	90.5	KGKD	NW 10kw/170m, 41-32-28/97-40-45 (The Praise Network)
NE Columbus	91.3	KTLX	QC from 91.9, 250w/10m
NE Superior	103.9	KRFS-FM	PC>12kw/100m
NJ Cape May	102.3	WAIV	PR>6kw/57m, 38-59-34/74-48-48
NJ Hazlet	103.9	WPDI	QR from 104.7
NJ Petersburg	98.3	WTKU-FM	NW 3.7kw/90m (aux)
NL St. John's	107.5	CKSJ-FM-1	AF 22.5kw/126m, 48-07-40/53-56-31; to relay 101.1
NM Los Alamos	106.7	KAGM	CC from KDLW
NM Los Lunas	106.3	KDLW	CC from KAGM
NM Truth or Consequences	91.1	KLCF	CC from KRJY
NV Carson City	97.3	KOLC	CC from KSGG
NV Las Vegas	91.5	KUNV	PG>12kw/588m, 35-56-45/115-02-35
NY Dansville	93.9	WMRV	CC from WDNV-FM
NY Endicott	105.7	WBNW-FM	CC from WMRV-FM
NY Hancock	104.5	WBZX	QR from 107.1, 6kw
NY Watertown	88.9	WSLJ	PC>280w/130m
OH Ashtabula	96.1	WOHA	CC for NS
OH Circleville	107.1	WHOK-FM	CC from WNKK

OH Dayton	88.1	WDPR	PR>780w
OH Lancaster	95.5	WZOH-FM	CC form WHOK-FM
OH Millersburg	90.5	WVML	PC>15kw
OH Portsmouth	88.3	WUKV	PG 1.65kw/154m
OK Antlers	102.3	KDOE	PG>85m, 34-13-28/95-37-30
OK Bennington	96.1	KZRC	XC 33-53-22/96-09-07
OK Coweta	88.1	KDIM	PG>100kw-H (was already 100kw-V)
OK Haileyville	105.9	KQIK-FM	NW 900w/52m, 34-50-44/95-34-45 (K95.5)
OK Haileyville	105.9	KQIK-FM	PG<900w/52m, 34-50-44/95-34-45
OK Haileyville	105.9	KQIK-FM	PR<900w/52m, 34-50-44/95-34-45; PG
OK Kiowa	98.7	KYOA	CC for NS
OK Kiowa	98.7	NEW	NW 900w/64m, 34-43-28/95-54-56 (K95.5)
OK Stuart	93.5	KSTQ	CC for NS
OK Stuart	93.5	NEW	NW 900w/84m, 34-54-57/96-08-10 (K95.5)
OK Wapanucka	107.5	KZIG	NW 2.3kw/118m, 34-25-08/96-11-24 (Keystone Broadcasting)
OK Wapanucka	107.5	ZIG	PG 2.3kw/118m, 34-25-08/96-11-24
ON Sioux Lookout	95.3	CBLS-FM	QG from 1240 AM, 500w/182m, 50-04-26/92-01-29
OR Bandon	96.5	KBDN	PG 1.05kw/469m, 42-57-32/124-16-23
OR Burns	92.7	KORC	PC>10kw/274m
OR Huntington	93.5	KHNO	CC for NS
OR Pine Grove	89.5	KPFR	PR<2.9kw/513m
OR Portland	91.1	KXRY	CC from KRRC
PA Newburg	90.1	WZXN	PC>1.24kw-H/6.3kw-V
PA Newburg	90.1	WZXN	PG>1.24kw-H/6.3kw-V
PA Schnecksville	90.3	WLHI	CC from WXLV
PA Scranton	99.5	WUSR	PC>410w/378m, 41-25-41/75-44-50
PA Spring Grove	90.7	WZXY	PG 160w/225m, 39-51-47/76-57-01
PA West Grove	91.7	WZWG	CC for NS
PR Ceiba	101.7	WNVE	QG from 102.1, 6kw/70m, 18-17-37/65-38-40
QC Murdocchville	97.7	CBGA-x	QG from 1270 AM, 98w/367m
SC Ravenel	107.3	WMGL	PG>50kw
SC Saluda	88.7	WKMH-FM	PG 130w-H/51kw-V/120m, 33-57-22/81-54-09
SC Sullivan's Island	107.3	WMCD	PR>50kw/125m, 32-45-26/80-10-06; CL from Claxton, Ga. dismissed
SD Frankfort	89.5	KTUT	PR>91kw/151m, 44-35-24/97-40-46 dismissed
SD Rapid City	91.3	KTEQ-FM	PG 500w/17m, 44-05-17/103-14-56
SD Reliance	94.5	KPLO-FM	PG 100kw/283m, 43-54-27/99-41-46
TN Elizabethton	99.3	WTZR	PG>4.4kw/244m
TN Henderson	95.7	WFKX	PC 6kw/100m, 35-38-37/88-46-24
TN Livingston	89.1	WOCG	PR>1.4kw/203m, 36-26-23/85-24-27
TX Beaumont	88.1	KLBT	PR>30kw
TX Blowout	88.9	KXMP	NW 125w/135m, 30-24-23/98-34-12 (Jonah Creek Media)
TX Carrizo Springs	93.5	KAJP	PC<100w/34m, 28-30-32/99-52-37
TX Cotulla	96.3	KCOT	PR>25kw/100m, 28-23-48/99-15-36
TX Del Rio	89.3	NEW	NS 30kw/69m, 29-23-09/100-41-22 (Texas Public Radio)
TX Eldorado	99.5	KQTC	CC for NS
TX Holiday Beach	89.9	NEW	PG<9kw/44m, 28-06-29/97-01-48
TX Hunt	99.9	KRZS	FC; sold to Educational Media Foundation
TX La Porte	103.7	KHJK	AF 100kw/308m (aux)
TX La Porte	103.7	KHJK	NS 100kw/308m (aux)
TX La Porte	103.7	KHJK	PG>99.1kw
TX La Porte	103.7	KHJK	PR>99.1kw
TX Laredo	88.1	KHOY	PC>4.3kw
TX Llano	106.5	KAJZ	QC from 96.3, 2.7kw/152m, 30-40-36/98-33-59
TX Lockney	98.9	KBYL	CC for NS
TX Lockney	98.9	KBYL	NW 900w/66m, 34-11-05/101-25-59 (Bryan A. King)
TX Mason	102.5	KHLB	FC: sold to Educational Media Foundation
TX McCoy	90.5	NEW	PG<10kw/38m, 28-44-36/98-17-49
TX Mullin	92.7	NEW	AF 18kw/119m, 31-27-32/98-34-17; amendment from 25kw/100m & to change site
TX Palacios	91.3	KPAL	CC for NS
TX Plains	90.3	KPHS	PG 430w/24m, 33-11-21/102-49-28
TX Ranger	98.5	KWBY-FM	CC from KLQM
TX Refugio	103.7	KOUL	FC; sold to Educational Media Foundation
TX Scotland	95.9	KXPN-FM	CC from KJKB
TX Sunset Valley	92.5	KVLR	PR 2.8kw/149m, 30-19-23/97-47-58
TX Valley View	89.1	KQFZ-FM	PG>40kw
TX Wheeler	90.3	KPDR	PG>100kw/140m, 35-28-19/100-30-19
TX Yoakum	94.3	KYKM	QR from 92.5, 6kw/98m
UT Kanab	105.1	KPLD	AF 1kw/521m (aux)
UT Richfield	93.7	KUTC	PR<48kw/711m, 39-51-15/111-42-17
UT St. George	95.9	KZHK	PR<70kw
VA Shawsville	102.5	WBZS	PR 150w/591m, 37-11-42/80-09-23
VA Windsor	105.3	WNOH	CC from WVMA
WA Chinook	94.3	KRKZ-FM	PR>400w/380m, 46-17-12/123-53-46
WA Napavine	92.9	KVNW	CC for NS
WA Port Townsend	91.9	KPTZ	PR>2.2kw
WA Yakima	88.5	KYVT	PG>430w/285m, 46-31-42/120-31-16
WI Antigo	106.1	WACD	AF 450w/30m, 45-06-23/89-09-11 (aux)
WI Antigo	106.1	WACD	NS 450w/30m, 45-06-23/89-09-11 (aux)
WI Sturgeon Bay	97.7	WQDC	CC from WSRG
WV Charleston	97.5	WQBE-FM	NW 1.35kw/65m, 38-21-26/81-40-05 (aux)
WV Petersburg	89.5	WAUA	XC 39-11-06/79-18-15
WY Casper	90.3	KCSP-FM	PG<40kw/593m
WY Greybull	88.5	KNPJ	NW 200w/151m, 44-24-48/107-59-49 (Hi-Line Radio Fellowship)
WY Greybull	88.5	KNPJ	PG<200w
WY Greybull	88.5	KNPJ	PR<200w; PG
WY Moose Wilson Rd.	97.7	KXJN	QR from 98.5, 80w
WY North Rock Sprg	101.9	KXJW	QC from 101.1

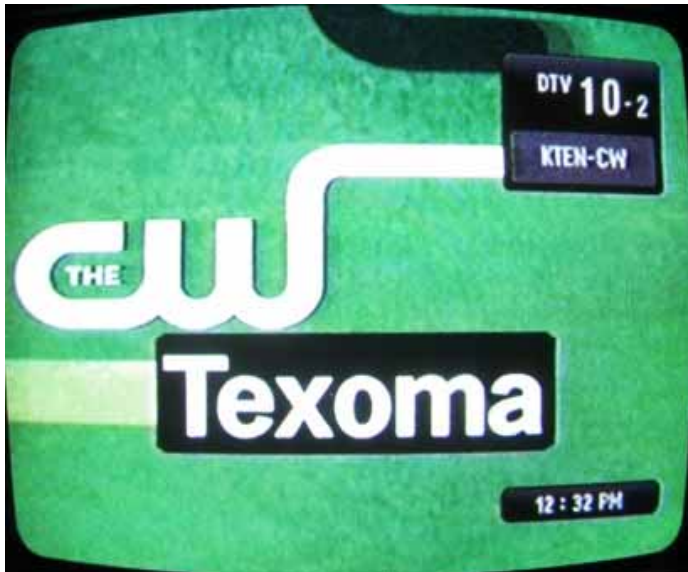
PHOTO NEWS



Jeff Kruszka
 1909 Lost Lake Place
 Pearland, TX 77581
 jkruszka@sbcglobal.net

May 2013

More great stuff from Danny Oglethorpe, Shreveport, LA:



KTEN-26 Ada, OK
 206 mi Tr seen 12-6-12



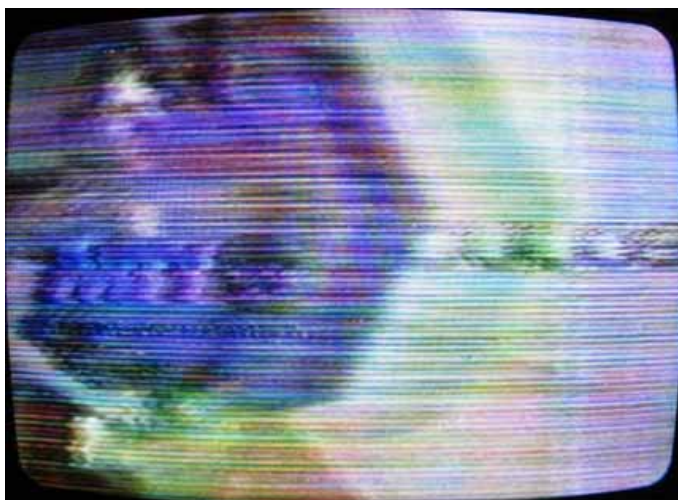
KLRU-22 Austin, TX
 279 mi Tr seen 12-6-12



KRIV-26 Houston, TX
 224 mi Tr seen 12-6-12



KAIT-8 Jonesboro, AR
 289 mi Tr seen 12-15-12



XEFB-2 Monterrey, NL 611 mi Es and
 XHCNL-2 Saltillo, COAH 651 mi Es
 mixing together; seen 7-4-12

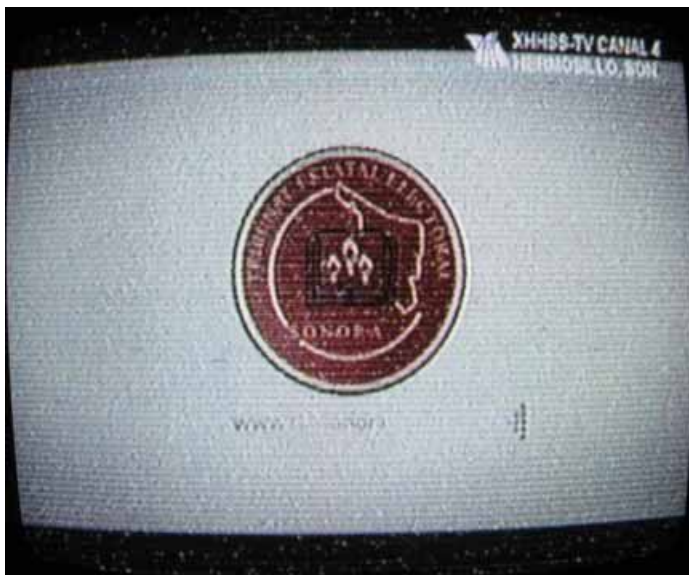
Two logs in one! "The newscaster to the left is on XEFB", says Danny, while "the floating signal is XHCNL with a big "MTY TV" logo."



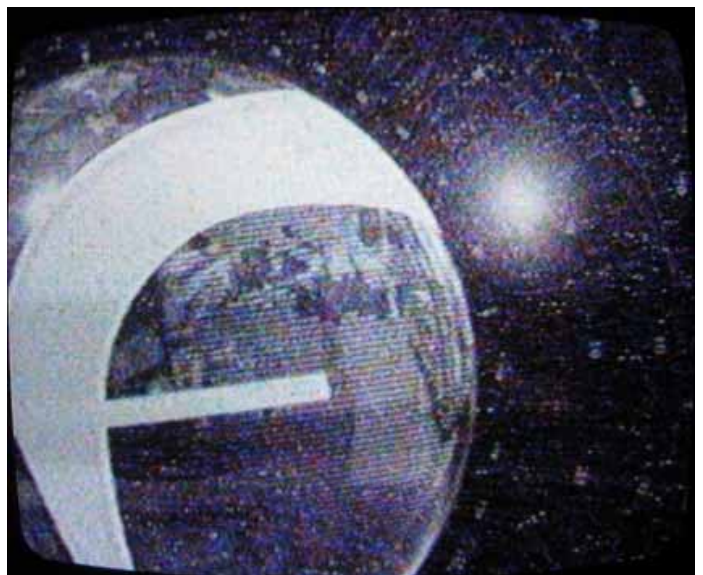
CHBX-2 Sault Ste. Marie, ON
1089 mi Es seen 6-12-12



CKYB-4 Brandon, MB
1234 mi Es seen 6-12-12
"CTVWINNIPEG.CA" lower left



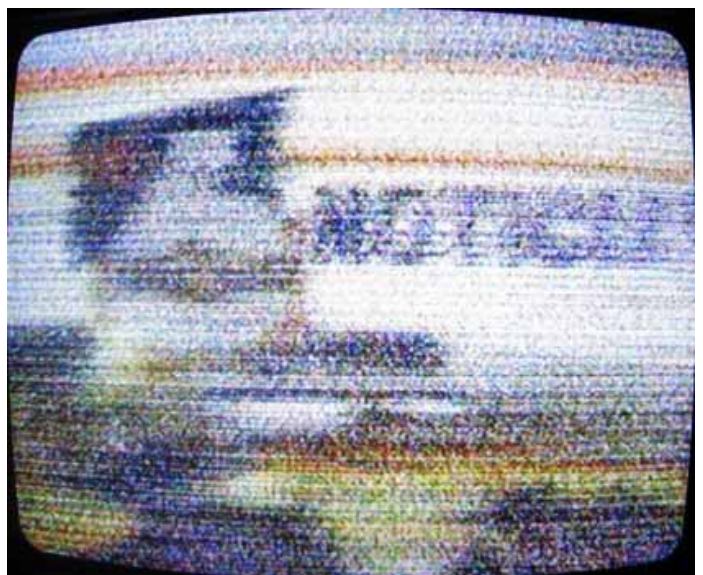
XHHSS-4 Hermosillo, SON
1045 mi Es seen 6-28-12
ridiculously clear ID, Danny! -jk



XHTV-4 Mexico City, DF
965 mi Es seen 7-22-12
"foro TV"



XHP-3 Puebla, PUE
961 mi Es seen 7-8-12



HRJG-6 San Pedro Sula, HND
1220 mi Es seen 1-15-13
"6 Noticias"

More from Danny next month.

73's, JEFF



Coast to Coast TV DX

Featuring reports from the entire United States and all of Canada.

Send reports by the 15th of each month to:

Nick Langan

1040 Riverview Drive

Florence, NJ 08518

E-mail: nickl@wtfda.org

The Editor's Note

The 2013 DX season is upon us! As we head into May, opportunities for DXing still haven't exactly been abundant, with persistent blasts of unseasonably cold air funneling down from Canada into the middle portion of the U.S. Record snowfall totals for the month of April have been set in many locales in the Upper Midwest and Rockies, not exactly the type of weather to break out the antennas in. Where warm air has been occasionally able to win out down south, they have enjoyed a couple of tropo openings, including on the 16th of April when Ed Phelps in Kentucky reported DTV tropo deep into Texas.

No widespread reports of 6-meter E-skip activity have occurred yet in North America, but it shouldn't be too long into May before we see Es clouds start to take form. In the meantime, we have reports from Danny Oglethorpe and Dennis Smith to share with you inside this edition of C2CTV DX.

Danny Oglethorpe

P.O. Box 8025
Shreveport, LA 71148-8025

E-mail: oglethorpedxer@gmail.com
TV DX Photographs: <http://www.TVDXExpo.com>
Mexico/Latin America TV DX ID
Tips: <http://www.TVDXTips.com>

Time used is Central Time.

Only the first logging of each station per report period is listed. No DTVs under 400 miles via tropo reported unless LP, new, or unusual.

Mexico relay text IDs are generally displayed about five seconds. The time listed for log entry is the time text ID was supered.

January 22, 2013 Es

1815 XELN-4 Torreon, COAH "La Tele de Aqui"
1845 XHQ-3 Guamuchil, SIN Logo
1859 XHBC-3 Mexicali, BCN "N" news
2010 XHI-2 Los Mochis or Cd Obregon Logo
2010 XHQ-2 Guamuchil, SIN XHQ-3 logo

January 26, 2013 Es

1823 XEFB-2 Monterrey, NL "Teleactiva"
1828 XHG-4 Guadalajara, JAL GDL time/temp bar upper right
1830 XHP-3 Puebla, PUE "TV3" logo
1830 XEWO-2 Guadalajara "tv masvision" logo
1830 XHP-4 Tehuacan, PUE XHP-3 logo
1840 XHAJ-5 Las Lajas, VER "Tele Ver"

January 27, 2013 Es

1835 XHLGT-2 Leon, GTO "cdc"

1917 XHMEN-4 Merida, YUC Big text ID upper right

2028 XHLEG-4 Leon, GTO Logo

January 29, 2013 Es

1530 XHGV-4 Las Lajas "TVMAS" logo

1620 XHFM-2 Veracruz "Tele Ver"

February 2, 2013 Es

1903 XEPM-2 Cd Juarez, CHIH "tucanal"

April 8, 2013 Tropo

0700 XERV-9 Reynosa, TAM 515 miles

April 15, 2013 Tropo

0955 KAKW-DT-13 Killeen, TX 275 miles NEW

Other days on which repeat IDs were received via Es:

January 23

February 16, 17

Dennis Park Smith

3605 San Remo Dr
Santa Barbara, CA 93105-2523
Telephone [\(805\) 687-7803](tel:8056877803)
24-hour PST; PDT Mar 10 +

This report is for March 2013. Weather has been cooling and warming, but storms are going around us with no rain here except for a sprinkle Mar 7 and some slow rain Mar 31. Much dryness. A fire-prone summer is in store. High temp 80F early

March, otherwise 60s-70s, lows 45-53. Ocean water temp 54F, Mar 15 up to 55, Mar 23 to 57, Mar 28 to 58. Tropo was still seasonably mediocre. So-Calif tropo to San Diego/Tijuana/Tecate up to 220 mi:

Feb25-Mar3	Var. poor +	Stable, quite warm
Mar 4 – 9	None	Cooling, a sprinkle
Mar 10 – 14	Var. poor-fair	Stable, warming
Mar 15 – 16	Very poor	Wind in region
Mar 17 – 18	None	Same
Mar 19	Poor	Calm
Mar 20 – 22	None	Unsettled, windy
Mar 23 – 26	Var. poor-fair	Calm but cooler
Mar 27 – 31	None	Unsettled, some rain

Mar 18 Unusual tropo over irregular terrain from Los Angeles (Mt Wilson). Only 90 mi east, but for a few minutes at about 2045, *on indoor 2-bay bowtie at my place, many UHF DTVs, such as KTLA d31, KCBS-TV d43, and more.*

Analog 17 KTCD-CA SDiego may be off, replaced by DTV 25 (175 mi SE). During any tropo, there is no longer any CCI under local analog 17 KSBB-LP SBarb.

Tropo continues to be seen here at my and Don Voegelé's places from Tijuana analogs (200 mi SE), but their last day on air is Apr 15, 2013. The Tijuana area includes Tecate (220 mi SE). I don't know if Ensenada TV is included in Tijuana's shut-off. Maybe not. Ensenada is about 50 mi/80 km SSE of Tijuana, with its separate set of Mexican network affiliates and high mountains in between. I have never seen any Ensenada TV in SBarb.

Best of DX to All Dennis

Germany May Give Up on Digital Terrestrial TV

Broadcast Engineering
Mar. 15, 2013 Philip Hunter

The withdrawal by commercial broadcaster RTL from digital terrestrial could be followed by more widespread rejection of DTT across the country.

RTL has pulled out of digital terrestrial broadcasting in Germany, for now at least.

The withdrawal by private German free-to-air commercial broadcaster RTL from digital terrestrial could be followed by more widespread rejection of DTT across the country.

This warning came from Ulrich Reimers, a leading broadcasting expert and author from the Technical University in Braunschweig. Reimers appeared to endorse RTL's view that a transition to DVB-T2, which in Germany would not take place until at least 2016, would not make sense in the country given that consumers would have to purchase new reception devices at a time when they would be obtaining HD quality programming over the Internet.

Addressing DVB World, the annual gathering of the DVB standards body, Reimers said it was unlikely that Germany would adopt DVB-T2, the second generation of its digital terrestrial standard, in its present form.

"Commercial broadcasters have said they won't distribute their signals in some areas, so people simply won't watch DTT," he said. "The consequences are clear, people will move away from terrestrial broadcasters, the numbers will move away sharply and the introduction of DVB-T2 in Germany won't happen. Forget it. The public broadcasters will have to ask themselves if it is worth it to reach 3 percent."

Reimers is not the first to pick up on this anti terrestrial sentiment in Germany. MABB, the local media authority of the German federal states Berlin and Brandenburg, first suggested in January 2013 that the Internet would become the most suitable TV distribution platform for Germany and endorsed RTL's decision to exit from DTT. MABB also argued that although public broadcaster ARD had earlier committed to DVB-T2 it was already streaming its full 24-hour channels via the Internet at sufficient quality for large TV screens, at least for the growing number of subscribers with adequately fast broadband connections.

Meanwhile, RTL has stated it will terminate its current DVB-T distribution in Germany on December 31, 2014, with the exception of its broadcasts in Munich, which will end earlier on May 31, 2013. This will end terrestrial distribution of RTL, Vox, Super RTL and RTL II and, for Berlin only, n-tv.

RTL did emphasize that this decision had nothing to do with the technical merits of DVB-T2 but the failure on the part of the German federal government to guarantee that the current terrestrial frequency spectrum will continue to be available for broadcasting after 2020. Long term planning is essential for terrestrial deployments given the lead times and costs involved. RTL pointed out that in neighboring Austria it is still highly committed to the country's DVB-T2 project, because there is a long-term plan and assurances over the future allocation of spectrum.

Another factor is that Austria is supporting encrypted distribution, welcomed by broadcasters such as RTL because they can then control access to their channels via specific set top boxes, although it also adds to the cost.

Northern FM DX



Keith McGinnis
 18 Newbridge St., Hingham, MA 02043
 longwave@comcast.net 781-875-1944

For Dxers in the following states: CT IA ID IL IN MA ME MI MN MT ND NE NH NJ NY OH OR
 PA RI SD VT WA WI WY and all of Canada. Please submit by the 10th of each month.

EDITOR'S NOTE PLEASE SUBMIT ALL REPORTS IN THE FORMAT SHOWN BELOW.

Time(tab)Calls(tab)Freq(tab)City(tab)State(tab)details

Formats can either be plain text, Word or Excel as long as format is adhered to. Any submissions in other formats may not be used at editor's discretion.

All Submissions must be in to me by the 10th of each month.

Dave Nieman, Bradford, PA FN01qx
 Sangean HDT-1, Channel Master 4408 @ 21ft. AGL
 New=* New Calls={XXXX} All Times= ET Distance in Miles

Dec 06 Tr

0938 WPAL* 91.7 Laporte PA Calls heard, Contemporary Christian 117

Dec 12 Ms

0757 WCLC* 105.1 Jamestown TN Calls heard+ New Life 105.1, Religious 516
 0849 KMJX* 105.1 Conway AR RDS PS: bogus KBKJ, Country 897
 2020 WOMX* 105.1 Orlando FL RDS PS: WOMX, Adult Hits 934

Dec 14 Ms

0916 WKUB* 105.1 Blackshear GA RDS PS: bogus WXB, Country 773

Dec 26 Ms

1446 KZIA* 102.9 Cedar Rapids IA RDS PS: KZIA, Top 40 669

Jan 01 2013 Ms & Es

1355 WMBW* 88.9 Chattanooga TN RDS PS: WMBW, Religious Talk 605
 2144 CJLS-2* 96.3 Barrington NS RDS PS: bogus KJLS, Adult Hits 671

Jan 02 Ms

0914 WBEZ* 91.5 Chicago IL RDS PS: WBEZ, News 461

Jan 03 Ms & Tr

1307 WNPT* 102.9 Marion AL RDS PS:+ Catfish Country 793
 1341 WOGY* 104.1 Jackson TN RDS PS: WOGY, Country 700
 2100 WYFT* 103.9 Luray VA ID, BBNetwork, Religious, local off 230

Jan 04 Ms

0912 WTXT* 98.1 Fayette AL RDS PS: bogus KDMZ, PTY: bogus Jazz, format Country 777

Jan 10 Tr

2100 WCGF* 89.9 Cambridge Spgs PA ID, FLNetwork, Contemporary Christian 81

Jan 14 Tr Scatter

2330 CBOX* 102.5 Ottawa (QC) Calls, FF, WTSS Buffalo off 282

Jan 23 Tr Scatter

1128 WFBY 102.3 Weston WV in with calls into Classic Rock 224

Jan 24 Tr Scatter

2101 WDMT 102.3 Pittston PA ID, Classic Rock 156
2120 WAVR 102.3 Waverly NY Choice 102, AC 109

Jan 25 Ms

1211 WKNO 91.1 Memphis TN RDS with calls & Public 764

Jan 30 Ms

0732 WALR 104.1 Greenville GA RDS PS: WALR, Soft R&B 681

Feb 02 Ms

0919 KJIR 91.7 Hannibal MO RDS PS: bogus WFDR, Religious Music 689

Feb 04 Ms

0926 KARN 102.9 Sheridan AR RDS PS: KARN, Talk 904
1554 {KZPT} 99.7 Kansas City MO RDS PS: KZPT, Top 40, ex KKSNN 865

Feb 05 Ms

2244 KQHN 97.3 Waskom TX RDS PS: KQHN, Top 40, prev Es 1055



Feb 08 Ms

0731 WSRV 97.1 Gainesville GA RDS with C.L. & Classic Rock 611
1021 WTCD* 96.9 Indianola MS RDS ID+ Super Talk Miss. 868

Feb 10 Tr

0701 WQHE* 88.3 Oil City PA ID, EWTN Religious, new to the air 62

Feb 12 Ms

0801 WAGH 101.3 Smiths AL RDS PS: WAGH, R&B 749

Feb 14 Ms

0831 WDOD* 96.5 Chattanooga TN RDS PS: WDOD, Top 40 596

Feb 22 Tr Scatter

2032 WLRD 96.9 Willard OH calls heard, Southern Gospel 219

Feb 24 Ms

1149 WLPG 91.7 Florence SC RDS with C.L. & Religious Music 548

Feb 26 Tr Scatter

0823 WAFD 100.3 Webster Springs WV calls + The Summit 263

Feb 28 Tr Scatter

2222 WXIL 95.1 Parkersburg WV 95XIL, Top 40 242

Mar 01 Ms & Ground Wave

1228 WWWQ* 99.7 Atlanta GA RDS Q100, PS: bogus WLD, Top 40 647
2100 W257CW*99.7Farmers Valley PA new local repeats 99.1 Big Bob Country 14

Mar 02 Ms

0543 WDCG* 105.1 Durham NC RDS PS: bogus KEWC, Top 40 435

Mar 03 Tr Scatter

1801 WHIZ 92.7 South Zanesville OH ID + Z92, Hot AC 239
2001 WCRZ 107.9 Flint MI Cars 108 + ID then back to Delilah, AC 262

Mar 04 Ms

1006 WTBI* 91.5 Greenville SC RDS PS: WTBI, Religious Talk 538
1234 KSHE 94.7 Crestwood MO RDS PS: bogus WDU, Rock 658

Mar 05 Ms

0802 KANU* 91.5 Lawrence KS RDS with C.L. & Classical 902

Mar 08 Ms

0712 WTXT 98.1 Fayette AL RDS PS: bogus KDMZ, Country 777

Mar 11 Ms

0941 WJXM 105.7 DeKalb MS RDS PS: WJXM, no PTY: displayed 846
1007 WEKL 105.7 Augusta GA RDS PS: bogus KCJV, no PTY: 615

Mar 14 Ms

0726 KFEB* 107.5 Campbell MO RDS PS: with calls & Top 40 713
0739 KOSN* 107.5 Ketchum OK KOSU calls, 107*5, NPR, News 971

Mar 15 Ms

0632 KOMT* 107.5 Mountain Home AR came in just as calls were said & out 836

Mar 18 Ms

0955 WKXI 107.5 Magee MS RDS ID calls only on display 914
2139 WRFX 99.7 Kannapolis NC RDS bogus KAVD, Classic Rock, new local station off 478

Mar 22 Ms

0759 KFEB 107.5 Campbell MO photo of RDS display this time

Mar 23 Ms

0626 WDBO 96.5 Orlando FL ad "March Madness Sale @ Orlando Kia", first logged 6/1/12 via e-Skip 935
1222 KKDM 107.5 DesMoines IA RDS PI: 1AC2= bogus KEYB. A PI: 2AC2 = KKDM, PTY: Top 40 753

Apr 1 Ms

2135 WSOC 103.7 Charlotte NC RDS with calls & Country, prev. Tr 482

The deadest time of the Dx year is proving to be just that. A little meteor scatter...a little tropo scatter a lot of snow. The Best to All, Dave

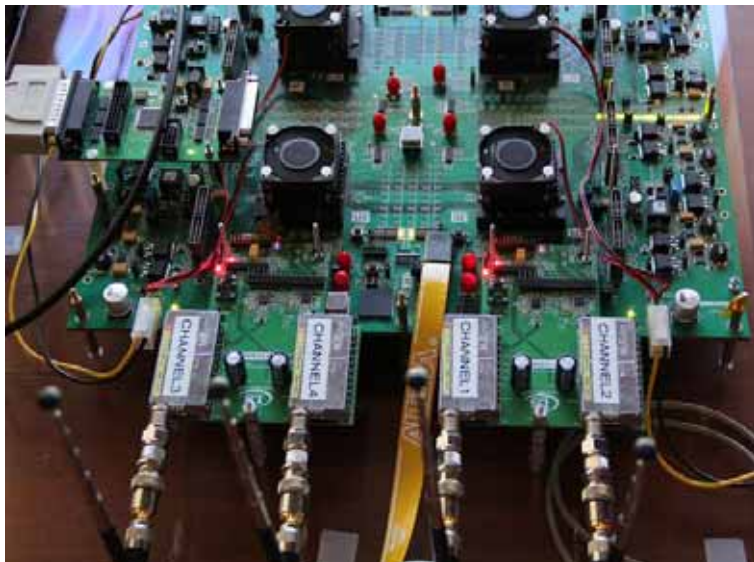
ATSC at 55mph and more: Wi-Flow TV looks to shake up television

Phil Kurz

Wed, 2013-04-24

Cord-cutters and other television viewers who are rediscovering OTA TV reception — whether in combination with OTT video delivery or not — may one day soon have access to pristine ATSC reception whether they're at home in their living rooms or barreling down the road at 55mph.

At least that's the plan of Raj Karamchedu and Lin Yang, co-founders of [Wi-Flow TV](#). The pair says they have developed a multi-antenna reception technology for ATSC digital television that defeats multipath reflections that would be expected in a moving vehicle and delivers between 3dB and 7dB of gain for each additional antenna introduced into the receive system.



Typically, for any wireless systems, there are at least three ways to take advantage of multiple receive antennas, including selection diversity where the best available antenna signal is chosen, averaging of available signals from the antennas in the system, and maximal ratio combining (MRC), which is mathematically optimal, says Karamchedu.

In the world of multicarrier transmission systems, such as DVB-T with COFDM modulation, or even Wi-Fi and MIMO (multiple input/multiple output) wireless technology, maximal ratio combining is well understood and used, he says. But for single-carrier systems, like ATSC's 8VSB, leveraging MRC has not been possible — at least until Wi-Flow TV, explains Karamchedu.

For the past five years, Yang and Karamchedu have been at work on an MRC receive system for a single-carrier television transmission in China, and they claim to have found a winning solution. In the United States, they have put their system to the test in a vehicle they have driven around Silicon Valley, and have achieved reception of a standard — not mobile — ATSC signal while traveling at between 45mph and 55mph that Karamchedu says is every bit as good as the signal from a stationary rooftop antenna 30ft above the ground.

Yang developed an MRC algorithm that overcomes ATSC's inherent design, which is optimized for fixed reception, and has demonstrated the benefits of MRC reception with legacy ATSC using four or more antennas. Karamchedu adds the system is focused on use of four antennas because that's the sweet spot for price and performance.

Karamchedu is looking to productize Wi-Flow TV for both the automotive and the home TV markets. Luxury automobiles, he says, are no strangers to multiple antennas. Between radio, satellite radio and GPS, it is not unusual for some models to have up to 20 antennas. Karamchedu says he hopes adding four more to receive 720p and 1080i HDTV in a moving vehicle won't be too much of a stretch for luxury brand car makers.

In the home, Karamchedu says Wi-Flow TV will take the form of a wireless antenna system made up of four Wi-Flow TV receivers that can be positioned in an attic or elsewhere and linked wirelessly via Wi-Fi to a Wi-Flow TV base station. The receivers, which downconvert RF to digital IF, transmit the digital data to the base station, which in turn runs the company's MRC algorithm before handing off the signal to the HDTV set.

Although Wi-Flow TV is more than a science experiment, it is not yet a product. Karamchedu says before it can become commercially available, Wi-Flow TV needs capital. To that end, he has

launched an effort to find funding to take development to the next level and ultimately to bring the product to market.

If he is successful, Wi-Flow TV may one day make it that much easier for those flirting with the idea of cutting the cord to actually do so and rely on OTA TV reception for network and local TV programming while turning to OTT delivery for their on-demand premium entertainment experience.

Editor's note: Yang and Karamchedu initially developed this technology for use in China under the corporate structure of Legend Silicon. The pair has continued to develop the technology for the ATSC market under the company Wi-Flow TV.



Sounding rocket mission to study what disrupts radio waves

April 25th, 2013 in Space & Earth / Space Exploration



In the Marshall Islands at a range in Kwajalein, the EVEX (Equatorial Vortex Experiment) team readies the launcher. The mission consists of two sounding rockets to study the ionosphere that will launch minutes apart during a launch window of April 27 to May 10, 2013. Credit: NASA/ John Hickman

(Phys.org) —A NASA-funded sounding rocket mission will launch from an atoll in the Pacific in the next few weeks to help scientists better understand and predict the electrical storms in Earth's upper atmosphere. These storms can interfere with satellite communication and global positioning signals.

The mission, called EVEX, for the Equatorial Vortex Experiment, will launch two rockets for a twelve-minute journey through the equatorial ionosphere above the South Pacific. The [launch window](#) for the mission from the Kwajalein Atoll in the Marshall Islands is from April 27 to May 10, 2013.

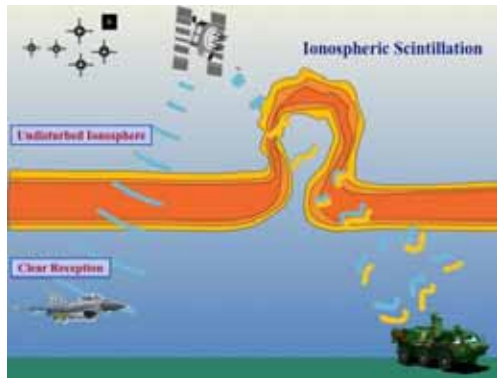
The ionosphere is a crucial layer of charged particles surrounding our planet. This layer serves as the medium through which high frequency radio waves – such as those sent down to the ground by [global positioning system](#) (GPS) satellites or, indeed, any satellite communicating with Earth – travel. The ionosphere begins about 60 miles above the ground and is filled with electrons and ions, alongside the more familiar extension of our electrically neutral atmosphere. Governed by Earth's magnetic field, high-altitude winds, and incoming material and energy from the sun, the ionosphere can be calm in certain places or times of day, and quite turbulent at others.

This area of the ionosphere is known for calm days and tempestuous nights, times when the ionosphere becomes rippled like a [funhouse mirror](#), disturbing radio signals, and introducing GPS errors of a half mile or more. The two rockets will measure events in two separate regions of the ionosphere to see how they work together to drive the ionosphere from placid and smooth to violently disturbed. Such information could ultimately lead to the ability to accurately forecast this important aspect of [space weather](#).

"We're looking at the two highest regions of the equatorial ionosphere, called the E- and F-regions," says Erhan Kudeki, the principal investigator for the mission at the University of Illinois in Urbana-Champaign. "Violent ionospheric storms can occur in the equatorial F-region a few hours after sunset and if we can better understand what causes these storms, we'll be able to better mitigate their effects on communication and navigation systems."

The mission team will wait for the first signs of turbulence developing before launching both rockets. The research goal is to study whether turbulence at sunset in the E-region of the ionosphere could serve as a warning of storms in the higher F-region an hour or two later, so the

team plans to launch on an evening when ground based radar shows the necessary turbulence in the E-region.



When high frequency radio waves, such as those used for the Global Positioning System travel through a disturbed layer of Earth's electrically charged atmosphere, the ionosphere, they can be disrupted. A sounding rocket mission called EVEX (Equatorial Vortex Experiment) launching in Spring 2013 will search for answers to what disturbs the ionosphere. Credit: AFRL

When the conditions are just right, the team will launch a rocket to travel up to a height of 220 miles. They will launch the second rocket two minutes later that will travel up to 120 miles. By staggering the timing of the launches, the two rockets will be able to gather data simultaneously at two altitudes through the ionosphere as they travel their independent trajectories. Before they splash down into the ocean, the two rockets will record data about the electric fields and the density of the charged particles in the region.

Each rocket will also release a stream of lithium or trimethylaluminum (TMA) that can be seen from the ground. When TMA is exposed to the air it turns into aluminum oxide, carbon dioxide and water vapor, all three of which occur naturally in the atmosphere. Groups of scientists at various locations on the atoll will observe the lithium and TMA as it blows in the wind. Together, the observations can be triangulated to show how the neutral wind moved during the flight.

"Neutral winds are one of the hardest things to study," says Doug Rowland, an EVEX team member at NASA's Goddard Space Flight Center in Greenbelt, Md. "One can't physically see the wind, and it is difficult to measure from the ground, so we use the TMA as a tracer."

The neutral winds are believed to be an important part of what causes the ionosphere storms. A mission called EQUIS-2 (Equatorial Ionospheric Study) held in Kwajalein in 2004, gathered data that hinted at a correlation between these neutral winds and the upper ionosphere. The theory is that near sunset, strong eastward neutral winds through the F-region, which begins at 120 miles up, may cause fine scale turbulence in the E-region as well as a strong current and vortex-like circulation in the F-region, leading one to two hours later to a kind of ionospheric storm called "spread F." The movement of spread F throughout the charged ionosphere involves bubbles of material rising up through the atmosphere, not unlike the way colored blobs move upward through a lava lamp due to differences in heat and density.

It is just these moving blobs that can disrupt communications from satellites, so scientists would like to find a simple advance warning in the atmosphere that can be detected from the ground. Vortexes in the E-region can be spotted with the radar and could serve as an efficient telltale for radio-disturbing turbulence above – if observations from a mission like EVEX show that they are, in fact, correlated. "Using radar and sounding rockets simultaneously as in this mission is the only way to gather complete information needed to understand the conjectured couplings of perturbations in these two regions of the equatorial ionosphere," says Kudecki. "There are plenty of radar data about these types of ionospheric storms, but the additional in-situ data to be provided by the EVEX rockets will be crucial in sorting out which theoretical models work best to explain what is really going on during these ionospheric storms."

With two sounding rockets, a multitude of ground radar sites, and instruments to measure a suite of information about both charged and neutral particles, scientists using EVEX data will be able to study the equatorial [ionosphere](#) as a system—understanding how one characteristic effects another – in a way that has never been done before.

Provided by NASA's Goddard Space Flight Center

"Sounding rocket mission to study what disrupts radio waves." April 25th, 2013.

<http://phys.org/news/2013-04-rocket-mission-disrupts-radio.html>

Tecsun CR-1100 Portable Radio with DSP



I bought a Tecsun CR-1100 (Amazon - \$50) to replace my Grundig S350 with a broken antenna, dead AM section, scratchy knobs, etc. I noticed by the screen display pictured online to have the same chipset as the Grundig G8 - the high performance mini portable radio. So I figured it'd be a step up from the S350 for less that I paid for that radio several years ago.

Not only is the above the case, but this radio is more significant because of its *F connector* for an external antenna. While not a traditional tuner or table radio that most would use in the home setup, it offers comparable performance and is very inexpensive. For a new DXer or anyone else sick of trying to find an affordable Sony tuner, this MIGHT be an option.

My NON-SCIENTIFIC comparison of the CR-1100 vs Sony XDR-F1HD and Sangean HDT-1X. Connected to the same FM-6 antenna at 25'

Sensitivity: Most difficult to quantify. They're all comparable, although the audio quality of the Sony and the way it handles very weak signals gives me the impression that it has an edge. The Tecsun and Sangean are indistinguishable, IMO.

Selectivity: If the Sony is a 10/10, the Tecsun is probably a 7.5, and the Sangean is a 6. My strongest local (10 mi, 100kw) gives the Sony almost no issue, while the Tecsun, while still usable, has noticeable splatter on the adjacents. Nashville 50-100kw locals (beaming toward them) at 20-40 miles are no factor for the Sony, and raise the noise floor only slightly on the Tecsun, with some "pops" when they hit peaks. The Sangean has major trouble with my 10 mile local, and has light but very noticeable splatter on all Nashville locals.

Front end/overload resistance: Hard for me to evaluate as my area is not RF dense. Sony and Tecsun have zero issues. Sangean has some minor imaging when pointed into the 10 mi 100kw local.

What I like most about the Tecsun:

1. Signal meter. Measured in 2 digit "db" units. So much better than the useless S-meters on the Sangean and Sony. Very nice to find nulls and peaks when aiming the antenna.
2. Interface. Very easy to use, with knobs for tuning, volume and audio tone.
3. Performance for the price. I paid \$50 with free shipping on Amazon. Half the price of the Sony when it was new, 1/4th of what a new HDT-1x went for (don't know what it costs now).

What I don't like:

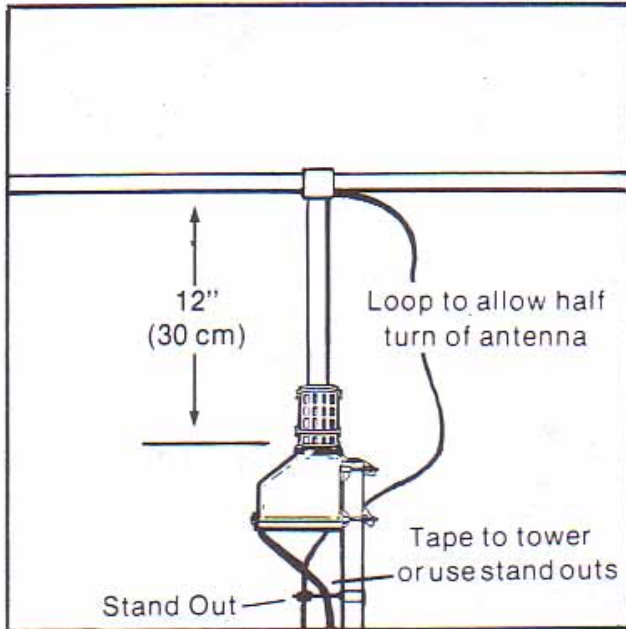
1. No RDS
2. Very dramatic "soft mute". Listening to a weak signal you have to crank the volume, which will blast you out if you scroll past a local. I imagine this would get annoying if using for Ms or Es with widely variable signals.
3. Cheap, lightweight feeling. The box it came in featured prominent Chinese writing. No indication of whether it will last though; the Sony seemed great but I've had one go completely dead on me, and my remaining 2 both have minor problems.
4. Audio quality through the output jack is not great (although from the speaker it sounds very good).

In summary, I think that for the price, this is a radio to consider. Simply for it's strong performance, price, and multi-functionality (still a good portable radio, alarm clock, and has a good AM section as it's smaller Grundig/Tecsun) counterparts. That being said, if you want a really, really good radio, the Sony XDR runs circles around everything else, in my opinion. I keep the Sangean around only for it's "HD off" mode and it's superb RDS.

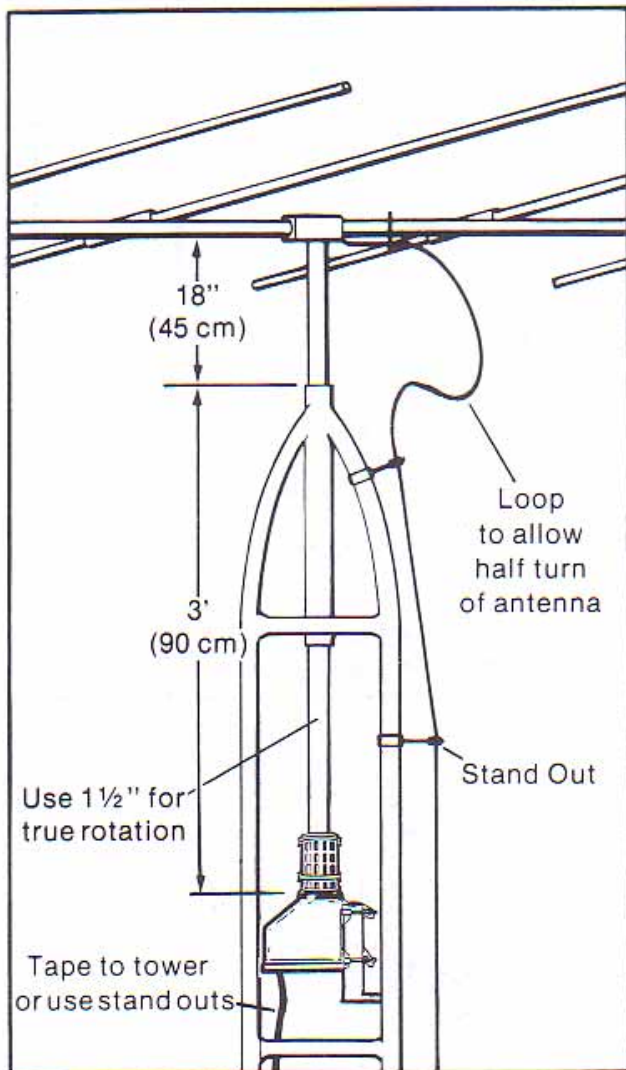
Cheers,
Bryce Foster - K4NBF
Murfreesboro, TN EM65

ROTOR INSTALLATION INFO

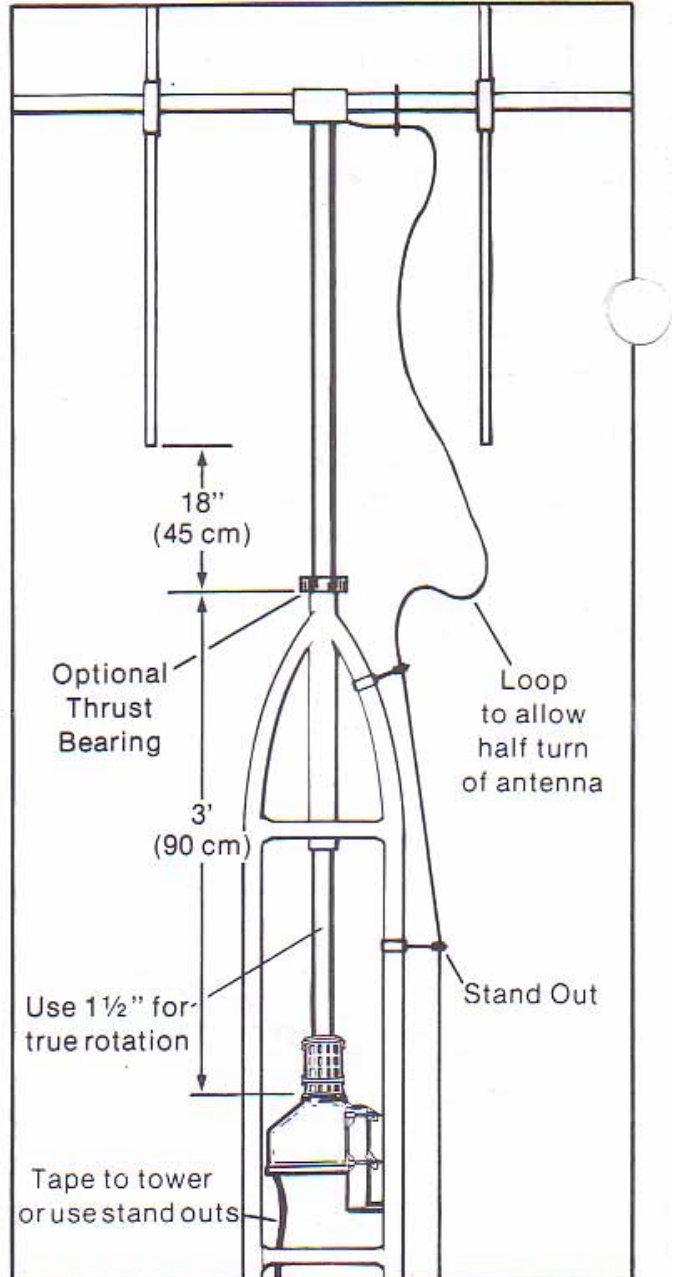
From Channel Master



Sketch A — Horizontal Polarization for Single Antenna Only.



Sketch B — Horizontal Polarization



Sketch C — Vertical Polarization

STEP 2 — If you have a fixed polarization antenna, decide on horizontal or vertical signal polarization. Check antenna instructions and sketches A, B & C.

STEP 3 — Proper rotator cable must be used. (See chart below.)

Gage AWG	MM	Number of Conductors	Maximum Length	
			Feet	Meters
22	0,6	3	160	48
22	0,6	4*	180	55
20	0,8	3	255	78
20	0,8	4*	285	87
18	1,0	3	400	122
18	1,0	4*	445	136

*Attach 3 & 4 conductors to No. 3 terminals on control and drive.

SIGN UP/Renewal form

YEARLY DUES \$10.00 USD for Monthly VUD eZine

Name _____

Address _____ Apt # _____

City _____ State/Prov _____ Zip _____

Country _____ Interests: TV () FM () 30-50() Weather()

email address _____

Sign me up/renew me for: 1 year () 2 years () More ()

I have no computer or access to one. Please send a paper VUD(\$24) ()
Please, 12 month renewals only for paper VUDs. Thank you.

Yearly dues **Mail your dues to: WTFDA, P.O. Box 501, Somersville, CT USA 06072**

Make your checks/money orders payable to: WTFDA

And *thanks* for your support of the WTFDA!

Return this form with your dues or make a copy of it and return that.

WTFDA BOARD OF DIRECTORS

Mike Bugaj, use the WTFDA Mailing address listed below
Doug Smith, 1385 Old Clarksville Pike, Pleasant View, TN 37146-8098
Greg Coniglio, 11825 Genesee St., Alden, NY 14004
Keith McGinnis, 18 Newbridge St., Hingham, MA 02043

mikeb@wtfda.org
dougs@wtfda.org
gregc@wtfda.org
nfmdx@wtfda.org

RENEWALS BY PAYPAL: SEND YOUR DUES FROM THE PAYPAL WEBSITE TO SALES@WTFDA.ORG

Fred Nordquist, 147 Travis Hill Road, Moncks Corner, SC TV and FM STATISTICS stats@wtfda.org

Tim McVey, webmaster WTFDA.ORG WEBSITE webmaster@wtfda.org

Chris Cerventez, webmaster WTFDA.INFO WEBSITE chriscervantez@gmail.com

WTFDA EMAIL REFLECTORS

Enhance your DXing experience! Entertaining and informational.
E-skip alerts! Tropo alerts! DX discussion and more!

For WTFDFA members! Sign Up Today!

The WTFDA list with **200** users...send an email to tvfmdx-subscribe@wtfda.info

And for AM DXers there's the AMDX list. To join, send a blank email to amdx-subscribe@wtfda.info

WTFDA.org Is Back No Password Needed Completely Redesigned

- Lots and Lots of Links
- VUDs from 70s thru 2000
- Memorabilia

<http://www.wtfda.org>



Worldwide TV-FM DX Association
Serving the VHF/UHF DX Enthusiast since 1968

WTFDA FORUMS
<http://www.wtfda.info>

Where DXers Go To Hang Out



Find us on:
facebook®

**THE WORLDWIDE TV-FM DX ASSOCIATION
THE VHF- UHF DIGEST
P.O. Box 501, SOMERSVILLE, CT 06072**

Opinions expressed in this publication are those of the individual contributor and do not necessarily reflect the views of the publisher or board of directors. We reserve the right to edit material to meet publishing standards. Unless previously agreed upon in writing, all material submitted for publication in the VHF-UHF Digest becomes the property of the WTFDA. Reproduction of material from the VHF-UHF Digest without permission of the WTFDA is prohibited. Individuals and other organizations are granted such permission providing proper credits is given to the source.



Established 1967



FIRST CLASS MAIL