

# VHF-UHF DIGEST

DEVILS LAKE  
**WDAZ 8** tv <sup>NB</sup>  
GRAND FORKS

**4** <sup>WBZ-TV</sup>

1970

**6**

WCIX-TV • MIAMI

WBAY **2**  
GREEN BAY

abc **7**

KSWO-TV • LAWTON  
OKLAHOMA

**KUTV 2**

**8**  
RIF TV  
COLORADO  
IDAHO FALLS • POGATELLO

WGAD  
**8**  
abc  
TELEVISION

CHANNEL  
**17**

**WPHL-TV**

**W 2**  
CHANNEL  
W-TWO TERRE HAUTE

**COBI**  
TV

**KRER 7**  
REDDING, CALIF.

**KOBI 5**  
MEDFORD, ORE.

**KIEM 3**  
EUREKA, CALIF.

**KOTI 2**  
KLAMATH FALLS, ORE.

"The NEW direction in TV"  
**11 KDIN-TV**  
Des Moines  
**KIIN-TV 12**  
Iowa City

**KXMB-TV**  
BISMARCK-MANDAN  
CHANNEL **12**

NBC  
**WBAP-TV 5**

WLWC  
TV **4**

**7**  
WHIO TV  
DAYTON, O.

**KTVU**  
**2**

KOPX  
TELEVISION **4**

**KCENTV 6**

<sup>NB</sup> **wfbc-tv 4**  
GREENVILLE, SOUTH CAROLINA

**WPLG-TV**  
**10**  
MIAMI

**3** <sup>NB</sup>  
**6**

**KARK 4**  
LITTLE ROCK

**4**  
DALLAS - FT. WORTH

**KSTP TV**  
ST PAUL • MINNEAPOLIS



NOTE TO EDITORS:

THOSE RECEIVING STENCILS FROM HQ SHOULD LET HQ KNOW EACH MONTH HOW MANY STENCILS YOU HAVE LEFT SO WE KNOW WHEN AND HOW MANY TO SEND YOU.

.....  
FROM ALL THE SKIP BEING SEEN AND HEARD AROUND THE CONTINENT, IT APPEARS WE MAY HAVE A BETTER WINTER THAN LAST FOR F2 INTERCONTINENTAL SKIP. AT THIS WRITING (20TH) AT LEAST 4 DAYS OF F2 HAVE BEEN HEARD FROM EUROPEAN TV ALREADY.

SCIENCE & ELECTRONICS MAGAZINE HAS JUST ANNOUNCED THAT IT HAS PUBLISHED ITS LAST ISSUE. THIS IS NO SURPRISE TO THOSE OF US WHO FIRST HEARD THE NEWS AT THE AUGUST ANARC CONVENTION. THE ANNOUNCEMENT ON PG 24 OF THE DECEMBER/JANUARY S&E INDICATES THAT THE EDITORS CONSIDER IT A BIG STEP FORWARD TO SCREW THEIR SUBSCRIBERS, JUST AS POPULAR ELECTRONICS DID A FEW MONTHS AGO. I HAD ALREADY WRITTEN S&E ASKING FOR MY MONEY BACK BECAUSE I RENEWED MY SUBSCRIPTION IN APRIL FOR 2 OR 3 YEARS. I TOLD THEM I HAVE 4 YEARS OF SCHOOLING IN ELECTRONICS AND I BOUGHT S&E ONLY FOR WHITES LOG, AS BAD AS IT IS. I HAVE NO USE FOR A CHILDREN'S MAGAZINE OF BASIC ELECTRONICS. (UNEXPIRED S&E SUBSCRIPTIONS WILL BE TRANSFERRED TO ELEMENTARY ELECTRONICS. WHITE'S LOG WILL APPEAR IN A NEW MAG CALLED COMMUNICATIONS WORLD, WHICH THEY CALL SEMI-ANNUAL---PUBLISHED IN JANUARY AND SEPTEMBER. THATS THE WEIRDEST DEFINITION OF SEMI-ANNUAL I'VE EVER HEARD.) AS MUST BE OBVIOUS FROM MY PRECEDING COMMENTS, I AM NOT AT ALL HAPPY ABOUT BEING SCREWED BY COMMERCIAL PUBLISHERS ANY MORE THAN I AM HAPPY ABOUT BEING SCREWED BY DX CLUBS THAT SUDDENLY GO UNDER WITH NO PRIOR NOTICE. IT CAN AT LEAST BE ARGUED THAT A CLUB DOES NOT CALCULATE ITS FRAUD MONTHS OR YEARS AHEAD AS DOES A MASS CIRCULATION NATIONAL PUBLICATION. BUT IN THIS MODERN DAY AND AGE SOME FIRMS GET A KICK OUT OF TAKING MONEY UNDER FALSE PRETENSES, AND OTHERS JUST DON'T CARE AT ALL. IT WAS REFRESHING TO NOTE THAT WHEN THE IOWA SHORTWAVE ASSN DECIDED TO CEASE PUBLICATION, IT INFORMED ITS MEMBERS IN ADVANCE, ACCEPTED NO NEW MEMBERS, AND ARRANGED TO FULFILL ITS OBLIGATION TO CURRENT MEMBERS FOR AS LONG AS MEMBERSHIPS WERE STILL UNEXPIRED. IF A SMALL CLUB IN IOWA CAN DO IT, WHY CAN'T OTHER CLUBS--AND BIG NATIONAL PUBLISHERS--- DO THE SAME? FORTUNATELY THERE ARE A FEW GOVERNMENT OFFICIALS AND OTHER CONSCIENTIOUS CONSUMER-MINDED PEOPLE WHO CARE ABOUT US POOR SUCKERS, BUT THERE ARE SO FEW OF THEM THAT THEY HAVE BARELY BEGUN TO FIGHT.

SOME EDITORS AND/OR REPORTERS HAVE MADE A FEW MISTAKES IN STATE ABBREVIATIONS. NEBRASKA IS NOW NE (SO AS NOT TO CONFUSE IT WITH NB FOR NEW BRUNSWICK IN CANADA.) CN, KN, WN HAVE NEVER EXISTED. CT HAS ALWAYS BEEN CONNECTICUT, KS IS KANSAS, AND WA IS WASHINGTON.

I SHOULD EXPLAIN FURTHER THAT A COUPLE MONTHS WHEN I PUBLISHED A LIST OF MEMBERS WHO HAVE JOINED WTFDA AS A RESULT OF VARIOUS MAGAZINE ARTICLES AND ADS, THE TOTAL OF MEMBERS PUBLISHED WAS THE TOTAL OF THOSE STILL MEMBERS. TV GUIDE AND OTHER MEMBERS WHO HAD JOINED A YEAR OR MORE BEFORE WEREN'T ALL LISTED BECAUSE SOME OF THEM DROPPED OUT IN THE YEAR + SINCE JOINING. A COMPLETELY ACCURATE LIST WOULD INVOLVE GOING BACK THROUGH THE DROP-OUT MEMBERSHIP CARDS, AND ISN'T IMPORTANT SINCE THESE WERE ONE--YEAR-WONDERS ANYHOW.

THIS MAY OR MAY NOT BE OF ANY IMPORTANCE OR INTEREST TO ANYONE, BUT IF ANY OF YOU HAVE SUFFERED THE FRUSTRATIONS I HAVE OF TRYING TO GET INTO ELECTRONICS WITHOUT EXPERIENCE THIS MAY HELP YOU. I FINISHED A RADIO-TV REPAIR COURSE IN 1961 BUT COULD NOT GET A JOB IN IT BECAUSE I LACKED EXPERIENCE; AND I COULD NOT GET EXPERIENCE WITHOUT A JOB, OF COURSE. THERE WERE ONLY TWO WAYS TO GET INTO THE BUSINESS AT THE TIME: START YOUR OWN SHOP OR WORK FOR NOTHING FOR SOMEONE ELSE. I COULDN'T AFFORD EITHER SO I HAVE NEVER WORKED IN THE OCCUPATION. LATER I TOOK ANOTHER COURSE IN ELECTRONIC TECHNOLOGY AND HAD THE SAME PROBLEM. RECENTLY I LEARNED THAT THE STATE BRANCH OF THE TV REPAIRMAN'S NATIONAL ASSOCIATION NATESA OFFERS TRAINING PROGRAMS, APPRENTICESHIPS, IN COOPERATION WITH THE STATE EMPLOYMENT SERVICE FOR FINANCING. ONE LARGE LOCAL SALES/SERVICE EMPLOYER HAS ITS OWN PROGRAM FOR TRAINEES AS WELL, INDEPENDENT OF TESA-WISCONSIN, NATESA'S STATE BRANCH. NEITHER NATESA NOR TESA IS LISTED IN THE YELLOW PAGES, SO THE ONLY WAY TO FIND OUT ABOUT IT WAS TO CONTACT A TESA MEMBER REPAIR SHOP. THIS WHOLE APPRENTICESHIP IDEA WAS BEGUN IN RECENT YEARS BECAUSE OF THE INCREASING SHORTAGE OF QUALIFIED TECHNICIANS, WHICH HAS FORCED WAGES UP ACCORDINGLY. COLOR TV, TRANSISTORS, AND HI-FI HAVE HAD A GREAT EFFECT ON THE INDUSTRY IN THE PAST DECADE AND ITS A GOOD THING TO GET INTO IF THATS YOUR BAG. YOU DON'T NEED A COLLEGE EDUCATION OR EVEN COLLEGE LEVEL MATH AS SOME MAY THINK, SO IF YOU'RE INTERESTED CONTACT ANY LOCAL SHOP DISPLAYING THE NATESA EMBLEM. THEY CAN INFORM YOU OF ANY LOCAL TRAINING PROGRAMS WHICH CAN BE SUPPLEMENTED WITH OJT AT A NATESA-MEMBER REPAIR SHOP, TO GAIN THAT ALL-IMPORTANT EXPERIENCE. TRADE SCHOOLS ARE FINE BUT THEY ARE OUT TO GET YOUR MONEY WHETHER OR NOT THEY CAN GET YOU A GOOD JOB WITHOUT EXPERIENCE.



# THE EUROPEAN SCENE

Roger Bunney, Trelawne, Cupernham Lane, Romsey, Hants, SO5 8JH, England

The period under review has produced some excellent trop reception, indeed possibly the best for some years. One DXer has likened it to the famed 1965 trop season- which in the Autumn gave many days of reception over much of Europe. In particular, the '70 trop has given prolonged UHF reception for those in favourable locations, into W. and E. Germany, Sweden, down into Austria and up into Sweden. Distances have covered up to 800 miles on UHF.

My own log is as follows:

- |  |   |  |
|--|---|--|
| Sept.  |   | 27- Czech, O1; Sweden, E2; WG, E4, ORTF, F12 |
| 17- ORTF, F12,21,27,45; BRT, E11; NOS, E4,6; Tele-Luxembourg, E7, rare!                                  |   | 28- WG/EG, E4; NOS, E4 (trop)                |
| 18- ORTF, F7,21x2,33,43,59; MS-RAI, IB   |   | 29- Sweden, EG, WG, E4                       |
| 21- Sweden, E2; NOS, F4; Eire, E7  |   | 30- Czech, O1                                |
| 22- NOS, F4,29,32; E Germany, E6 (trop) Switzerland E6 (trop); WG, E8,9,10, 11,35; BRT, E8,10,11         | OCT.                                    |  |
| 23- WG, 21,22,23x2,24x2,25,26,27,29, 31,32,34,43,50,56x2,60,E7,8,9,10, 11; NOS, E4,5,29; E Germany, E5,6 | 4- BRT, E2; ORTF, 21                    |  |
| 24- ORTF, 21,22,28,33,46; BRT, E8,11; WG, E10  | 5- Sweden, E2                           |  |
| 25- WG, E9,21,23,24,29,35; NOS, E5,6,7 Es, TVE, E2   | 6- EG, E4; Sweden, E2; TVE, E2,4 (Es)   |  |
| 26- EG, E4; (MS) RAI, IB; Eire, H,F  | 7- EG, E4; TVP, O1,02; USSR, O1,02 (Es) |  |
|  | 10- Czech, TVP, O1                      |  |
|  | 12- BRT, E2                             |  |
|  | 13- WG, E4; BRT, E2                     |  |
|  | 15- Trops- BRT, E2,10; NOS, E4,7        |  |

I have one report of reception, on September 25, of ORF, Austria, on UHF channels 21-24, received in Yorkshire at a distance of 720 miles.

On the 26th Spetember, paging station tones were noted, followed on later days by similar reception. This is an earlier time than last year, so possibly this year may be better for F<sub>2</sub>, or at worst similar to last season. USSR forward scatter stations have been noted on several mornings since then.

For DXers interested in FM, one station that they will now never hear in Europe is Radio North Sea International. This station closed on 24th September, together with its 2 shortwave, and its high powered medium wave transmitters. Most members will be familiar with the story of this sea-bases transmitting ship.

For European sited members, several new FM transmitters will be opening in the UK, carrying local radio stations, originated by the BBC. Possibly one thing that may prove more difficult with their reception is that a number of these will be using slant polarisation. Transmitting aerials will be mounted at 45° to the horizontal, which will favour reception in cars, but possibly will give poor results for aspiring DXers at great distances.

For DXers in Europe, details of high powered Finnish transmitters: Helsinki will operate from a 1000' mast as from June, '71. The TV1 network will ERP to W and Sw 180 kw, 60 kw in other directions; and the TV2 network with 60kw and 20kw, respectively. Channels are E6 and 8, respectively.

Recently the ITA opened their last 405 line transmitter in Band 3, at Newhaven on the Sussex coast. From now on, all effort will be put into the UHF network and relay stations, to increase their colour coverage- as most people in the USA will know, all colour transmissions are on UHF here, only 405 line working is used in Bands 1 and 3 with monochrome.

Good DX,

*Roger*

The sunspot details for Sept. are at right:	DATE	1-5	98	104	110	111	114
Mean value for the month, 98.8		6-12	133	136	125	116	103 73 76
Predictions for the next six months:		13-19	73	76	75	68	65 75 9 8
Oct. 94	Jan. 88	20-26	114	129	109	104	129 114 107
Nov. 92	Feb. 86	27-30	87	85	81	77	
Dec. 90	Mar. 84						







# STATISTICS

NEW ADDRESS:  
Glenn Hauser, editor  
1312 West Oak Ave.  
Enid, OK 73701

DECEMBER 1970

## ADDITIONS AND REVISIONS

Ch	Call	Location	Prop.	Miles	DXer, Location	Old Record
2	KTVN	Reno NV	(Es)	1425	Robert Grace, Franklin TX	Cooper 1235
	WUND	Columbia NC	T	130	David Singer, Richmond VA	Andrews 100
	CKCW	Moncton NB	T	405	Rick McGuire, Everett MA	new
3	KYTV	Springfield MO	T	450	Bruce Metzner, Madison WI	Neal 385
	WJMN	Escanaba MI	T	250	Gary Olson, Deerfield IL	Brown 245
4	WDAF	Kansas City MO	T	680	Ron Le Blanc, Marrero LA	Draeb 515
	KDUH	Hay Springs NE		1335	Donald Richardson, No. Syracuse NY	Burritt 1305
	GJCN	Grand Falls NF		1375	John Robertson, Crosswell MI	Wheeler 1360
5	KTLA	Los Angeles CA	2Es	1945	Harold Cooper, Westland MI	Rusel 1265
	KCMO	Kansas City MO	T	680	Ron Le Blanc, Marrero LA	Bourgeois 670
6	WFBM	Indianapolis IN	T	720	Ron Le Blanc, Marrero LA	Hauser 675
	"CBLT"	Toronto ON	T	425	Rick McGuire, Everett MA	Draeb 410
	XET	Monterrey NL	T	430	Robert Grace, Franklin TX	Dyer 280
8	KGNS	Laredo TX	(T)	595	Ron Le Blanc, Marrero LA	Grace 290
10	KLOE	Goodland KS		450	Bill Heusmann, Des Moines IA	Cooper/Hauser 345
	WILX	Onondaga MI		635	Marv Garber, Lincoln NE	Ringham 425
11	KPLR	Saint Louis MO		595	Ron Le Blanc, Marrero LA	Howington 495
	WENH	Manchester NH		250	Donald Richardson, N Syracuse NY	Kumjian 155
	WLUK	Green Bay WI		680	Dave Egan, Valleyfield PO	(new)
12	KIIN	Iowa City IA		415	Harold Cooper, Westland MI	Garber 270
	WJTV	Jackson MS		655	Joe Kureth, Southern Pines NC	TIE Heusmann 655
	WHYY	Wilmington DE (NJ)		290	Robert Seybold, Dunkirk NY	Siddall 285
	WCTI	New Bern NC		600	Harold Cooper, Westland MI	Kadet 585
13	WEAU	Eau Claire WI		720	Robert Cooper, Oklahoma City OK	Collins 610
15	WANE	Fort Wayne IN		765	Robert Cooper, Oklahoma City OK	Swanson 440
16	WNDU	South Bend IN		740	Robert Cooper, Oklahoma City OK	Swanson 490
	WAPT	Jackson MS		160	Ron Le Blanc, Marrero LA	new
	KVVV	Galveston TX		320	Ron Le Blanc, Marrero LA	new
17	WPHL	Philadelphia PA		455	Harold Cooper, Westland MI	Lewis 335
19	WXOW	La Crosse WI		665	Robert Cooper, Oklahoma City OK	Seibold 605
	CICA	Toronto ON		5	Joel Rosenberg, Downsview ON	new
20	WICS	Springfield IL		835	Fred McCormack, Des Lacs ND	Collins 585
	WFYI	Indianapolis IN		330	Pill Draeb, Wewaunee WI	new
21	WPTA	Fort Wayne IN		765	Robert Cooper, Okla City OK	Lewis/Nieman 340
22	WJCL	Savannah GA		235	Joe Kureth, Southern Pines NC	new
24	WMET	Baltimore MD		255	Robert Seybold, Dunkirk NY	Fela 460
	WDHO	Toledo OH		865	Robert Cooper, Oklahoma City OK	Pomeroy 635
25	WEEK	Peoria IL		785	Fred McCormack, Des Lacs ND	Cooper 555
	WHAG	Hagerstown MD		345	Harold Cooper, Westland MI	Vogt 60
26	WETA	Washington DC (MD)		465	Roger Carriere, Buckingham PO	Tulice 190
27	WKYT	Lexington KY	***	1105	Fred McCormack, Des Lacs ND	Cooper 740
28	WSJV	Elkhart IN		740	Robert Cooper, Oklahoma City OK	Swanson 490
30	WGTE	Toledo OH		860	Robert Cooper, Oklahoma City OK	Draeb 275
32	WLKY	Louisville KY (IN)		1040	Fred McCormack, Des Lacs ND	Cooper 670
33	WKJG	Fort Wayne IN		765	Robert Cooper, Oklahoma City OK	Lewis/Kenaar 340
36	WFIQ	Florence AL		555	Robert Cooper, Oklahoma City OK	Olson 410
	KGTO	Fayetteville AR		210	Dave Pomeroy, Overland Park KS	Cooper 190
40	WCMC	Wildwood NJ		335	Robert Seybold, Dunkirk NY	Kumjian 195
41	KBMA	Kansas City MO		295	Robert Cooper, Oklahoma City OK	new
42	KHFI	Austin TX		455	Ron Le Blanc, Marrero LA	Hauser 425

\*\*\*North American, probably world UHF-TV DX Distance Record. Congratulations, Fred!!--GH



48	WMSL	Huntsville AL	620	Robert Cooper; Oklahoma City OK	new-was ch 23
	WKBS	Philadelphia PA	460	Harold Cooper; Westland MI	Lewis 335
49	WLBC	Muncie IN	735	Robert Cooper; Oklahoma City OK	Lewis 390
50	WKBD	Detroit MI	900	Robert Cooper; Oklahoma City OK	Olson 325
56	WTVS	Detroit MI	900	Robert Cooper; Oklahoma City OK	Rauch 350
62	WBLG	Lexington KY	545	Dave Pomeroy; Overland Park KS	Draeb 470
70	K70CL	Fort Dodge IA	530	Fred McCormack; Des Lacs ND	KRNT-8
	K70EN	Manhattan KS	105	Dave Pomeroy; Overland Park KS	Prus 5
80	K80CP	Beatrice NE	140	Dave Pomeroy; Overland Park KS	new

## TV RANK

DXer, Location	Stations	States	Provinces	Countries	As of date
Roger Brown, East Lansing MI	243	37	6	4	20 July
Frank Wheeler, Erie PA	228	32+DC	9	3	26 August
Glen Neal, Sayre OK	223	37	4	3	27 September
Harold Cooper, Westland MI	180	27	1	3	9 August
Robert Grace, Franklin TX	145	29+DC	2	4	2 October
Jerry Pulice, Staten Island NY	144	33	3	3	29 June
Dennis Smith, Wasco CA	140	25	3	3	24 August
Ron Le Blanc, Marrero LA	137	30	1	6	11 October
Les Prus, Manhattan KS	127	27+DC	0	1	23 September
Pat Dyer, San Antonio TX	124	33	2	5	31 August
Fred Nordquist, North Syracuse NY	98	18	2	2	18 September
Donald Richardson, N. Syracuse NY	95	23	4	2	25 September
John Shannon, Kittanning PA	76	22	3	3	6 October
Dennis Smith, Little Creek VA	69	18+DC	3	3	24 August
Dennis Smith, Santa Barbara CA	34	4	0	2	24 August
Glenn Hauser, Korat Thailand	27	0	0	12	11 November

Comments on Statistics. Donald Richardson notes "I log only those FM stations for which I get ID or equivalent on audio tape, and keep no record of others received." I believe Bill Bens does the same; while how you choose to DX and keep records is up to you, I want to emphasize that this column does not require such stringent "verification"--all we ask is that you be certain, beyond a reasonable doubt, that you have received the stations. Such factors as local ads, direction, frequency, skip distances, etc., can make a catch just as definite as hearing the call sign, we feel.

I hope all of you realize that these statistics are by no means the absolute measure of a DXer's skill and achievements! A DXer in an unfavorable location may have to work much harder to build up a smaller total than someone else in a good location. John Shannon suggests we publish details of DXers' location, time spent DXing per week, etc. Comments? Other DXers happen to live on the "wrong" side of other DXers and are often "edged out" when it comes to distance records. Frank Wheeler notes that Bob Sevhold has such an advantage over him, and adds "I'm not crving, only stating facts." Yes, this is a problem that has long concerned your editor, who has not been able to come up with a better system than the present one. Can you? Frank also suggests it might be a good idea to run some records excluding no longer active (or even alive) DXers. A good idea, I think, perhaps starting from scratch each calendar year (in addition to all-time records). Glen Neal makes a "foolish" suggestion: "...start some sort of DX contest for, say, all of next year; at the end, you could list the DXers with the most catches and then list, starting with the best first, the most distant or power-wise the best..."

How about some comment from other members?!

Your editor/I/we is/am/are (take your pick, hi hi) about to embark on a move from the far side of the world, so please bear with him/me/us if the statistics column does not appear next month. He/I/we expect(s) to be in Oklahoma by the time you see this, if not already at Warner Robins, Georgia, which is to be our next "permanent" OTH. The Oklahoma address given at the head of the column will serve as a forwarding point indefinitely. 73, Glenn



# CENTRAL TV DX

Roger H. Brown  
624 Evergreen  
E. Lansing, MI 48823

December 1970

Next deadline, December 15

TV-DX, AS NOTED BY ENTHUSIASTS IN WI, IL, IN, MI, OH, PA AND EASTERN CANADA

Though the mid-October to early November period is just a bit late in the year for red-hot DX, several reports noted good openings, via several propagation modes. Since I'm really pretty new to "serious" DXing, it seems to me that at least one of the two Es openings that occurred during the month was just a bit unusual. I don't have a lot of experience to draw upon though, so perhaps the surprise skip session on the evening of November 8 wasn't all that rare.

A comment from Chicago's Morrie Goldman leads your editor to understand that the previously mentioned (see November column) Es opening of October 16 was "induced" by aurora. That seems to pan out, from other information received here.

Friend Goldman also passes the information that this just might be a good winter for F2. For those set up for reception of European stations, a resounding "good luck" is issued from E. Lansing! Good to hear from Morrie again. For new members, he edited this column until last January. I'm still trying to catch up to his quality. Just for that...let's start in Chicago.....

Morrie Goldman, 5815 N. Christiana Ave., Chicago, Ill. 60645 CST

10-31 F2 1014 ORTF on French Ch. 1 (41.25 MHz), audio only lasting until 1130.

Peaked at about 1030.

BBC on British Ch. 1 (41.5 MHz), audio with signals weaker than ORTF.

"Considering we're now on the downside of the sunspot cycle, but rather early in the season, this is an encouraging sign. Perhaps several days of reception suitable to produce video may yet be in store for the winter!" (A call to Morrie also revealed that he is set for UHF at least with a 7 foot dish at about 50 feet atop the roof. He caught at least one new station...KDUB-40 Dubuque in above average conditions early in the week of November 8. We'll reveal his total installation when it reaches completion. RHB)

Gary Olsen, 1203 Kenyon Rd., Deerfield, Ill. 60015 CDST

10-19 Tr 0730 WKJG-33 Ft. Wayne

"Probably missed most of the DX this period. Have been busy. Weather has been poor. I missed the skip opening completely. Will be looking for better condx this month!" (I have a feeling Gary also had some luck with tropo during the second week of November. More next month. RHB)

Bill Draeb, Ellis Street, RR#2, Kewaunee, Wis. 54216 CDST/CST

10-11 Tr 0605 (CDST) WISH-8, WLWI-13  
Indianapolis, WJW-8 Cleveland.

10-16 Es 1930 Unid Canadians with ant.  
aimed NW.  
2015 WGBH-2, WBZ-4, WHDH-5 Boston,  
WCSH-6 Portland, Me.  
2040 WTEV-6 Providence, RI  
(41st state)  
2050 WTIC-3 Hartford, Conn.

10-18 MS 0608 KATC-3 Lafayette, La.  
10-19 MS 0519 WETC-6 Wilmington, N.C.  
10-25 Tr 0640 WKBD-50 Detroit, WAKR-23  
Akron, 0645 WUAB-43 Lorain,  
0810 WKNX-25 Saginaw, WDHO-24  
Toledo, WICD Danville, 0832  
WJET-24 Erie.



Draeb, cont.

- |  |  |
|--|--|
| 10-26 Tr 0540 WTRF-7 Wheeling, WSTV-9 Stuebenville, WBNS-10 Columbus 0600 CHCH-11, CFTO-9 1645 tentative CICA-19 Toronto, 20kc CCI on WUCM Bay City, also, WCMU-14, WKBD-50a | 11-8 MS 0635 KGNC-4 Amarillo, Tex. Tr 1620 WEEK-25, WMBD-31 Peoria, WICD-15, WLFI-18 Lafayette. 1630 WIRL-19 Peoria, WAND-17 Decatur, WKPC-15, WLKY Louisville. 1650 KDUB-40, 1710 WLEX-18, WKYT-27 Lexington, WXIX-19 Cincinnati Es 1759 KGBT-4 Harlingen (1400) KRGV-5 Weslaco, Tex. (1425) plus KPRC-2, KRIS-6, WOAI-4, KENS-5 1845 KDFW-4, WBAP-5, 1930 KFDX-3, KAUZ-6, KACB-3 plus Unids! |
| 10-31 MS 0555 WWAY-3 Wilmington, NC  |  |
| 11-1 MS 0631 WBAP-5 Dallas, Tex.   |  |
| 11-6 Tr 0550 WPTA-21, WKJG-33 Ft. Wayne  |  |

"...managed to add two more stations and one new state. Log now (gasp) 442. By the way, Green Bay's ETV ch. 38 will be on the air late in '71. Will run 1121 watts ERP, with antenna side mounted on either ch. 2 or ch. 11 Green Bay's tower. (Bill, you caught Es session on the 8th earlier than most. Congrats on new state. WTEV-6 is only one of two R.I. stations with transmitter in R.I! RHB)

Harold Cooper, 29800 Ann Arbor Trail, Westland, Mich. 48185

EST

- |  |  |
|--|--|
| 10-1 Tr 0700 CHEX-12 Peterborough, Ont. CHEX2-10 Minden, Ont. (my 1970 Factbook says that's an automatic repeater at 8.9 watts at 100 feet above ground.... RHB) | 10-23 Tr 1120 WCVN-54 Covington, Ky. 1130 WFIE-14, WEHT-25 Evansville, Ind. 1140 WKPC-15 Louisville 1500 WKPT-19 Kingsport. 1600 WKMU-27 Murray, Ky. 1620 WKPI-22 Pikeville, Ky. 1700 WKYT-27, WLEX-18 2100 WPGH-53 Pittsburg, Pa. |
| 10-16 Es 1930 CJOX-3 Argentia, Nfld. (1455) 2030 CBHT-3, CJCH-5 Halifax, N.S. 2100 CHSJ-1-6 Bon Accord, N.B.   |  |
| 10-18 MS 0655 WOAI-4 San Antonio   |  |
| 10-23 Tr 0507 WLAC-5 Nashville, Tenn. 0515 WLOS-13 Asheville, NC 0525 WDEF-12 Chatanooga, Tenn. 0625 WAAY-31 Huntsville, Ala. 0655 WKSO-29 Somerset, Ky.         | 10-26 MS 0200 KOA-4 Denver 10-29 MS 0400 KTIV-4 Sioux City 10-31 Tr 0620 WCSH-8 Charleston, W. Va. 0900 WLEX-18, WKYT-27, WBLG-62 Lexington.   |

"...a new approach to TV DXing here consists of getting up from 0200 to 0500 to watch for MS. Had 5 un-id ch. 2 tps one morning!" (What can I say but "yawn". RHB)

J. Joel Rosenberg, 47 Pannahill Road, Downsview, Ont. 475

- |  |   |
|--|---|
| 10-7 Tr in evening: Us from Erie, Syracuse, Rochester, Detroit.                                    | 10-15 Es 1230-1530 Un-Id Es.  |
| 10-8 Tr 0730 Youngstown, Erie, Elmira, Us 1900 Same plus Cleveland, Utica, Syracuse, Rochester Us. | 10-16 Es 2100 KETS-2 Little Rock, Ark. 2200 WKY-4 Ok City, Okla. tent. ch. 5 Ok City 2330 opening fading. |
| 10-11 Au in evening through ch. 5, no IDs  | 10-23 Tr 0930 WWJ-4 Detroit 1830 WNEM-5, WPSX-3   |
| 10-14 2345 Tr WNEM-5, WJRT-12, CKNX-8  |   |
| 10-24 Tr 1935 WNDU-16, WSBT-22 So Bend WDHO-24 Toledo, WIMA-35 Lima                                | 11-7 Tr 2300 WKNX-25 Saginaw, WJRT-12 Flint, WXON-62 Detroit  |
| 10-26 Tr evening WNDU-16, Detroit Us   | 11-8 Es 2030 WESH-2 Daytona Beach 2100 WPBT-2 Miami, Fla. 2200 tent. WEAR-3 then opening died.            |
| 11-3, 6, 7 Weak Es in evenings   |   |

Hope to have lots (???) more for the next month. (Thanks for report Joel. RHB)



John Robertson, 6065 Gardner Line, Crowell, Mich. 48422 EST

9-17 Tr 1329 WITI-6 Milwaukee, Wis (260)	10-16 Es 1905 CJCH-5 Halifax, NS (1000)
9-19 Tr 2128 WDAU-2 Scranton (370)	1959 CBHT-3 Halifax
9-22 Tr 2202 WCIU-26 Chicago (270)	10-23 Tr 0526 WTVN-6 Columbus, Oh. (210)
2216 WSNS-44 Chicago	10-30 Tr 1930 WMSB-10 Onondaga, Mi. (110)
10-6 Tr 1900 WXXI-21 Rochester (240)	11-4 Tr 1300 WLUK-11 Green Bay, Wis. (290)
2200 CICA-19 Toronto (160)	1301 WBAY-2 Green Bay
	11-6 Tr 0830 WVTM-18 Milwaukee

(So...reception of Canada's first U moves West....with our Central DXers. Thanks John. RHB)

Jim Hayes, 9 Henry Street, Wilkes-Barre, Pa. 18702 EDST-EST

10-15 MS 0800 Un-Id Bursts	11-6 Es 1945-2020 ch. 2-4
10-16 Es 1915-2240 Strong opening	2000 WWL-4 New Orleans, La (1050)
ch. 2-6, no IDs. To NE. Canada and	11-8 Tr 1000 WHEN-5, KYW-3 Philly
11-8 Midwest U.S.	Es 1830 WEDU-3 Tampa, WJXT-4 Jackson-
10-24 Tr 2225 WHEN-5 Syracuse	ville
	1930 WKRG-5 Mobile, WDSU-6 New
	Orleans

"The November 8 Es opening was the June-July type here beginning after 1730, ending by mid evening. During its peak, 1900-2010, the FM band was full to the brim."

Frank Wheeler, 6589 Wattsburg Rd., Erie, Pa. 16509 EDST

10-16 Es 2055 KCMO-5 Kansas City (779)	10-17 Au on ch. 2-4 1800-1900 No IDs
2058 KCKT-2 Great Bend, Kn (1015)	

(Again...the opening of 10-16, though apparently induced by Aurora produced some interesting catches! Frank's log now stands at 228 received, 195 verified. RHB)

Ferdie Dombrowski, 1311 W. Madison St., Milwaukee, Wis. 53204

10-16 Es 1945-2200 WLBZ-2 Bangor, CBHT-3	10-19 Tr early evening, WGAD-8, WPBN-7.
CJCH-5 Halifax, WABI-5	Looked good but killed by all
Bangor. Tentatives WKTU-2	night rain.
Utica, CBFT-2 Montreal,	10-29 Tr after midnite WIRL-19, WAND-17
CJBR-3 Rimouski, WGBH-2	
Boston	

"I'm not watching much so hope I haven't missed anything good besides the European reception noted by Morrie and Bill Heusmann."

Bruce Metzner, 136 Gas Lite Square #6, Madison, Wisc. 53713 CDT-CST

10-11 Tr 1915 WAKR-23 Akron, Oh. (430)	10-16 Es 2100-2200 Strong but no IDs
1920 WUAB-43 Lorain, WJW-8,	10-24 Tr 1930 WUAB-43 Lorain
WKBF-61, WVIZ-25 Cleveland (405)	2030 All Detroit Us
10-12 Tr 0030 WWJ-4 Detroit (340)	11-5 Tr 0915 KDNL-30 St. Louis (320)
WKBD-50 Detroit	0930 WICS-20 Springfield, Il
	WJYY-14 Jacksonville

"Not much DX in October, afraid the off season is upon us. Re: the season, '69 was better for tropo with more frequent, more intense openings. Better skip this year!"







PART VI: DIPOLES AND FOLDED DIPOLES

WHAT THEY ARE

A dipole or folded dipole is an antenna cut to  $1/2$  wavelength of a desired frequency. It is, therefore, resonant at that frequency, allowing more electromagnetic pickup at that frequency than other frequencies. Both antennas, although different in impedance, deliver identical power to a receiver or transmitter.

The dipole is split at its electrical center for connection to 72 ohm transmission line (see Figure 1). Radiation is maximum at right angles to the axis. The dipole can be called dipole antenna, doublet, doublet antenna, half-wave dipole, or plain dipole.

The folded dipole, shown in Figure 2, has 300 ohm impedance. It also is split in center for connection to transmission line. Maximum radiation is also at right angles to the axis. This antenna obtains its name because conductor is bent, or folded, at the ends.

NOTE: Hereafter, the term dipole will be used for both plain and folded dipoles unless specified otherwise.

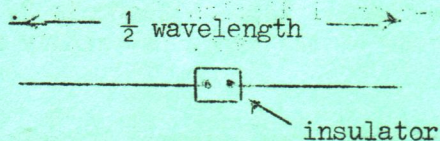


FIGURE 1

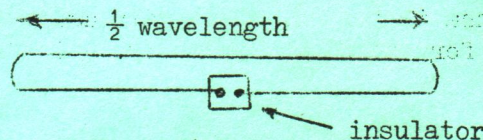


FIGURE 2

These antennas, especially folded dipoles, have been most popular for TV and FM receiving work. Because of their popularity, dipoles have become the basis for plotting gains of other antennas. That is, dipoles are used as a reference, assigned a "gain" of zero, and compared with other antennas to determine the gain or loss. Dipoles, therefore, are sometimes called "zero-gain" antennas, not because they can't increase the signal, but because they have been given a gain of zero only as a starting point. Indeed, many all-channel antennas on some channels have gains less than the cut-to-channel dipole!

NOTE: The isotropic source is sometimes used as a reference also, but not nearly as much as the dipole. However, gain of an isotropic source is about 20% less than a dipole. It is impossible, therefore, to make a correct judgment of antenna gain if a gain of X db over a "reference" antenna is claimed. Judging by the difference between actual antenna gain and that claimed for some all-channel antennas, I believe some manufacturers compare their antennas to neither a dipole nor an isotropic source, but rather a leg iron at San Quentin. In fact, some omit gain claims completely, but use equally ridiculous mileages in ads.

Dipoles can be made from any conductor: solid wire, tubing, transmission line. The physical length of conductor must be shortened by the velocity factor, however. Since several TV and antenna books (especially ARRL antenna handbook) give details for building dipoles, this will not be covered here.

USES FOR DXER

The dipole is an inexpensive method of receiving a frequency not covered by other antennas. Any 300 ohm line, for example, can be cut and mounted on a board for support. Aluminum tubing can be used if available, but support is difficult especially at low frequencies. Best use of a dipole is for snatching repolarized E skip. This was described in Techni/Corners and mentioned often in past VUDs. A 300 ohm dipole can be cut in minutes for the channel desired and mounted to suit. For E skip, it needn't be mounted high, since local tropo signals would just be that much stronger. A dipole cut from 300 ohm line and taped to a fishing pole stuck into the ground makes Morrie Goldman's neighbors wonder, but it has gotten E skip IDs that weren't seen on a horizontal antenna.



USES FOR BUILDER, EXPERIMENTER

With a home-brew signal meter and pads, it is easy to compare gains of antennas. The dipole should be compared with the "test antenna" at the same height and location and through identical lengths and type of transmission line. This is a little hard if test antenna is already mounted on the tower. However, if possible, ground-test antennas before installation.

Comparison is done by noting voltage differences on the S-meter between dipole and test antenna. If S-meter is not calibrated, you can add attenuation until both readings are identical (or close). For example, if voltage equals -1.0 with dipole connected, but -3.0 with test antenna connected (more gain), add attenuation until reading with test antenna is close to -1.0. The amount of attenuation equals gain of test antenna over the dipole.

NOTE: Comparing picture strength by using pads only (no S-meter) isn't an accurate test.

If a 2-13 antenna is tested, check gain against select cut-to-channel dipoles: Channels 2, 4, 6, 7, 10, & 13 for example. Typically, gain "rolls off" at ends of the band, especially for yagi types.

Experimenters can check actual gain against calculated gain of home-brew antennas by using the dipole/S-meter/attenuator method. Some DXers might be surprised to learn that they can build a four or five element yagi for a low band channel that will out-perform any all-channel VHF antenna on that frequency. Cost should be little or nothing, especially if you have access to junk tubing, old antennas, etc.

Next month, Part VII  
Conclusion

The diagram symbols for 72 and 300 ohm attenuators in the last column came through similar to DX in 1970: Badly. Circuits are redrawn with symbols below.

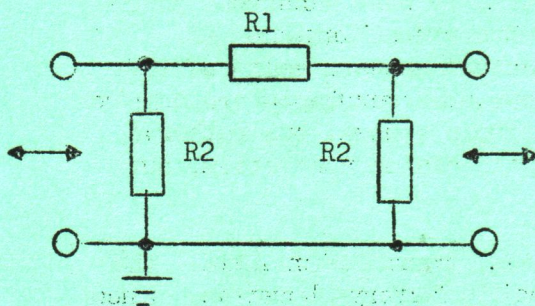


FIGURE 1. PAD FOR 72 OHM LINE

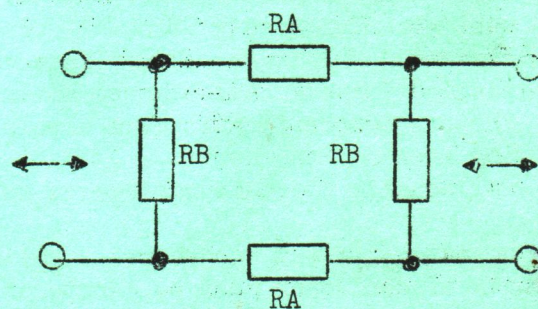


FIGURE 2. PAD FOR 300 OHM LINE

73's

Dave



FM DX

Edirot: Roger W. Winsor  
718 N. Fremont  
Valparaiso, IN  
46383

Fred McCormack

Des Lacs, North Dakota 58733

CST

There is not very much FM DX to report this month. On 10/16, KWOA 95.1 was heard by AS @0754. The evening of the 16th, there was Es from Texas which reached as high as the FM band for a few minutes, but nothing was identified. Aural skip was noted on 10/17 from 1753 to 2:40. It started as the usual reception from the east, MN and WI, but it switched southward around 2100 and KFAB 99.9 was logged. At 2114, I logged what I believe was KRNT 102.5. I didn't know if they were on, but this station had Hit Parade '70 programming, and the call sure sounded like KRNT. (It was Fred. See Bill Heusman rpt last month, RWW) They were alternating with KWLM in Willmar, MN later, as the southern stations faded and the eastern stations became stronger again. I also heard KGBI 100.7 Omaha @2130 with religious programs. The only other DX was a fair tropo opening on the morning of the 21st to MN w/stations from Mahkato, Willmar and Twin Cities logged, no new stations heard. Since 10/22, tropo conditions have been as bad as I have ever noted. Even the stations in Bismark at 120 miles which are usually good listening have not been reliable reception. 73. (Hope you caught the 11/8 Es. I missed it, as usual. RWW)

Pat Dyer 327 Solar Drive San Antonio, Texas 78227

CST

I finally gave up trying to get the 1949 Stewart Warner to perform decently. Recently I got a Wards model 62 1 combination AM/FM police portable. So far I have only been using its 18" whip for the antenna, but results have been fairly good on it. During the day in SA, we have some 10 local FM stations. More than 5 of them stay on AN as well. This really cuts down the frequencies that are clear enough for DXing. So far I have only been able to get tropo, but am eagerly awaiting the first Es opening, (which should occur in December). Other than locals, I've gotten: KHFI 98.3; KOKE 95.5; KTBC 93.7 all from Austin. KZFM 95.5, KIOU 96.5 Corpus Christi; KHCB 105.7, KODA 99.1, KXYZ 96.5, KBNO 93.7 all Houston; KNBT 92.1 New Braunfels; KIKK 95.7 Pasadena; KWED 105.3 Seguin. I realize that the distances involved here (all u/200 mi) are not astounding. Many of these can be heard almost any night. An outdoor antenna might help, but I'm afraid that it would increase the local signals too much and cause all sorts of spurious responses from them. Hope I'll have some better DX next.

Fred Nordquist 302 Sandra Lane No. Syracuse, NY 13212 EST

Not much DX to report except for one very unusual Es opening all the way up into the top of the FM band 11/8. RX is still a 1963 Admiral console, ant. all band LP 32' AGL, & an erratic xmsn line. Totals now at 200 logged, States 21 and DC, 2 prov, & 2 ctys. Rare autumn Es opening on 11/8 brought the following between 1855 and 2005 fadeout: WTVY 95.5 AL w/20 20 nx @1920, WGVL 105.5 FL SID "...Golden" 1921, WRTM 102.3 FL N 1922, WGNE 98.7 FL MoR mx 1923, WUSF 89.7 FL w/U of S. Fla. panel disc. 1930, WRBN 101.7 GA SID 1948, WPGA 100.9 GA req/NX tips 1951, WBIL 93.7 Ms MPX w/Ac nx 1955 2000, definite ID @2000. (changed this summer Fred. Took no time once granted RWW) WPEX 94.1 FL very strong sig. w/MPX MoR mx 1959. Let's hope for more of these unexpected openings this fall. Otherwise, no tropo since 9/17. A new FM station list is sure needed, w/VJ6 outdate by now. Will be flying to the inlaws in OK 11/25, so there goes the AJ15 savings, hi. Happy Holidays all.



Jim Hayes 9 Henty Street Wilkes Barre, Pennsylvania 18702 EST

10/9 Tropo 0730 WFRE 99.9 Frederick Md, ex WFMD. 10/16 UNID Passport radio on 98.1 from Canada or North US (CHFI?RWW). 10/24 tropo @1935 WVSC Somerset, Pa. 11/1 tropo WJAC 95.5 Pa., WXKW Allentown. 11/8 Es @1750 WIRB 96.9 Enterprise, AL, 1950 WELR 95.3 Roanoke, AL, another HP '70 on 92.3 (WCOV Jim.RWW), another HP '70 on 99.7 or 9 (Either WOOF 99.7 or WKRG 99.9, likely the latter RWW). The Es of 11/8 was so intensive I was DXing Fla. TV stations that lamented the air wave interference. The FM band was filled with 30 or 40 stations from Alabama area, but due to bad luck at catching IDs, I'm only sure of 2. Good DX. (Jim, it all takes time to DX on a profitable basis, especially at Es. Read over in this column what others got plus buy yourself an edition of Vane Jones handbook. \$2.75 to Mr. Vane A. Jones 6710 Hampton Drive EAST, Indianapolis, Ind. 46226. RWW)

Bill Heusman

Des Moines, Iowa

CST

This last month looked pretty dead, w/no FM tropo noted, then BANG, out of the blue comes solid Es opening of summertime quality! I feel pretty fortunate to have had to wait only 2 months for my first FM skip. For the most part, this was received with my low band TV antenna, which normally isn't too hot, except at the low end of the band, but performed very well with the skip. Around TV ID times, the antenna was reconnected to the TV, and yet very good results were had with the vertical dipole at those times. Following all new 1820 KCAW 93.3 TX, 1850 KTXN 92.1 TX; 1852 KFMK 97.9 Houston; 1902 XHEM 99.3(?) Chihuahua, Mex. VG w/clear ID (thanks!!) first Mexican; 1900 KTEP 88.5 U of TX at El Paso local like, list 10 watts; 1905 KTSM 99.9; 1908 KHFM 96.3 NM; 1915 KMEO 96.9 Az, 1916 KBUZ ~~XXXX~~ "KBUZ continuous mx" 104.7 Mesa, AZ; 1930 KITV 92.9 TX wx; 1930 KTBC 93.9 Austin, Poor; 1940 KOOL 94.5 Az; 1943 KRFM 95.5 Az w/song for Dr. Monroe and you folks up in Marshalltown, IA, who reported reception! Tried calling KRFM myself, but no answer! 1947 UNID 95.1 Yuma, Az, w/ local auto ad in "mini news on the quarter hour; (Bill, they're 25kw, but don't have any call letters yet. Hi hi RWW) 1951 KDEF 94.1 NM; 2002 KMND 93.3 Mesa, AZ; 2013 KFCA 91.5 Az w/remote from Az State fa ir, local like, list 57 watts; 2016 tent. KDOT 100.7 w/Az State U Fb report; 2030 KVWM 93.5 Az; 2030 KTAR 98.7 Phoenix w/HP '70. WHEW! Hope this is an indication of the upcoming winter skip "season". 21 new for 81 stns in 12 s tates and 2 countries. 73.

John Ebeling 9209 Vincent Ave. So. Bloccington, MN 55431 CST

11/8 7:35P KSET 94.7 TX, 7:43 KTFM 102.7 San Antonio, 7:53 KEXL 104.5 SA, 8:00 KGRD 103.9 Las Cruces, NM SCA 67kHz also, 8:15 KROB 99.9 Robstown, TX, 8:20 KIOU 96.5 Corpus Christi SCA also and KNBT 92.1 TX German programing. ID in GG and English. All of the above are new, many other Texans noted, but they have been received before. This was a rather unusual Es opening for November, being so late in the year. Wx for TX stated a storm had swept across the panhandle w/winds to 40mph. Reception was strong, but had more quick/erratic fades than normal Es. Believe I had another Las Cruces stn. @90.7, but couldn't get an ID, hrd Las Cruces mentioned, but 2 stns were alternating on 90.7, other probably KUT Austin, def. not WHIA. (KRWG 100kw John RWW). Other than the above, it has been real quiet around here. Got in on the good tropo of Sept 18/19, but not many new loggings. Locally KBEM 88.5 is now on RS 0820 to 1400 M/T, 1300 to 1930 Tues, Wed from 1300 to 2130, Thur only 1300 to 1400. All other times off the air. Also KTCR off @9PM lately.



# WESTERN TV DX

December 1970

Dennis Park Smith  
Music Department  
University of California  
Santa Barbara, California 93106  
Deadlines: 12th of each month

We have been in the off-season for Es, which means that when an opening does occur, it can be quite intense. Such was 8 November, which covered all low-band channels, FM broadcast, and higher. October Es was reported on dates 16 and 22, plus some early Nov on 7 and 8. There was a fair amount of meteor scatter noted on various dates. Tropo DX also got in some licks—east of the Rocky Mountains, of course—on several days in early October with more good UHF reception.

Frank E. Aden, Jr., 5805 Flamingo Drive, Boise, Idaho 83704 (Times MST)

We got a good Es opening here on November 8: 5:31 pm KFDX-3 Wichita Falls and KDFW-4 Dallas, 6:30 KWAB 4 Big Spring, 7-9 pm KROD-4 El Paso, all Texas. KROD had interference from XELN-4 Torreon, Coah. Receiver was Arvin 9-inch with conical antenna with pre-amp. 73.

Fred McCormack, Des Lacs, North Dakota 58733 (5-30 Oct) (CDT; CST 25 Oct on)

16 Es 1958 WSIL- 3 Harrisburg IL R970	21 Tr 0629 KCOO- 9 Aberdeen SD 3345R230
2029 WDCN- 2 Nashville TN 3033R120	0630 KDLO- 3 Florence SD 3043R310
2115 KDFW- 4 Dallas TX 3233R1090	0658 KXNE-19 Norfolk NE 5555N470
2117 KBTX- 3 Bryan TX 4445R1240	0905 KHNE-29 Hastings NE 2345N545
18 MS 0656 KTVO 3 Ottumwa (MO) R690	0945 KESD- 8 Brookings SD 3443N350
20 MS 0559 WCIA 3 Champaign IL R860	22 MS 0528 WLAC- 5 Nashville TN N1120
0628 WISC- 3 Madison WI R685	23 MS 0558 WCIA 3 Champaign IL R860
0713 KTVO 3 Ottumwa (MO) R690	27 MS 0605 WCIA 3 Champaign IL R860

October was generally dead tropwise, particularly after the 21st. The trop on 21st was an excellent example of how these signals can be limited to a sharply defined area. I had expected that KXNE-19 would be good reception whenever KMEG-14 was in. However, on all previous occasions when KMEG-14 was in, there was no trace of KXNE. I assumed that they were not on, but now I don't know, because when KXNE was coming in with the best picture I have seen on UHF, there was only a slight trace of signal on 14 even though KMEG is only about 60 miles from KXNE. 73 and good DX.

Bill Heusmann, 1527 24th, Des Moines, Iowa 50311 (4 Oct-8 Nov) (CDT; CST 25 Oct on)

Got my antennas on the roof around beginning of October, and am pretty well set with 10-element yagis on both high and low bands and an 8-bowtie UHF antenna. About 35 feet above ground. This month was marked by a surprising lack of tropo, which was made up for by amazing skip reception, both Es and F2.

16 Es 1930 WKTU 2 Utica NY (audio, hvy NETCCI)	until 1058. CCI on both increased as
UnID- 3, WSYR-Syracuse????	strength dropped. At 0955 strongest of
26 Tr 1155 KUSD- 2 Vermillion SD (sdETV, 4144)	BBC xmtrs received seemed to leave air
29 F2 0950 ORTF-F2 France (fair, fadey)	for about 3 seconds. Am hoping BBC en-
(Next 2 days in Steger but for convenience	gineers can tell me which for pos. ID.
might as well include them here.)	

31 F2 1048 ORTF-F2 France (fair, fadey)	8 Es 1800 KPRC- 2 Houston TX	VAFI
BBC1-B1 Britain (poor at first,	KATC 3 Lafayette LA	4443
better after ORTF fade-out)	1850 KGBT- 4 Harlingen TX	5434
N1 F2 1011 ORTF-F2 (good at tune-in, first	1900 KTVK 3 Phoenix AZ	5432
mistook for SW harmonic)	KOB - 4 NM (audioID, hvyCCI)	5544
1046 BBC1-B1 (poor, in and out)	1930 KUAT 6 AZ (TPo/cbars & s/on)	5544

(Back in Des Moines:)	2000 KOAI? 2 AZ (tent, Sp.audio 2&3)	
2 F2 0935 Both ORTF and BBC1 with very	2100 KMID- 2 TX (w/Sp.audio CCI)	4442
good signals. Moderate CCI on both but by	KVOA- 4 Tucson AZ	3443
0955 break BBC almost local quality. BBC	2335 UnIDs-2 MGriffin & Donovan's Reef	
finally faded out c.1018, ORTF stayed in	2400 WTIC- 3 CT (IDsuper on movie)	5544

On KPRC-2's weather show they mentioned that one's TV reception might be affected by the weather (sic). I called them to let them know that I was receiving them all right and was told that they had also received a call from Lansing MI (Roger Brown??). For the record, this was also my first FM Es, with excellent TX, NM and AZ reception right up to 104.7, KBUZ. 73 and good DX.



Marv Garber, 2539 Kessler Blvd, Lincoln, Nebraska 68502 (8Oct-8Nov) (CDT; CST 25Oct on)  
Oct 16 Es east up to ch.6 briefly: WMAR-2 Balt.MD (1035mi), WRC-4 & WTTG 5 (1030)  
 Wash.DC. Lasted from 1945 to 2045 when I had to leave. WRC-4 the only new one, darn!  
Nov 8 Very intense Es open to SE, SW, and later to east. Started 1745 and lasted  
 till 2115. This was strongest opening since 7/6! KATC-3 Lafayette LA (790 mi) KTVK-3  
 Phoenix AZ (1000) WTVY 4 Dothan AL (895) WKRG-5 Mobile AL (830) KPHO-5 Phoenix (1005)  
 KUAT 6 Tucson AZ (1005). 5 out of 6 new, not bad! Skip returned weakly 2345 & lasted  
 to about 0020 with WMAR-2 & WGR-2 the only ones IDed. Though I'm not active on FM, I  
 logged FM skip from CA & AZ btw 1930-2000. This was really an excellent Es session!  
 Hope we get some more dandies like this during the rest of Nov-Dec!

I've really got to start saving for UHF gear after seeing what Cooper & McCormack  
 logged in Nov WUD. Congrats on those really outstanding catches, you two! I guess  
 UHF is really where the action is! At present, I'm waiting for two Finco HB antennas  
 to arrive. Hopefully I'll have them up 50' by the time you read this. Glenn Hauser,  
 check ch.11 records if KHSD-11 seen more than apx 450 mi; I may have record. 73s.

Pat Dyer, 326 Solar Drive, San Antonio, Texas 78227 (9 Oct - 3 Nov) (CST)  
 Receiver: 1968 color GJ721W. Antenna: Wards 11-el hi-low VHF, 15' up, fix-aimed SE.

022 Es 1845 to 1930 unid-2 Mexico or El Salvador  
 N7 Es 1735 to 1930 unid-2,3,4,5,6 Mexico, Guatemala, et al. Local 4 almost buried by CCI  
 Sorry no ID's this time. Nov 8 produced one of most tremendous 50-MHz openings  
 I've ever seen. Hawaii made it on triple-hop here and maybe 4-hop Es to Ohio & W.Va.  
 I hope somebody got something on the TV. I was too busy on 6 meters. Tucson amateurs  
 said their local 4 was covered by CCI there and that ch.6 was roaring in. A check of  
 the FM band here astounded me with MUF through 108 MHz. I imagine the CCI on the TV  
 channels would have made any ID's next to impossible, anyway. Great chance for high-  
 band Es since 144 MHz was reported open from Minnesota to Texas and Oklahoma.

Nov 7 for California and Arizona had brought 50-MHz Hawaii on F2. Maybe some  
 TV DX came with it there. 73, WA5IYX/5.

Glen R. Neal, 1005 N. 5th, Sayre, Oklahoma 73662 (October) (CDT; CST after 17th)

First week of October provided viewers in western Oklahoma with some spectacular  
 receptions tropo-wise. We'll probably not be treated to another opening like this  
 one for quite some time. Tropo the rest of the month never reached 400 miles, how-  
 ever. Es was non-existent, but MS was very good on many occasions.

Oct 1 tropo 0500-0900 good to 350 mi all directions. 2100+ returning.

Oct 2 tropo 0500-0900 to east very good, WKY-4 KETA 13 OK City both 5555R130,  
 unid ch 77? translates KSWO-7 Lawton OK, to west with good A, fair V.  
 Also chs 76, 78, 80, 81? (KVII-7 Amarillo), and 82 fair, all unid.

Oct 6 tropo, arose 0840, to Jr. College @ 0850, a DXette. I only had time to  
 notice that I was missing the best morning of this year! There was an extreme duct-  
 ing situation; stations 20° apart were at signal opposites. KCKT-2 KS, KFDX-3 TX,  
 WKY-4 OK, KGNC-4 TX, KOCO-5 OK, KAUZ-6 TX, KSWO-7 OK, KVII-7 TX, KAYS-7 HayesKS(new),  
 KFDO-8 OK, KWTW-9 OK, KRBC-9 TX, KLOE-10 KS, KFDA-10 TX, KAKE-10 KS, KTXS-12 TX, and  
 KFDW-12 NM all perfect. Also KHAS-5 KS good, KPTS 8 KS (new) good, KGIN-11 NE good,  
 and KHOL-13 NE very good (new). Around 55 VHF TV stations were received in 10-  
 minutes. Had I gotten up at 0500 no telling what would have happened.

Oct 7 tropo up @ 0530 to be sure. This AM not as good, but still great: WOAI-4 TX  
 good, KRIS-6 Corpus Christi new 730 mi along w/ KZTV 10. KTBC-7 TX very good, KENS-5 &  
 KSAT-12 TX very good, WIBW-13 KS fair, 78(KGNC-4), 80 & 82 fair. Many others excellent.

Oct 11-12-13 AM tropo good. Several good MS IDs.

Oct 19 0830 tropo good: KWTX-10 TX fair.

Oct 24 2300-0000 KOCO-5 vy intense, KSWO-7 & WKY-4 also perf. KTVH 12 KS vy good.

Right now my TV is apart, getting an overhaul, and I am ordering a completely  
 new antenna system. Instead of my present VHF rotatable and UHF fixed-west, I will  
 have a VHF-UHF antenna rotatable at about 25 feet, using 75-ohm coax. I have still not  
 made up my mind about preamplifiers and post-amps, however, but I will definitely  
 have everything ready by January 1, 1971. I plan not to miss any DX next year.

I am now employed at KFDO-TV ch 8 near Sayre, and would be happy to answer any  
 questions you may have about KFDO television. Send them to the above address.



# EASTERN TV

Dave Pomeroy  
KCSB-TV  
1211 McGee St  
Kansas City, Mo.  
64106

Deadline: December 4

The November column stated that there would be no December column, however, I have received a couple of late reports (or early ones, maybe) and I don't want them to be delayed until January. So, here's the New York DX column for December 1970.

Albert J. Kopec, RD 1, Himrod, New York 14842 (EDT)  
7-4 Es 1300 KARK-4 Little Rk. 7-15 1830 WTVY-4 Dothan, AL  
1500 WESH-2 Daytona Beach, FL 1930 WCIV-4 Charleston  
1600 WTVJ-4 Miami (842) 7-18 1902 KQTV-2 St. Joseph  
1800 WDBO-6 Orlando 1930 WDAF-4 Kansas City  
1800 WJXT-4 Jacksonville, FL 1930 KVOO-2 Tulsa, OK  
#119 1930 WEDU-3 Tampa, FL 8-10 1800 CJON-4 ?  
#120 2000 WCIX-6 Miami, FL 8-19 1800 KVOO-2 (1075)  
2030 WTVY-4 Dothan, AL 1830 KETS-2 Little Rk  
2200 WPBT-2 Miami, FL 10-16 1900 CBHT-3 Halifax, NS  
7-14 2200 WESH-2 (842) 1930 CJCB-4 Sydney, NS  
7-15 1800 WUSN-2 Charleston (Total now 122)  
(Albert uses a 1962 Hoffman and a Magnavox portable) Appreciate  
the neatness of your report, Albert. dp)

Robert Seybold, 134 Seymour St., Fredonia, New York (EDT)  
9-17 Tr VHF to 800 miles  
to UHF to 600 miles  
9-21 most Illinois, Ohio, Kentucky, Pennsylvania, New York,  
West Virginia, UHF's and VHF's with over 150 seen in  
two days and over 130 on 3 days. New loggings include  
the following:

WTWO-2 Terre Haute, IN WQAD-8 Moline, IL  
WTOM-4 Cheboggan, MICH WNCT-9 Greenville, SC  
WSPA-7 Spartansburg, SC WAST-13 Albany, NY  
WVUT-22 Vincennes, IN WKAS-25 Ashland, KY  
WHRO-15 WTVK-26 WRFT-27 WVER-28 WRLH-31  
WETK-33 WXPO-50 WCVW-57 Other unusual loggings  
include: CBFT-2 WCBS-2 WMAR-2 WBBM-2 WTIC-3  
WAVE-3 WTAR-3 WBZ-4. WNBC-4 WTMJ-4 WTTG-5  
WNEW-5 WRAL-5 (first time via Tr) WDTV-5 CKSO-5  
WMAQ-5 WTEV-6 WTVR-6 WRGB-6 WLS-7 WMAL-7  
WNAC-7 WABC-7 WDBJ-7 WHNC-8 KRNT-8 WGAL-8  
WXEX-8 WTOP-9 WCPO-9 WGN-9 WJAR-10 WCAU-10  
WHAS-11 WBAL-11 WKRC-12 WJRT-12 WHYY-12 CFCF-12  
WLWI-13 WJZ-13 WZZM-13 WJYJ-14 WMUB-14 WCMU-14  
WICD-15 WKPC-15 WLYH-15 WKRT-16 WTVO-17 WMHT-15  
WPHL-17 WLEX-18 WXIX-19 WCDC-19 WDCA-20 WATR-20  
WUTR-20 WUOB-20 WHP-21 WKEF-22 WWLP-22 WVNY-22  
WMET-24 WEEK-25 WETA-26 WCIU-26 WKYT-27 WTPA-27  
WTAF-29. WKSO-29 WHNB-30 WFLD-32 WLKY-32 WRLP-32  
WITF-33 WOSU-34 WKMR-38 WSBK-38 WLVT-39 WHYH-40  
WXTV-41 WVTA-41 WSNS-44 WKBS-48 WCET-48 WEDW-49  
WEKW-52 WKON-52 WEDN-53 WKBG-56 WBLG-62 WMPB-67  
WBGU-76 Bowling Green, OH (Total now near 495)



# DX MAILBAG

As we come down the home stretch for another year it seems appropriate to reflect upon the events of the past year and the past 3 $\frac{1}{2}$  years as well. Your TV-FM DX club continues to grow in size and strength as well as in worldwide respect. From a rather sketchy beginning WTFDA has blossomed forth into an organization with members all over the world and a monthly bulletin that has something of worth for almost every DXer. The compliments continue to come in, so it appears our mission is being accomplished. But, please keep up the support folks - without it we can also fall among the ranks of the many clubs which have faltered!

Appropriate remarks to footnote the above paragraph come from John Parillo, our old pal who adds his comments on another year past. "Again during the past year, it was a job well done by both the workers and editors of the VUD. It's great to see what others are receiving from their reports in the various columns, especially when there are no other DXers in the surrounding area. Keep up the mailbag section; it's interesting to see what others have to say."

"The No. 1 DX club in the world" is what Dave Shapiro terms WTFDA. His optimistic analysis is accompanied by a note which indicates he recently added a Motorola AM-FM rx with a vertical antenna. His comment on the new chassis -- "fantastic". Congrats to a good FM fan who is certainly one of our most loyal followers.

Enough patting on the back you say. All right, we'll step down from Cloud Nine and find out how some of the other steady members are faring.

Jerry Pulice, whose unique tuning device was a hit at the recent convention, reflects on his past two years with the club as he notes "Again I must thank you fellows for sparking my interest back in '68, as I was losing interest with the poor equipment I was using...when I saw that others were having more success I got to work and boned up on VHF techniques. The latest results?" The latest results, to summarize Jerry's remarks, have been quite outstanding, especially when utilizing some of the techniques and equipment described by our tech men - Dave Janowiak and Bob Cooper.

Sad news from the south and Ron Le Blanc. Ron says "This is the worst year since I have been DXing. For ...weeks we have had nothing but rain and thunder almost every day. I have logged only 12 new stations this year." (seems as though several others would agree with you Ron - mostly in our Northern states tho; most of our southerners have had much better luck).

Our Western DX editor Dennis Smith indicates he's been in touch with former AIPAer Don Voegele. Don and his brother were both active on the TV bands many years back and were frequent visitors at DX conventions. Apparently Don and his wife are headed for Australia to make a home. It could be that we'll be having DX reports in the Digest from yet another continent if Don decides to DX from the "land down under".

Some short notes this month. Don Ruland has moved again; this time to 2714 Stetson Lane, Houston, Tex. 77035. Our thanks to Nel Wilson for a \$5 donation to the mimeo fund -- it came at a welcome time!

See you all back at the mailbag next month. 73's.



FCC TV

GARY A. OLSON  
1203 KENTON RD.  
DEERFIELD, ILL. 60015

STATIONS OPERATING (AS OF OCT. 1, 1970)

UHF ETV	111
UHF Com	182
VHF ETV	84
VHF Com	512

Total Authorized Stations On The Air 889

New Stations Reported On The Air:

- \*WSWP-TV, ch. 9, Grandview, W.Va., - began operation Oct. 1970
- \*WAPT (TV) ch. 16, Jackson, Miss., began operation Oct. 1970

New Target Dates Reported:

- \*ch. 34, South Bend, Indiana, mid 1971

Miscellaneous Changes:

- WSFD-TV, ch. 31, Marion, Ind., - license forfeited, delete call letters
- ch. 16, Dubuque, Ia. - application for station dismissed
- ch. 38, St. Paul, Minn. (Hubbard Broadcasting) application for station dismissed
- \*KQEC (TV) ch. 60, San Francisco, Calif. - cancel CP, delete call letters
- WOTG-TV, ch. 51, Ocala, Fla., - cancel CP, delete call letters
- WMKG (TV) ch. 54, Muskegon, Mich., - license forfeited - delete call letters

FCC COMPLETED ACTION

New Grants:

Kenosha, Wis., ch. 55 (Wisconsin TV Corp.) 239 kw.

Other Changes Allowed:

- WVNY-TV, ch. 22, Burlington, Vt., - ERP to 501 kw.
- \*KERA-TV, ch. 13, Dallas, Tex., - ERP to 288 kw.
- WSBA-TV, ch. 43, York, Pa., - ERP to 1000 kw.
- KYTV-TV, ch. 3, Springfield, Mo., - ERP to 95.5 kw.
- WKBG-TV, ch. 56, Boston, Mass., - ERP to 1660 kw.
- WWOM-TV, ch. 26, New Orleans, La., - ERP to 501 kw.
- WDCA-TV, ch. 20, Washington, D.C., - ERP to 3090 kw.
- KDUH-TV, ch. 4, Hay Springs, Neb. - ant to 1961'
- KBSC-TV, ch. 52, Corona, Calif., ERP to 447 kw.
- KMSP-TV, ch. 9, Minneapolis, Minn. - ERP to 316 kw -ant.1471'
- WREP-TV, ch. 25, Boston, Mass., ERP to 351.6 kw.
- KBLU-TV, ch. 13, Yuma, Ariz. - ERP to 120 kw.
- KVFD (TV) ch. 21, Fort Dodge, Ia. - ERP to 414 kw. - ant.1206'
- WBFF (TV) ch. 45, Baltimore, Md. - ERP to 1350 kw. - ant.706'
- \*WNJT (TV) ch. 52, Trenton, NJ - ERP to 813 kw.
- WDXR-TV, ch. 29, Paducah, Ky. - ERP to 759 kw.
- KHMA-TV, ch. 11, Houma, La. - ERP to 115 kw.
- WENS (TV) ch. 22, Pittsburgh, Pa. - ERP to 1648 kw.

ACTION APPLIED FOR OR REQUESTED

Applications For New Stations:

- \*Portsmouth, O., ch. 42 (Ohio ETV Comm.) 563 kw.
- \*Biloxi, Miss., ch. 19 (Miss ETV Auth.) 1480 kw.
- \*Booneville, Miss., ch. 18 (Miss ETV Auth.) 712 kw.
- \*Bude, Miss., ch. 17 (Miss ETV Auth.) 660 kw.
- \*Greenwood, Miss., ch. 23 (Miss ETV Auth.) 652 kw.
- \*Meridian, Miss., ch. 14 (Miss ETV Auth.) 663 kw.
- \*Senatobia, Miss., ch. 22 (Miss ETV Auth.) 1075 kw.



CCI

Bill Heusmann  
1527 24th Street  
Des Moines, Iowa  
50311

We start with a report which your editor failed to get to HQ in time for last month's issue; that of Jerry Pulice (143 Gibson Av., Sta

Island, NY 10308). Jerry mentions that Paul Luchter's reception of 'Gilligan's Island' on channel 6 was WTEV, as suspected. Jerry believes that Paul's educational station on channel 2 was Es, not tropo, as suspected.

Jerry has some unIDs, as follows:

(EDT)

Thu. Sept 17 0755 Ch. 7, tropo. TP as sketched at right. Background on TP was basically grey. Station was Ø offset with either WCAU (Ø), or WFBG (-). WIIC-11, WJW-8, WSPD-13, WFBG-10, and WJAC-6 all in. Jerry wonders whether this unID is Canadian.



Jerry also noted a real mystery, dated 10/7/70, but he notes that he has noticed it all year. At 06:50, with WCBS-2 already in programming, WCBS's TP was noted on channel 21! At 07:00 they switched to CBS News, // to WCBS-2, and at 07:30 gave the WCBS-2 ID. Jerry wonders whether this is some sort of translator. He could make out no sign of an AM morse code ID at 07:30.

(I seem to recall hearing something about a possible system of translators to serve the NYC area while the World Trade Center louses up reception until the local transmitters can be transferred there. This is the only thing I can suggest. Have you checked with WCBS? bh) (HQ NOTE: CUD BE JUST AN IMAGE; LOTS OF IMAGES HERE.)

Pat Dyer (327 Solar Drive, San Antonio, TX, 78227) (CST)

Mon. Aug. 10 05:30 Ch. 10, tropo. Morning religious message, followed by 'Ozarkland Jubilee', suspect El Dorado, Arkansas.

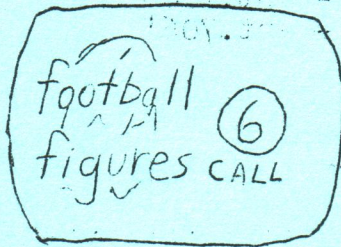
Thu. Aug. 13 04:50 Ch. 4, MS. TP (type unknown) with vertically elongated white rectangle in center with call and other info in dark. Partial call: ??RL-TV. Doubt Reno on at this hour, but might have been.

John Parillo (400 S. Market Street, Girard, OH, 44420) (EDT)

Sat. Oct. 17 00:50 Ch. 2, Es, direction, SW. 'Channel 2 Movie' slide, movie 'Bohwani Junction'. 01:03, Prell spot, Zest spot, special offer for Douglas(?), Sinclair spot, Kensington Wigs spot, back to movie. 01:18: 'The Channel 2 Movie' slide, Banquet TV dinner spot, Dixie cup spot, Underwood corned beef spot, 01:21 movie continues. Station faded out at 01:30 after movie slide again.

Marv Garber (2539 Kessler Blvd., Lincoln, NB 68502) (CST?)

Sun. Nov. 8 20:28 on. Ch. 6, Es. Several commercials 20:28-20:30, none of them local. ID at 20:31 looked like one sketched at left. Audio was good during ID and all that was said was 'Your sports station, TV-6'. Immediately preceding the ID, they had a promo for ABC's Monday night football game. At 20:32 they had 2 more non-local commercials until 20:34 when they went back to the movie they were showing. This was a non-net movie. KUAT-6 was causing some CCI, but this station seemed to be coming from a more westerly direction.



Jim Hayes (9 Henry St., Wilkes-Barre, PA 18702) Fri, Oct. 16, 21:00 on. Ch. 2, Es. Jim received a show-card picturing a modern looking man holding a staff in Biblical backdrop. He was not sure of clothing. It was on for 10 to 15 minutes. During that time it was fading in and out thru another unIDed station.

(CONTINUED...ON THE BOTTOM OF FCC/FM PAGE #2...SEE YOU THERE.)



Charles A. Dobbins  
12851 Longacre  
Detroit, Michigan 48227

# FM FCC

## NEW STATIONS FINAL ACTIONS

Beckley, W. VA. 103.7 50 kw. AAT 360 ft.	Marion, Ill. 107.1 3 kw. AAT 153 ft. req WDDD
*Bellevue, Wn. 89.3 10 w. AAT 65 ft. req. *KASB	McAllen, Tx. 96.9 77 kw. AAT 325 ft. gtd KVMV
Canton, NJ. 101.7 3 kw. AAT 300 ft.	Morrow, O. 88.1 10 w. AAT 200 ft.
Carmel, Ca. 101.7 62.5 w. AAT 591 ft.	Ocean Springs, Miss. 103.1 3 kw. AAT 295 ft.
Chamute, Kn. 98.3 3 kw. AAT 162 ft.	Perry, Ia. 104.9 3 kw. AAT 298 ft. KRMH
Clinton, Ia. 97.7 3 kw. AAT 300 ft. req. KCLN	San Marcos, Tx. 103.7 90.5 kw. AAT 600 ft. req
*Concord, Mass. 88.3 10w.	*Seattle, Wn. 89.5 10w. req *KNHC
Decatur, Ill. 89.9 10w. AAT 95 ft. req WJMU	Tylertown, Miss. 97.7 3 kw. AAT 145 ft.
Eagle Pass, Tx. 92.7 3 kw. AAT 172 ft. req KILN	*Vincennes, Ind. 91.3 100w. AAT 515 ft.
*Henniker, NH. 91.7 10 w. req *WNEC	*Walla Walla, Wn. 88.9 10w. AAT 58 ft. req KWCW

## INITIAL APPLICATIONS

Albion, Mi. Family Radio Evangelistic Corp. seeks 96.7 , 3 kw. AAT 300 ft.	
Anacosta, Mt. Magicland Bdcstg Inc. seeks 97.7 210 w. AAT 950 ft.	
Benton, Ill. Rend Lake Bdcstg Co. seeks 98.3 855w. AAT 150 ft.	
Cedar Rapids, Ia. Buddy Tucker Evangelistic Assoc. Inc. seeks 104.5 100 kw. AAT 552 ft.	
Colby, Kn. Golden Plains Inc. seeks 100.3 100 kw. AAT 614 ft.	
Colby, Kn. Colby Comm. College seeks 88.9 3 kw. AAT 261.4 ft.	
Columbia, Mo. Contemporary Media Inc. seeks 98.3 3 kw. AAT 84 ft.	
Columbia, SC. Frank D. Ward Inc. seeks 93.5 3 kw. AAT 210 ft.	
Durant, OK. Electronics Tech. Dept of Southeastern St. College seeks 91.9 10w. AAT 330 ft.	
Fort Smith, Ark. Magamedia seeks 93.7 100 kw. AAT 306 ft.	
Hillsdale, Mi. Flynn Enterprises Inc. seeks 92.1 3 kw. AAT 103 ft.	.....
Medford, Mass. Tufts University seeks 91.5 10 kw. AAT 75 ft.	.Commercial FM
Murphysboro, Ill. WIML seeks 104.9 3 kw. AAT 120 ft.	.On air - 2,157
Muskogee, Ok. K Triple M Corp. seeks 106.9 96.6 kw. AAT 124 ft.	.Not on air (CP) 131.
Oakdale, La. Louisiana Bdcstg Serv. seeks 104.9 1.5 kw. AAT 230 ft.	.Total auth. - 2,288.
Rantoul, Ill. Regional Radio Serv. seeks 95.3 3 kw. AAT 177 ft.	.Educational FM
*Rapid City, SD South Dakota Schobl. of Mines seeks 88.1 10w. AAT 100 ft.	.On air - 427
Sardis, Miss. WSTR Radio Inc. seeks 95.9 700 w. AAT 180 ft.	.Not on air (CP) 44
Springvale, Me. Masson College seeks 91.1 10w. AAT -81 ft.	.Total auth. - 471
Troy, Ala. Troy Radio Inc. seeks 104.9 3 kw. AAT 120 ft.	.....
Tulsa, Ok. American Christian College Inc. seeks 98.5 100 kw. AAT 582.5 ft.	
Venice, Fla. Venice-Nokomis Bdcstg Co. seeks 92.1 3 kw. AAT 300 ft.	
West Frankfurt, Ill. Pyramid Radio Bdcstg and TV Inc. seeks 106.3 3 kw. AAT 165 ft.	

## CALL LETTER APPLICATIONS

Freeport, Ill. Freeport Bdcstg Co; req WACI(FM)	Scobey, Mt. Prairie Comm. Inc. req KCGM(FM)
Gulfport, Miss. Charles H. Cooper req WOSM(FM)	Sioux Falls, SD. Sioux Falls College req *KCF5(FM)
Porterville, Ca. Gateway bdcsters Inc. req KIOO(FM)	Sonora, Ca. Herold Bdcstg Co. req KVML-FM
Pulaski, Tn. SBG Enterprises Inc. req WMGL(FM)	Stockton, Ca. San Joaquin Delta College req *KSJG
Sallisaw, Ca. Big Basin Bdcsters req KRBB-FM	Yuma, Az. Lan-Jol Enterprises req KALJ(FM)
Santa Rosa, Ca. Redwood Stereocasters req KZST(FM)	

## CALL LETTER ACTIONS

Fremont, Mi. Stuart Noordyk gtd WSHN-FM	Mt. Pleasant, Ia. Pleasant Bdcstg Co. gtd KILJ(FM)
Granada, Miss. Pemberton Bdcstg Co. gtd WRIL(FM)	Phenix City, Ala. Chattahoochee Bdcstg Co.
Indianapolis, Ind. Metro School Dist. gtd *WEDM(FM)	gtd WLXE(FM)
Lima, O. Riggs-Bussard Bdcstg Co. gtd WLSR(FM)	Port Huron, Mi. St Clair Comm. College gtd WSGR-FM
Marian, SC. Swamp Fox Bdcstg Co. gtd WATP-FM	Salem, Mo. Ozark Bdcstg Co. gtd KETU(FM) KAPX(FM)
Maryville, Mo. Northwest Mo. St. Coll. gtd *KXCV(FM)	San Clemente, Ca. El Camino Bdcstg Co. gtd
Mountain Home, Ark. Mountain Home Bdcstg Co. gtd KTLO-FM	Thompson, Ga. Bethany Bdcstg Co. gtd
	WTHO-FM

## AUTHORIZED STARTS

Algona Ia. KGLA-FM 92.7 2.75 kw. AAT 195 ft.	Fort Wayne, Ind. WCMX(FM) 101.7 3 kw. AAT 300 ft.
Pangor, Me. *WMEH-FM 90.9 13.5 kw. AAT 850 ft.	Hampton, SC WJBW-FM 103.1 3 kw. AAT 140 ft.
Cincinnati, O. WVXU-FM 91.7 11w. AAT 350 ft.	Hardinsburg, Ky. WHIC-FM 94.3 3 kw. AAT 290 ft.
Dewitt, Ark. KDEW-FM 96.7 3 kw. AAT 145 ft.	Hastings, Nb. *KCNT(FM) 88.1 10w.
Dover, NH. WDNH(FM) 97.5 50 kw. AAT 290 ft.	Humboldt, Ia. KHBT(FM) 97.7 3 kw. AAT 290 ft.
Edwardsville, Ill. *WSIE(FM) 99.7 50 kw. AAT 500 ft.	Hyde Pk, NY WHVW-FM 97.7 3 kw. AAT 300 ft.



Jerome, Ida. KFMA(FM) 92.7 3 kw. AAT 110 ft. Mineral Wells, Tx. KMTW(FM) 95.9 3 kw. AAT 295 ft. Kansas City, Mo. \*KLJC(FM) 88.5 510w. AAT 175 ft. Minneapolis, Mn. \*KBEM-FM 88.5 2.15 kw. 370 ft. Las Cruces, NM. \*KRWG(FM) 90.7 100 kw. AAT 420 ft. Norman, Ok. KGOU(FM) 106.3 3 kw. AAT 150 ft. Linton, Ind. WBTO-FM 93.5 3 kw. AAT 240 ft. Punta Gorda, Fla. WCCF-FM 92.7 3 kw. AAT 150 ft. Livingston, Tx. KETX-FM 92.1 3 kw. AAT 145 ft. River Falls, Wis. WEVR-FM 106.3 3 kw. AAT 106 ft. Lynchburg, Va. WLLI-FM 98.3 3 kw. AAT 240 ft. Seguin, Tx. KWED-FM 105.3 38 kw. AAT 130 ft. Magnolia, Ark. KFMV(FM) 107.9 53 kw. AAT 290 ft. Slidell, La. WVSL-FM 105.3 59 kw. AAT 350 ft. Manistee, Mi. WMTE-FM 97.7 3 kw. AAT 155 ft. Smithville, Tn. WJLE-FM 101.7 3 kw. AAT 195 ft. Marie, SC. WATP-FM 94.3 3 kw. AAT 190 ft. Tampa, Fla. WLCY-FM 94.9 100 kw. AAT 390 ft. Menomonie, Wis. \*WVSS(FM) 89.5 10w. Tuscola, Ill. WITT(FM) 93.5 3 kw. AAT 115 ft.

EXISTING FM STATIONS

CALL LETTER APPLICATIONS

KUZZ-FM Chaparral Bdcstg Inc. Bakersfield, Ca. req KZIN-FM WABC-FM Amer. Bdcstg Co. NY, NY. req WYSL-FM McLendon Corp. Buffalo, NY req WPHD(FM) WPAC-FM W.B.L.I. Inc. Patchogue, NY. req WBLI-FM WCHA-FM Chambersburg Bdcstg Co. Chambersburg, Pa. req WCHM(FM) WLS-FM Amer. Bdcstg Co. Chicago, Ill. req WXAI-FM WOAL(FM) Unit. Art. Bdcstr Phila, Pa. req WWSH WZIP-FM Margareta S. Sudbrink Cincinnati, O. req WWEZ(FM) KQV-FM KQV Inc. Pitt., Pa. req WDVE-FM WNOB(FM) Northern Ohio Bdcstg Co. Cleveland, O. req WELM-FM WXYZ-FM WXYZ Inc. Detroit, Mi. req WDAI-FM KEUB-FM Phil Doersam Reno, Nv. req KGLR(FM) WWGO-FM Burbach Bdcstg Co. Erie, Pa. req WCCK(FM) KGO-FM Amer Bdcstg Co. San Fran. req KSFX-FM KCNA(FM) Pennino Music Co. Henderson, Nv. req KLVN(FM) KXYZ-FM KXYZ Inc. Houston, Tx. req KAUM-FM WRSV(FM) R. Skokie Valley Inc. Skokie, Ill. req WCLR(F) KABC-FM Amer. Bdcstg Co. Los Angeles, Ca. req KLIA-FM KTWD(FM) Bellevue Bdcstr Spokane, Wn. req WWPB(FM) Robert W. Sudbrink Miami, Fla. req WLYF(FM) KEZE-FM WKAT-FM SJR Comm. Inc. Miami Beach, Fla. req WTMI-FM WTOS-FM Margareta S. Sudbrink Wauwautosa, Wis. req WEZW(FM)

CALL LETTER ACTION

WQDC(FM) Habco Inc. Midland, Mi. gtd WSVC(FM) \*KEBS-FM San Diego St. Coll. San Diego, Ca. gtd\*KPBS-FM

CHANGES TO ALREADY EXISTING STATIONS

WDHF(FM) Chicago chge xmtr loc., new ant. ERP to 4.5 kw. KWGO-FM Abernathy, Tx. chge loc to Lubbock, Tx. dec ERP to 44 kw. ant hgt. up to 740 ft. KBFM(FM) Lubbock, Tx. chge loc new ant ERP to 1.8 kw. ant hgt. to 540 ft. WJMD(FM) Bethesda, Md. gtd CP to use former main xmtr as aux. xmtr ERP to 27.6 kw. WLAN-FM Lancaster, Pa. gtd CP for new xmtr and ant sys. ERP to 50 kw. ant hgt. to 76 ft. KVWO-FM Cheyenne, WY. gtd CP for new xmtr and new ant. ERP to 3 kw. ant hgt. to 79 ft. KSDO-FM San Diego, Ca. gtd CP for new ant. and new xmtr ERP to 36 kw. ant hgt. to 580 ft. WDAR-FM Darlington, SC gtd CP for new ant. sys. ant. hgt. to 195 ft. WIVA-FM Aguadilla, PR. gtd CP for new xmtr and ant. sys. ERP to 15 kw. ant. hgt. to 390 ft. MERRY CHRISTMAS AND HAPPY NEW YEAR TO ONE AND ALL --- CHUCK

C.C.I. Jim Hayes continued:

Fri. Oct. 16 21:00 Ch. 2, Es. Call slide as sketched at right appeared. Head was in white on a grey background. The call letters in lower right were badly smeared, but consisted of three letters.



DX from these two periods was coming from Canada and probably the Midwest.

Leslie Prus (1615 Pierre, Manhattan, KS 66502) (CST)

Thur Nov. 5 00:40 Ch. 17, tropo. Station IDed as Channel 17, and had a promo spot for the ABC program 'The Immortal' and an ad for 'Thrifty Drugs' drugstore. The late movie that followed was apparently a drama; Les was only able to watch for a few minutes.



# VHF RADIO

Pat Dyer  
327 Solar Drive  
San Antonio, Texas 78227  
Deadline: 15th of month

DECEMBER 1970

It looks like this column has finally come of age.

Hank Holbrook, 7211 Chestnut Street, Chevy Chase, MD 20015 has some more QSLed DX from his Fair Haven cottage. GMT used.

April

1: 0330, KIC 367 42.86 Culpepper, VA (state police, 300 w)  
1452, KGA 361 33.86 Hyattsville, MD (county fire, 330 w)

June

14: 0618, I MXK 111.5 Andrews AFB, MD (FAA ILS, 200 w)  
0637, ADW 113.1 Andrews AFB, MD (FAA VOR, 200 w)

July

4: 0439, STW 109.6 Stillwater, NJ (FAA VOR, 135 w)  
20: 1020, KGB 738 161.9 Philadelphia, PA (Bell Marine op, 200 w)  
27: 0908, WRI 110.6 Wrightstown, NJ (McGuire AFB, 50 w)

August

5: 1406, KIY 340 37.26 Dresden, TN (police, 100 w)  
1445, KKJ 741 37.10 Siloam Springs, AR (police)  
24: 1331, KKC 227 44.62 Little Rock, AR (state police, 600 w)  
1351, KKC 477 42.02 Gulfport, MS (Dpt of Public Safety, 500w)  
1352, KKA 929 42.02 Jackson, MS (Dpt of Public Safety, 330 w)  
30: 1650, - 157.3 Hacketts Pt, MD (CHESTER PEAKE, Skipjack)

Ferdinand Dombrowski, 1311 West Madison Street, Milwaukee, WI 53204 has a good deal of DX to offer this time. New ones underlined.

Oct

<u>5:</u> WWA 335	Syracuse 2000	<u>22:</u> WWA 335
<u>6:</u> WWA 335	Pittsburgh to	<u>23:</u> KJU 806
<u>7:</u> KUA 300	KCC 482 2130	Long Beach
WWA 335	Wilkes-Barre	<u>24:</u> WWA 335
<u>8:</u> WWA 335	<u>17:</u> WWA 335	KMD 342
<u>9:</u> KUA 217	Long Beach	Long Beach
<u>10:</u> KMD 342	47-MHz Spanish	<u>25:</u> same
Long Beach	Mexico City, 1200	<u>26:</u> WWA 335
WWA 335	<u>18:</u> KMD 342	Long Beach
KUA 217	Long Beach	<u>27:</u> WWA 335
<u>11:</u> WWA 335	San Diego	KMD 342
<u>12:</u> WWA 335	<u>19:</u> WWA 335	Long Beach
<u>14:</u> Long Beach	<u>20:</u> KUA 300	<u>28:</u> same
WWA 335	WWA 335	<u>29:</u> KMD 342
<u>15:</u> WWA 335	KMD 342	Long Beach
KMD 342	Long Beach	<u>30:</u> same
Long Beach	<u>21:</u> WWA 335	<u>31:</u> same
<u>16:</u> OK City, 1945	KMD 342	<u>Nov</u>
	Long Beach	<u>1:</u> KJU 806, 1247

Bill Heusmann, 1527 24th Street, Des Moines, IA 50311 uses a Regency MR-33 and cut dipole. CDT used.

Oct 6: 1020, WWA 335  
1753, KUA 217  
Oct 9: 1045, WWA 335  
1800, KUA 217

Oct 10: 1900, KUA 217  
Oct 12: 1500, KUA 217  
Oct 13: 1830, KUA 217







<u>18:</u> 1230, KOP 303	1152, <u>KCA</u> 585	Wilkes-Barre
1300, KUA 217	1200, <u>KCA</u> 695	1050, KOP 303
1308, KMD 347	<u>KCA</u> 378	1055, <u>KCC</u> 482
1328, Oakland	1328, <u>KCB</u> 897	<u>KCC</u> 266
1340, <u>KMB</u> 396	1500, KUA 217	1130, <u>KGA</u> 361
1500, <u>KOA</u> 748	<u>27:</u> 1230, <u>KOA</u> 748	<u>KGD</u> 273
<u>20:</u> 1000, <u>KCC</u> 482	KUA 217	1134, <u>KOA</u> 398
1555, KUA 217	<u>KCC</u> 482	1200, <u>KGC</u> 524
1602, <u>KOA</u> 748	1400, <u>KCA</u> 378	<u>KEE</u> 720
<u>22:</u> 1355, <u>KCC</u> 482	1500, <u>KCA</u> 695	1300, <u>KOA</u> 748
1400, <u>KCC</u> 266	1535, <u>KOK</u> 418	1445, <u>KGC</u> 226
<u>KCA</u> 378	1543, <u>KOA</u> 796	1500, <u>KGD</u> 214
1440, KUA 217	1607, KOP 303	1530, <u>KEA</u> 792
1445, <u>KEE</u> 720	<u>28:</u> 0845, <u>KCC</u> 482	1630, <u>KOA</u> 796
1450, <u>KCD</u> 454	0900, <u>KED</u> 411	1650, Portland-mp
1500, <u>KCA</u> 695	<u>KCA</u> 695	1745, KUA 217
1600, <u>KCC</u> 532	<u>KGC</u> 524	1755, <u>KOK</u> 418
<u>KCD</u> 658	<u>KBA</u> 887	<u>4:</u> 0835, <u>KCC</u> 266
<u>KCD</u> 594	1755, <u>KOA</u> 796	<u>KCC</u> 482
<u>KBA</u> 887	KUA 217	1000, <u>KGC</u> 226
1803, <u>KIY</u> 508 (Es)	<u>29:</u> 1135, <u>KDD</u> 941	<u>KGD</u> 214
1958, <u>KME</u> 438 (Es)	1330, <u>KCC</u> 482	1005, <u>Phila.-mp</u>
2005, Long Beach (Es)	1355, KUA 217	1555, <u>KOP</u> 303
2023, <u>KMA</u> 829 (Es)	1555, <u>KCC</u> 266	1620, KUA 217
<u>23:</u> 0755, <u>KCC</u> 482	1600, <u>KCA</u> 695	1700, <u>KOA</u> 748
1455, Scranton	1655, <u>WWA</u> 335	2135, <u>KFL</u> 936 (Es)
1500, <u>KCC</u> 266	1700, <u>KCD</u> 658	<u>5:</u> 1115, <u>KCC</u> 482
<u>KGC</u> 334	<u>KCA</u> 627	1145, Scranton
<u>KGA</u> 361	<u>30:</u> 0835, <u>KCC</u> 266	1240, <u>KCC</u> 266
1503, KOP 303	<u>KCC</u> 482	1300, <u>KGD</u> 273
1525, <u>KCB</u> 897	1555, KUA 217	1630, <u>WWA</u> 335
1600, <u>KEE</u> 227	1600, <u>KCA</u> 695	1635, Eugene
<u>KGC</u> 524	1700, <u>KOA</u> 796	<u>KOP</u> 303
1630, KUA 217	<u>31:</u> 0930, <u>KCC</u> 482	1700, KUA 217
<u>KOA</u> 748	0955, <u>KCC</u> 266	<u>KOA</u> 796
<u>KCD</u> 492	1055, Scranton	<u>6:</u> 0855, <u>WWA</u> 335
<u>24:</u> 1115, <u>KCC</u> 482	1100, <u>KGC</u> 524	<u>KCC</u> 482
<u>KCC</u> 266	<u>KGD</u> 214	0900, <u>KCA</u> 378
1130, Scranton	1110, KOP 303	1535, KUA 217
1140, KOP 303	<u>KGC</u> 223	<u>KCC</u> 266
1230, <u>KCA</u> 280	1300, <u>KGC</u> 334	1540, <u>KCA</u> 695
<u>KCA</u> 554	1600, KUA 217	1558, <u>KCD</u> 658
1300, <u>KGC</u> 524	<u>KOA</u> 748	1700, <u>KCB</u> 360
1400, <u>KGD</u> 214	<u>N 1:</u> 0950, <u>KCC</u> 266	<u>KCA</u> 627
<u>KGA</u> 361	<u>KCC</u> 482	<u>KCD</u> 353
1500, <u>KCA</u> 695	1100, <u>KGC</u> 524	1740, <u>KOP</u> 303
1525, KUA 217	1115, Scranton	<u>7:</u> 1150, KUA 217
1545, <u>KCD</u> 497	1130, <u>KOA</u> 748	1520, <u>WWA</u> 335
1550, <u>KCJ</u> 825	1300, <u>KCA</u> 695	1645, <u>KIY</u> 508 (Es)
1556, <u>KCD</u> 594	<u>KCA</u> 378	<u>KIN</u> 645 (Es)
1600, <u>KED</u> 485	1305, <u>KCD</u> 492	1810, <u>LU2BN</u> (Es-TE)
1602, <u>KEE</u> 227	1400, KUA 217	1840, Mex City (Es)
1625, <u>KCD</u> 492	<u>KEG</u> 663	<u>8:</u> 0930, <u>KMB</u> 395
1630, <u>KCD</u> 271	1550, <u>WWA</u> 335	0935, <u>KOA</u> 748
2230, <u>KHB</u> 41 (tr)	1600, KOP 303	0955, <u>KCC</u> 482
<u>25:</u> 1110, <u>KCC</u> 482	<u>2:</u> 0845, <u>KCC</u> 482	1200, <u>KCA</u> 695
1130, <u>KED</u> 411	0850, <u>KCC</u> 266	1245, KOP 303
<u>KOA</u> 748	0920, Scranton	<u>KCC</u> 266
<u>KCC</u> 266	<u>3:</u> 1015, Scranton	1255, KUA 217



8:1530, KCA 378	10:1605, KUA 217	13:0900, KCD 244	14:1630, KOA 748
1550, KFL 936 (Es)	1600, KMB 395	KCA 695	15:1035, Scranton
1640, KOE 257 (Es)	1700, KCD 244	1550, KCC 482	KGC 223
1910, KH6NS (3Es)	11:0835, KCC 266	1600, KGC 524	1050, KCC 482
2240, KIM 905 (Es)	0840, KCC 482	1605, KCC 266	1100, KGC 334
9:0845, KCC 482	0900, KCA 695	1730, KUA 217	1125, KCC 266
10:1045, Scranton	1625, KUA 217	14:1050, Scranton	1130, KEG 667
KCC 482	1628, KCA 585	1110, KGC 226	Wilkes-B
1050, KCC 266	1630, KOA 748	1115, KGC 223	1200, KGD 214
1100, KEE 720	12:1500, KCC 482	1130, KMB 395	1300, KGD 273
KCA 378	1503, KCA 378	1200, KGD 273	1403, KGC 226
KGC 524	1505, KOA 796	1400, KCC 266	1615, KUA 217
KOA 748	1530, KCC 266	1430, Wilkes-Bar.	1630, KOA 748
1115, KED 697	1600, KED 485	1500, KGC 334	(my KGC223 are
1530, KGA 361	13:0900, KCA 378	KGD 214	35.22 outlet)

(add: Oct 7:1600-KGC532, KGA361; 8:1545-KCA303; 13:1300-KCA591; 14:1545-KCD497  
 1602-KCD244, 1605-KEG253; 15:1600-KCD244, KCC532, 1601-KCD246, 1605-KCD594 )

JALMRS 50 /	Japan	KHB 41	162.55	Corpus Christi, TX-w
KBA 887 33.70	Bolton, MA-f	KH6GRU 50 /		Hawaii
KCA 280 37.10	New Haven, CT-p	KH6NS 50 /		Ewa, Oahu, Hawaii
KCA 303 33.50	Dover, MA-f	KIE 367 43.58		Miami, FL
KCA 378 33.82	New Haven, CT-f	KIF 650 35.58		Birmingham, AL
KCA 554 37 /	New London, CT-p	KIG 300 43.58		Atlanta, GA
KCA 585 33 /	Plymouth, MA-f	KIM 905 35.22		Charlotte, NC
KCA 591 33.74	Boston, MA-f	KIN 645 35.22		Miami, FL
KCA 627 33.50	Easton, MA-f	KIY 508 35.22		Orlando, FL
KCA 695 33.78	Manchester, NH-f	KIY 757 35.22		Montgomery, AL
KCB 360 33 /	Leominster, MA-f	KJU 806 35.58		Oxnard, CA-?
KCB 890 43.58	Boston, MA	KMA 829 35.58		California
KCC 266 35.58	Springfield, MA	KMD 342 35.22		Fresno, CA
KCC 482 35.22	Concord, NH	KMD 347 35.58		Stockton, CA
KCC 532 33.58	Plainville, CT-f	KME 438 35.22		California
KCD 244 33.70	Falmouth, MA-f	KOA 398 39.82		Montesano, WA-p
KCD 246 33 /	Yarmouth, MA-f	KOA 748 33.90		Seattle, WA-f
KCD 271 33.70	Harvard, MA-f	KOA 796 35.58		Portland, OR
KCD 353 33.70	Lancaster, MA-f	KOE 257 43.58		Phoenix, AZ
KCD 454 33.70	Hyannis, MA-f	KOP 303 35 /		Oregon-mp
KCD 492 33.70	Dennis, MA-f	KQC 881 43.58		Cleveland, OH
KCD 497 33.64	Bourne, MA-f	KSC 645 35.58		Chicago, IL
KCD 594 33.70	Chatham, MA-f	KSC 864 35.58		Peoria, IL
KCD 658 33.70	Westminster, MA-f	KUA 217 35.58		Honolulu, HA
KCD 697 33.70	Provincetown, MA-f	KUA 300 35.22		Santa Barbara, CA
KCJ 825 33.94	Bayonne, NJ-f	LU2BN 50 /		Buenos Aires, Arg.
KDD 941 33.62	Darien, CT-f	WWA 335 35.22		San Juan, PR
KEA 627 43.58	New York, NY	ZK1AA 50.1		Cook Island
KEA 792 37.10	Schenectady, NY-p	-	35.22	Boise, ID
KEC 516 43.58	Syracuse, NY	-	35 /	Eugene, OR-mp
KED 411 33.86	Cliffside Pk, NJ-f	-	35.58	Long Beach, CA
KED 485 33.82	Woodbridge, NJ-f	-	43.57	Mexico City
KEE 227 33.94	N Plainfield, NJ-f	-	35 /	Oakland, CA-mp
KEE 720 33.78	Milburn, NJ-f	-	35.22	Oklahoma City, OK
KEG 253 33.82	Fords, NJ-f	-	35 /	Phila., PA-mp
KEG 663 33.82	Metuchen, NJ-f	-	43.58	Pittsburgh, PA
KEG 776 33.82	Edison Twp, NJ-f	-	35 /	Portland, OR-mp
KGA 804 43.22	Philadelphia, PA	-	43.58	Sacramento, CA
KGC 223 43.58	& 35.22	-	35.4	San Diego, CA-mp
KGC 334 33.78	Gaithersburg, MD-f	-	35.22	Wilkes-Barre, PA
KGC 524 33.78	Dover, DE-vf	(f-fire, p-police, c-county, v-volun-		
KGD 214 33.90	York, PA-cf	teer, mp-mobile phone; pagers rest)		
KGD 273 33.98	Bel Air, MD-f	73, Pat, WA5IYX/5		



# AUSTRALASIAN SCENE

EDITOR:

Glenn Hauser  
Korat, Thailand

DECEMBER 1970

Conditions continued excellent in the last half of October, with more of the same, plus a fine Es opening on the 18th; FM from Ckinawa, some Japanese FM links and a Korean 6-meter ham were added to the log. Not to mention a new local station on channel 2!

A nicely-printed QSL card has come from Radio Hong Kong, which I heard on 94 MHz last summer. Despite a detailed report with a tape recording obviously in Chinese, they verified the 91 MHz English outlet which I have never heard. It still seems that sending reports to stations causes more frustration than it's worth. Few stations seem to genuinely be interested in DX reports and understand basic propagation. So for me it's back to the tape recorder and the camera--which should provide all the proof anyone could want.

DX by date; times are TST (GMT+7h or TST +12h).

14 Oct. 1115, 2-way between American and accented English speakers re hotel reservations, on 42860 kHz. The place "Kenda-hat" was mentioned: anybody recognize? 1125, buzz-49750, fade in and out. 1130, KBS-44300, ID and national music; 1135, Singapore-95.8 scatter as usual. 1205, an MS burst on 99.9 MHz, talk, and at 1225 singing. Very likely one of several AFVN-Vietnam outlets on this freq in the 400-500 mi range. My local TV relay station on ch A12 was off the air for several days, but improved signals were noted from another relay of HST-A4, on ch A10, west of here.

16 Oct. 1955, Chinese dramatic music, occasionally with chorus, broken F-scatter type reception on ch R1, offset to about 53.26 MHz, judging from VCI-frequency. 2010, dead air; also extremely garbled video around ch R2. 2005, Delhi, ch E4, open carrier, now quite familiar. 2025, test pattern (photo), 2030, girl announcer on screen; fadeout around 2040. 2025, AFKN-A2 Seoul, F-scatter, concluding news; 2030, filmed drama; heavy video CCI. ID at 2115 and right into Tonight Show; out around 2200. At 2040 I listen to 55.25 MHz and heard a mess of heterodynes among various video signals.

17 Oct. Singapore as usual, presumably tropo-scatter, at 1125 on 95.8 MHz.

18 Oct. brought another Es opening from Singapore. At 1513, 96.8 MHz was in well with weird music in Tamil program; this was the strongest freq for a while; all others were in too: 1523, 95.8 with Chinese talk; 94.2 at same time in Malay; 92.4 in English. At 1529, BFES-83.9 with Scheherezade, anmt, id, BBC program "Dickens' London". Numerous recordings made off all stations. 1600, BBC news, excellent signal relayed from nearby Johore Bahru BBC Far Eastern Station. After a local musical program, again relaying BBC with sports roundup at 1647. Still at 1715. TV Malaysia, Johore Bahru, ch E3, Bill Cosby program in English about kid's movies at 1530; 1550, "Get Smart," 1614, cartoons. 1640, soccer with English commentary; Bangkok-ORM after 1655. 1732, newscast in Malay (photo), ID at 1724, "Leave it to Beaver". 1537, R. Malaysia Sabah relogged on 97.5 MHz; country music in Chinese (?), anmt, etc.; timesig 1600. 1628 ID in Chinese, Malay, into dialect; 1736 music in brief fade in. Around 1600 on several freqs between 98.3 and 99.6, various AM signals and hets, maybe 2-way, well rejected by my FM tuner. Also a burst of music on 99.9, like MS from Vietnam. 1615, TV Malaysia, Taiping, ch E4 video and audio like on ch E3, relayed but video quality noticeably deteriorated. 1633, stereo music on 97 MHz until fadeout 1647...maybe Thailand. There is such a station in Chiang Mai, but too close for skip. Singapore FMs were fading by 1635. 92.4 was already gone, prehaps off, since at 1706 it had a tone test, preparing for evening stereo program. 1720, announcement and music but too weak to tell if stereo. 1715, KPS-49300, only freq hrd, drama. I was about to relax, but this date wanted to become my best yet for VHF DX! At 1750, audio on AM in French on 41250 KHz (ch F2), commentary on Brazil. 1758, program summary, 1800 news, 1810 film. Checked for corresponding video on 52.4 MHz but saw only slop from ch E3. MUF seemed around 43 Mhz. 1843, talk about Napoleon; fading around 1900 ID, and gone by 1910. 4 stations of reasonable power are listed: Bastia, 12.5 kw, Caen, 12.5 kw; Limoges, 50 kw; Troyes, 62.5 kw...they are in the 5800-6000 mile range. 2130, E4 Karachi music, plugging a bank; late fadein; local ads 2153, mostly English; 2205 Ironside; strong video by 2215; 2250-2300 more ads; 2300 news, seemed in different language than usual. 2325 more ads. 2340, video buzz and het on 48.25 MHz for first time (ch E2), and at 2345, audio on corresponding 53.75 MHz: mideast music not//Karachi-E4. 2400, talk in Arabic, 2420 music, fadeout 2430. Tripoli, Lebanon with 220w audio ERP is the only Arabic-speaking station I can uncover on this channel. May be able to dig ID out of tape. 2405-15 Karachi good.



19 Oct. 1925, KBS-49300, also good at 2105. 1948, ORTF (French) TV audio on 41250, program summary, fanfares, songs, soon gone. 2010, Hsinhua news agency, China, dictation on 48810, 3x16270 kHz, singing at 2014. 2330, mid-east music on 39487 kHz, some talk; located fundamental on 9872 (x4); very distorted and unstable here but clear on harmonic! Syed Shanaz Qutab, in Sweden Calling DXers bulletin #1090 reported a new "R. Station Multan" somewhere in Pakistan on 9870. 2355, two way on 33550, 2 American missionary women schoolteachers, until 2404, no IDs given.

20 Oct. 1225, Russian news on FM, VCI indicated 56.22 MHz, evidently offset from nominal 56.25 MHz of ch R1. Also video buzz-49.75. 1245 ID as Moscow (relayed), time, then local program from Abakan (however, this may have been a nationwide program). Extremely strong audio and video, the latter showing at the low extreme of the set's ch 2. 1300, time sig, Moscow news, etc., music, jazz, evidently entirely relay of radio service, not TV, until gone at 1445; video still strong at 1500. 1335, TP on ch A2, believed Indian-head type: likely AFKN, sked s/on 1400. 1430, film; no audio. Initially, ORM to video by ch R1 audio nearby was tremendous. 1559, Japanese on 51.21 MHz, NHK ID given and call sign JO--, but hard to make out letters. 1648, on 58.60 MHz, ID marker "OKO", well known to USAF types as Yokota AB near Tokyo. Mixing with others, possibly sub-harmonic of 117.2 MHz? Another one IDing as "XAC" seemed around 57.37 MHz at 1705. 1750, Lhasa, Tibet, Chinese talk on 36315=9x4035. Now, evening reception of Indian and Pakistani stations not quite so regular....

21 Oct. 1059, KBS-44300 with ID also as HLKA, ending 5-minute drama. 1125, Singapore-95.8 one last time, before moving attic antenna from Singapore direction to NE. 1150, video buzz-49.75; strong by 1315 when also KBS-49300. 1347, Japanese ads, fast-paced programming on 60.63 MHz, including ID as "Wakayama Hoso". This is station JOVF on 1430 kHz, evidently a studio-transmitter link. Also NHK-FM link at 1353 on 60.25, sports coverage. The two stations continued for some time. Wakayama had Japanese ads at 1357, and a single prolonged tone at 1400. NHK-60.25 had a discussion at 1425; network ID at 1458, news. 1426, Soviet TV audio on 56.25: 2 stations, one music, one talk. The musical one was a Mayak relay, with IS at 1430; the non-Mayak dominated when I turned TV antenna further E: overriding Wakayama too. By 1510 Japanese gone, leaving fine Soviet signal, music. 1530 IS and news, very clear. 1559, during 6-pip timesig, transmitter switched off. 1940, broken signal, weak on 89.1 MHz, stereo concert. 1952 English anmt gave selections and title "Concert in Stereo," but no ID. Titles checked later with AFRT-Okinawa, per a phone call. Fadeout before 2000 ID. 1820mi away!--and not sure of propagation. No sign of Hong Kong FM which is near midpoint and might be expected if this were double-hop Es. Also with FM ant in new direction, discovered Khon Kaen Por Chor Sor on 98.0; stereo music, fades; mono after 2100. 2228 theme, ID and s/off giving freq as 97.25 MHz, King's Anthem. 2010, AFKN-A2, American news; 2030 Perry Mason recognizable on video. 2132, weak video on E4, but audio good with VCI: documentary in Hindi/Urdu with the word "gearbox" appearing frequently.

22 Oct. Ch R1, 1259 concluding pgm from Bashkir Radio, Moscow-TS, ID, news after customary minute of silence. 1330, pgm about GDR after music; finally at 1439 ID as Vladivostok, into concert; gone at 1505 recheck. F2 at 2628 miles. 1640 on 41220 kHz, French TV audio, obvious from long pauses; not sked on this early; evidently offset freq. 1652, video buzz and het on 44990, which could only be from BBC-TV, offset. Also weak audio at 1659 on 41490; kiddie music, woman talking with long pauses (school pgm sked). 1710, ORTF-Brazzaville, Congo on 42998=2x21499 kHz, off-air relay from Paris. Loads of Russian 2-way on many frequencies in the area; and lots of hts between 40 and 42 MHz. At 1740 a beacon marker sending "D" in Morse ad infinitum on 41100. Around 1750, rapid drop in westward F2 MUF. 1759, R. Svoboda, Taiwan, 2x17780 in nicely, on 35560. 1910, ORTF TV audio on 41250, French, in and out, mostly out. 1952 on 41495 kHz, BBC TV audio: BBC talk and at 1955 "program will resume at...", music. I had been sleeping in the 0300-1100 period but with a shift change that would put me at work between 0600 and 1300 I finally checked out morning hours for VHF:

23 Oct. 0815, KUA217, Radiocall Honolulu, pager on 35580 kHz, messages for 301 and 307; continuous ID marker: F2 from 6467 miles away. ORM from R. Svoboda harmonic on 35560 (the A-2586 receiver isn't too selective, but is sensitive!). Another Honolulu pager was heard at 0840 on 35220, on FM in contrast to KUA217's AM. Rather wideband FM at that and hard to copy. Call like KUY527, and 2 variable tones; infrequent IDs. Checked for KHON-TV ch A2 but F2 MUF never got that high. 2000, Lhasa, this time harmonic from 5935 kHz, on x7=41450 with Chinese talk not parallel to any other MW or SW China freqs, but //5935, 4035 and 9490, all listed as Lhasa. Harmonic had distorted FM sound. 2204, 3-tone pager in various combinations on 35790 kHz; others in background. 2225, FEBC Philippines on 30880=2x15440. Fades.



24 Oct. 0815, A2 marker sending "V" with hum on 36930 kHz. 0858, Voice of Free China, 35540=2x17770, tone, IS, ID in Chinese and English, mixing with a Peking harmonic. 0905, KBS-44300 news; 0950 ch R1 videoon 49.75 MHz, including het from more than one station at times; fadeout after a few minutes. 1108, missionary 2-way re books and bibles, FM 33550, man and woman. Lady seemed the same on as logged here on 19 Oct.

25 Oct. 1250, Russian numbers and names on 40100. 1310, Soviet HS on 30950 SSB; 2x15475, 1315 ID. 1320, KBS-44300, Pomp & Circumstance: 1323 buzz-49750 with het; strong, still 1515. South Korean ham HL9WI 1329 on 50250 approx, on TV set with beacon marker on A2. report sent. 1755, Lhasa on 28467=3x9489, Chinese talk. 1855, "Korat 2", pager with tones on 45805. 1935 "OKO" at Yokota beacon on 57350 approx; also AFKN-A2 video ARM, developing into news on audio at 2005; 2030 peak, almost snowfree. 1959, NHK on 66570, timesig, ID and news...seemed at upper edge of MUF. 2015, offset CCI of about 20 kHz to semilocal Thai on ch A3, maybe KBS lowpoer relay. 2025, jazz, stereo, fadey, probably Okinawa again, altho there s an AFKN station there too.

26 Oct. 0805, KUA217-35580 Honolulu, mkr "all clear"; het. 0855, KBS-44955, but with local program not //44300. Hymnlike kidsing, 0859, ID as HLKS (Cheju) or HLKF (Jonju), timesig, joining net for news. 2013, Delhi on ch E4, strong black, TP off and on; on 2027, 2030 ID slide (foto) and gal, then Mrs. Ghandi's UN address (in English) video out by 2105, audio by 2125.

27 Oct. Honolulu pager KRX327 (?) on 35220 at 0825, tones, ID every half hour. VOFC 35560 harmonic at 1000, news. 1315, Soviet HS SSB on 32500, 2x16250; echo between them indicating radically different propagation paths. European RSFSR site listed for 16250. HL9WI again, this time on A-2586 rx; 1345 on 50095 with V marker, lasting about 24 secs once a min. 1350, buzz-49750, out by 1430, back at 1455. 1448, tone and busy signal on 35480.

28 Oct. AIR-India 43170=2x21585 in French at 1814.

29 Oct. In preparation for the 4th annual 2nd regional games (gee-la) here in Korat, temporary AM, FM and TV stations went on the air. TV was on ch A2 frequencies but with 625-line video, more or less. First seen at 1255, and came as quite a shock!--experimenting with camera alignment on the air. Audio at times paralleled FM 93 MHz xmtr, actually audible on 93225 and 92775 kHz sidebands. On most afternoons and evenings until 7 November, often with idle camera shots, or underlit coverage of boxing, track, etc. Believed set up by Army TV (Bangkok's ch A7). 1425, het and buzz on 49750, about 5 kHz apart.

30 Oct. 1300 49750 buzz, still at 1500, strong but at MUF; same was the case since with no further DX above 50 MHz--of course the local on ch A2 may have wiped out some. 1300 KBS-44300 baseball, and at 1430 on 49300.

3 November. Delhi-E4 at 2030, A&V out by 2100.

4 Nov. HST-4 relay on ch a11 at 2220, while local ch A12 off.

And that wraps it up! I've had to forego a lot of time at the dials in preparation for my move to Warner Robins, Georgia. I should be there by mid-December.

Correction. Previous reports of Soviet audio on 65250 kHz were in error. Should have been on 56250 kHz--chr1 audio. I have learned that my VCI technique has a 9 MHz ambiguity factor! Same goes for video on 64250 which must have been ordinary 55250 instead.

Vietnam Television. From a story in Stars & Stripes, 3 Oct.: "BLUE EAGLES END AERIAL BROADCASTS. The Blue Eagle has gone to roost. The Western Pacific detachment of the Oceanographic Development Sq. 8 flew its last regular mission over Vietnam Wednesday night, ending nearly five years of bringing television and radio broadcasts to American troops and Vietnamese civilians here. The last Blue Eagle (nickname of the detachment, the planes and the crewmen) ended its flight after four hours of broadcasting over Qui Nhon. A Vietnamese station picked up broadcast responsibilities for the Qui Nhon area Thursday completing the US military and Vietnamese civilian network.... The Blue Eagles started their daily missions Feb. 7, 1966. Since, they have flown about 15,000 hours, bringing more than 11,000 hours of broadcast time to their audiences. At the height of its operations, the detachment was flying from Can Tho to Qui Nhon, three of its Super Constellations beaming 15 hours of news, information and entertainment daily. The aircraft and crews will return to their home base, Patuxent River NAS in Maryland. For the time being one S-C will remain at Tan Son Nhut AB on the outskirts of Saigon on standby in case of difficulties at AFVN or Vietnamese stations." I have discovered the long-lacking technical data on Vietnam TV--but it hasn't helped me to pick it up! AFVN has several stations on ch A11 and on ch A13. Most VTVN TVs are on ch A9 except for one on A11. This may be the last Aust. Scene column... 73 de Glenn



