

# From The STAFF

W.T.F.D.A. Headquarters, P.O. Box 514, Buffalo, NY 14205

WTFDA REPRINT CATALOG...We told you to expect it soon in the last issue. We goofed! Due to changes that had to be made (updates) this item had to be put on "hold"--and other projects took over shortly after that. If you're STILL waiting for one, it will be ready shortly. It's free to those who send an S.A.S.E to HQ.

NEW CLUB PUBLICATIONS...Those "other projects" mentioned above have really kept HQ busy. Watch the next couple of issues for announcements about our brand new guide to TV-FM DXing for new members (everyone who joined WTFDA this year will receive one free of charge when it's ready), and MORE new WTFDA club publications, including the new WTFDA Translator-LPTV List!

GET IN THAT BID...Last call for those members interested in being the host(s) of WTFDA Convention 1985. You have until November 1st to make your bid. If you are interested, you MUST have a copy of the club's bid form, to be filled out and returned as soon as possible. We will not accept bids made by phone, and you must be a current member of WTFDA in order to host the convention. If more than one bid is received by November 1, the WTFDA membership will vote to decide the site of the 1985 convention.

TROPO PICKS UP...In many parts of North America, some great tropo DX conditions seem to have helped WTFDAers forget about the poor E-skip showing of the past summer months. Late August was super at times highlighted by an astounding catch of Colorado UHF TV translators by Jeff Kadet in Illinois at well over 600 miles!!! September featured some incredible ducting, especially along the East Coast, with Hurricane Diana influencing one massive tropo session, and more surprises taking place later that month. Be watching for reports in the next couple of issues.

TECHNICAL TOPICS IS BACK!...It returns on page 21 of this issue. New editor Tim McVey needs your ideas and questions, so check it out--then drop him a line at: Route 3 - Box 568, Bolivar TN 38008.

UPCOMING...There's a lot of great features in the VUD in coming months. An article is in the works on the outstanding new Teknika low-noise tuner/converter; one on the classic McIntosh MR 78 "DX machine," a photo report on WTFDA's 1984 convention, and much, much more.

ANARC UPDATE: Part III, Saturday.....	3
FCC FM NEWS: 92 kHz is here, and K-Radio--an FM pirate???	4
SOUTHERN FM-DX: California DXer hears 2Es from Florida.....	10
QSL CORNER: Station replies with verie-humourous coverage map..	14
NORTHERN FM-DX: New and Improved???	15
TECHNICAL TOPICS: The difference between groundwave, tropo.....	21
CCI (UNIDENTIFIED DX): Many more UNIDs this month.....	22
WESTERN TV-DX: August turns from bust to BOOM.....	24
EASTERN TV-DX: Arctic TV-DX.....	32
VHF UTILITY DX: From the 1984 WTFDA convention.....	36
TELEVISION NEWS: Canadian notes & FCC deregulations.....	40
OUT OF SYNC: Corrections to recent mistakes (oops!).....	50

Cover: Coverage maps from the Bruce Elving Collection.

# ANARC UPDATE

STEVEN P. SPRACHMAN  
39-16 48 Street  
Sunnyside, N.Y. 11104

## PART III- THE ANARC CONVENTION-SATURDAY.

We woke up nice and early on Saturday. We still could have used another 24 hours of sleep in order to have been refreshed. But, up we were. We made it to breakfast by 8 a.m. We ate our meals in one of the hotel's restaurants. It was expensive and the food wasn't very good. And, we did not have the time to search for another restaurant. I quickly downed my \$2 drop of orange juice and gobbled my \$3.50 pancake. For Saturday's events sounded interesting.

Two programs were planned for the morning. The first was a forum for Shortwave and AM DX'ers. Sam Barto, NASWA's QSL Editor, spoke on QSL'ing. Don Moman spoke on beverage antennas for AM DX'ers. Cedric Marshall, one of the crazy DXpeditioners, spoke of shortwave signal enhancement over the North Pole. This was followed by the International Broadcasters Forum. This years panel was made up of:

Ian McFarland- Radio Canada International  
Jeff White- Radio Earth  
Andrew Piper- British Broadcasting Corp.  
Eugene Reich- Voice of America  
Adrian Peterson- Adventist World Radio- Sri Lanka

Questions were asked on programming and station policy. The forum is always one of the most interesting programs at the convention.

The afternoon was made up of a trip to the CN Tower (which is the tallest free-standing structure in the world.) and the transmitter site of CFRB/CFRX. Joyce and I used this opportunity to do some sightseeing. We went to downtown Toronto by subway. The cleanliness of the city puts most American cities to shame. The downtown area is modern, airey and filled with people. We went to a huge shopping complex called Eaton Center. It is a three level, glass enclosed shopping mall with several hundred stores, shops, and restaurants of all types. With a 30% exchange rate in our favor, it made shopping attractive.

While we were downtown, the WTFDA table was manned by Dave Nieman and Saul Chernos. I really appreciate their help with the table. I enjoyed talking about DX to them. Dave had some interesting tapes on FM DX. I had my pictures of TV ID's. Mike Reid came by with his QSL Letters. I hope all three enjoyed the convention and to talking to other DX'ers.

Saturday night was the annual ANARC Banquet and Awards presentation. This is a formal affair, so I had to dig out a suit which had not seen the light of day for several months.

This year's awards went to:

Ralph Perry- North American Shortwave DX'er of the year.  
Mark Conley- North American Specialty Band DX'er of the Year.  
Juan Carlos Codina- International DX'er of the year.  
Jeff White of radio Earth- International Broadcaster of the Year.

He was ready to thank all his listeners- by name, in his acceptance speech.

The speaker was Tony Ward, who probably has done more types of DX in more places over the world than anyone in the room. He made a marvelous speech. He spoke to everyone in the room. He spoke to SW DX'ers, TV-FM DX'ers, Ham operators, and DX Widows, like my wife. He spoke of his most memorable moments of DX.

Tony Ward's speech was followed by the ANARC Raffle. The big prize was an \$800 radio. Unfortunately, I did not win anything. That's OK. I probably would have won something I could no use.

The rest of Saturday night was spent looking at QSL Cards and watching Saturday Night Live on CITY-57.

Next month, part IV, Sunday, the convention concludes.

Not much DX here. I hope everyone is having better luck than I.

73's and best of DX,

Steven P Sprachman



# FM NEWS

Bruce F. Elving, Ph.D., Editor  
4515 Avenue "E"  
Kearney NE 68847-2610

## NEW FM STATIONS GRANTED

AL AL Greenville 94.3 3000 h.v.; 300'  
AK Juneau 106.3 3000 h.v.; minus 900'  
AK Port Lions K29AU \*105.9 \$, c (KMXT 100.1 Kodiak translator), on the air  
AZ Phoenix KFLR-FM \*90.3 2700 h.v.; 350', Family Life Broadcasting  
AZ Yuma 109.9 3000 h.v.; 300'  
AR Bald Knob KKSX 107.1 3000 h.v.; 300'  
AR Hampton KKOL 107.1 3000 h.v.; 300'  
AR Pine Bluff 99.3 3000 h.v.; 160'  
CA Camarillo \*90.3 2500 h.v.; 1600', Association  
CO Leadville K288AG 94.37 (KVOD 98.5 Denver translator), person I spoke to at KVOD gives calls K288AG, which would indicate 105.5, but frequency as 94.3; KVOD was recently heard in Leadville on or near 94.3, possibly as cable re-radiation) [Radio  
FL Milton WEGS \*91.7 2000 h.v.; 300' FL Public/ID Ceor D'Alene 102.3 340 h.v.; 760'  
ID Lewiston 101.5 10000 h.v.; 985'  
IN Vincennes WZOM 92.1 2000 h.v.; 380'; m  
KS Haysville 105.3 22300 h.v.; 700' [Society  
KS Hill City \*90.5 100000 h.v.; \$; 660' KANZ[2]/KS Lindsborg 95.9 3000h.v.; 300'; Swedish town.  
KY Flemingburg 106.3 1500 h.v.; 400'  
LA Dry Prong \*89.1 385 h.v.; 160', g. Ed. Found.  
MA Fitchburg \*91.3 100 wats.; 135', State Col.  
MI Hudson WLEI 97.7 3000 h.v.; 300'  
MS Artesia (a Starkville rim-shooter?) WZIX 100.1 3000 h.v.; 300'  
MS Taylorville WBBN 27.7 1400 h.v.; 425'  
NE Central City 100.3 10000 h.v.; 510'  
NV Sparks 92.1 500 h.v.; 530'; initial decision, subject to reversal  
NM Lordsburg KKKK 97.7 250 h.v.; 130'  
NY Canton WLSU \*89.5 \$, cm, 4300 h.v., directional to the NE. On air, height not known  
NY Syracuse WJZP-FM \*83.1 100 w.; 120'  
NY Webster \*90.7 33000 h.v., DA (directional), 240'; Stereo, Family Stations  
ND Minot K276-103.1 \$, b (KYND 97.1 Minot ND), "the old KYND translator on 100.1 went off when KBQQ 99.9 came on. I was disappointed to find my FM receiver is now badly overloaded by all the local FM signals. It used to be a great DX location! The worst is KBQQ 99.9, which I was surprised to find is only 6 miles from my QTH," writes Fred Mc Cormack of his Des Lacs ND location.  
ND Williston 101.1 100000 h.v.; 1000' (seeks 8000)  
OH Proctorville (veteran AM DXer Dave Thomas' home town, site of "WUMS," near Huntington WV; does anybody in the WTFDA remember my winning the "Dave Thomas Award" in the 1950's, when I was in the NRC radio club?) \*91.9 3000 h.v.; 300', g. Maranatha  
OK Healdton 105.5 3000 h.v.; 300'  
OR Springfield \*88.9 410 h.v.; 375', g. Foundation  
TX Hamlin KRRS 103.7 5300 h.v.; 820'-a strange assignment, too low powered for a Class C or C-1; too high an antenna for a C-2.  
TX Junction KLFQ 93.5 3000 h.v.; 300'  
VA Mechanicsville (near Richmond) WPUF 92.7 3000 h.v.; 295'  
WA Longview \*90.3 850 h.v.; -5', g. Columbia Hts. Christian Assembly—displaces K212AH, which is presumed deleted  
WA Wenatchee K280B 2 \$, b 103.9 (KONA-FM 105.3 Kennewick WA translator)  
WV South Charleston 100.9 3000 h.v.; 300'  
WV Casper 106.9 100000 h.v.; 1825'  
AR Gordon 92.7 3000 h.v.; 300'  
CO Lamar 105.7 100000 h.v.; 500'-initial

decision—subject to reversal  
IA ER Oak K285BM 104.9 (KQIS 106.3 Clarinda IA translator)  
KS Emporia 101.7 3000 h.v.; 300'  
MA Amherst 100.9 3000 h.v.; 300'-initial decision, grant is disputed by other applicant  
MN Little Falls K240BC 95.9 (KTIG 100.1 Pequot Lakes translator); assumed \*  
MT Billings 103.7 100000 h.v.; 490'-initial decision, subject to reversal [CKGF AM relay  
BC Christiana Lake (40 km W. Trail) 93.8 88 w/  
BC Falkland (55 km ESE Kamloops) 102.7 64 w.  
CBU-CBC network relay  
BC Greenwood (70 km W. Trail) 96.7 40, CKGF/  
BC Lytton 93.1 65 w., CBU-CBC network  
BC Tumbler Ridge (85 km SW Dawson Creek) 89.9 26 wats, CBU-CBC  
NF Hopedale, Lab. (80 km NW Makkovik) 91.1 93 wats, CFBG AM, CBC relay  
NS Weymouth 103.3 3000 (30 km SW Digby), CKDY Digby relay  
PQ Ile Notre Dame (Montreal) 95.1 3 wats, authorized only to broadcast June 15, 16, 17, '84; now only of historical interest; already deleted  
PQ Natushan 98.1 8 wats  
PQ Quebec C1MF 93.3 48000 h.v.; back on air, \$/  
PQ St. Lawrence River Shores (Quebec City) 91.9 49 w, on ship moored in St. Lawrence River for celebration of "Quebec 1534-1984," on now and DX ready, but to fold Oct. 31, 1984  
PQ Village des Hurons (10 km NW Quebec City) 100.3 50 w, 50% French, 30% Huron, 20% Montagnais dialect

## FACILITIES' CHANGES GRANTED

AL Roanoke WELR-FM 102.3 (from 95.3) 2900 h.v. (320')  
AK Soldotna KENY 101.7 270' (3000 h.v.)  
AZ Marano KOPD 98.3 200' (3000 h.v.)  
AZ St. Johns KOZE 95.7 100000 h.v.; 1760'  
AZ Tucson K1IN 98.5 95000 h.v.; 2000'  
AZ Springdale KC1Z 104.9 940 h.v.; 495'  
CA Burney KARZ 106.1 1980' (100000 h.v.)  
CA Dinuba KO1J 98.9 19000 h.v.; 815'  
CA Garberville KERG 104.3 C-2 (from 100.1) 200 h.v.; 2510'  
CA Indio KCMJ-FM 92.7 850 h.v.; 580'  
CA Lakeport KNTI 98.5 2600 h.v.; 1880' [Dolby  
CA Los Angeles KUSC \*91.5 25000 h.v.; 670', no C-0  
CA Alamosa KRZA \*88.7 7000 h.v.; 2390'

## WMNR

CT Monroe WMNR \*88.1 now on with 11,000 h.v.; directional, 240'. To have talking book for the blind SA (T) "in a few months."  
DE Georgetown WSEA 93.5 2600 h.v. (350')  
FL Clewiston 106.3 WAFB 1300 h.v.; 480'  
FL Daytona Beach WWLV 94.5 100000 h.v.; 470'  
FL Port Pierce WQCS \*88.9 (from 88.3) 100000 h.v.; 450'  
FL Live Oak WQHL 98.1 58000 h.v.; 370'  
FL Marathon WPLC 106.3 115' (3000 h.v.)  
FL Okeechobee WWFR \*91.7 (from 91.9) 160 h.v.; 1350'  
FL Titusville WP10 \*89.3 3000 h.v.; 490'  
WJAX 98.3 355' (2000 h.v.) [1025'  
GA Athens WAGQ 104.7 100000 h.v., 79000w; /  
GA Atlanta WKLS-FM 96.1 970' (99000 h.v.)  
GA Rome WQTU 102.3 440 h.v.; 800', now C-0 102 (not C-2)  
GA Savannah WAEV 97.3 990' (100000 h.v.)  
ID Blackfoot KLCF 97.3 (from 97.7) 100000 h.v.; 1510', RKO network

IL Chicago WQUT \*88.9 100 h.v.; 82', presumably return to air from near-deletion status (IL. Institute of Technology)  
WAGO 105.9 (from Elmwood Park IL; no longer mentions Elmwood Park in its ID)  
IL Jerseyville WJBM-FM 104.1 46000 h.v.; 525'  
IL Pekin WGLQ 95.3 2250 h.v.; 340'  
IL Tuscola WITT 93.5 3000 h.v.; 300', presumed to be coming back on the air with \$, rock  
IL Winnebago WYFE 95.3 1230 h.v. (510')  
IN Chesterton WDSO \*89.3 (from 89.7) 410 h.v., directional antenna, 180'  
IN Indianapolis WTP1 107.9 22000 h.v.; 760'  
IA Des Moines KRNO 102.5 1260' (100000h.v.)  
IA Grinnell KDIC \*88.5 130 h.v. (120')  
IA Sioux City KSEZ 97.9 100000 h.v.; 1000'  
KS Hutchinson KSKU 102.1 1030' (100000 h.v.)  
KS Russell KCAY 95.9 1350 h.v.; 485'  
LA Shreveport KVKI 96.5 100000 h.v.; 870'  
KY Somerset WDCL \*88.9 100000 h.v.; 500'  
ME Augusta WRDQ-FM 92.3 50000 h.v.; 500'  
MA Boston WUMB \*91.9 1000 h.v.; 210'  
MI Charlotte WMMO 92.7 1000 h.v.; 465', reduces coverage to 14, 44 miles  
MI East Lansing WFMK 99.1 180' (28000 h.v.)  
"Yes, I, too, noticed WFMK drastically reducing their HAAT," writes Phil Boersma. "WFMK rarely makes it here now; WMYX Milwaukee is the dominant on 99.1. Lansing FMs all seem to have anemic signals. WITL 100.7 is another one that gets dropped out by Wisconsin here (WRKR Racine). Only WJIM-FM 97.5 has a really good signal here, also WVIC-FM 94.9, whose transmitter is situated so that they have secondary coverage of Grand Rapids. WJXQ (Jackson) 106.1 (D-106, strict), is usually dominated here by WHIL 106.1 Waukegan WI, and WGBM 94.1 (Jackson) has an incredibly weak signal, even though there is no one else on the frequency across the lake to bother them."  
MI Mount Clemens WLSB 500' (50000 h.v., rock, MI Tawas City WKJC 104.7A (from 103.9, not moving to 99.3), stays 3000 h.v.; 300'  
MS Jackson WJSU \*88.5 200' (3000 h.v.) [780'  
WITYX 94.7 1135' (100000 h.v.) [780'  
MS Mississippi State WMAB-FM \*89.9 100000h.v.  
MS Lumberton WLUN 95.3 290' (3000 h.v.)  
MS Wesson WCLL \*90.7 (from 92.9) 100 h.; 180'  
MO Columbia KCMQ 96.7 to stay at 3000h.v.; 160'  
MO Kansas City KM8R 99.7 1000' (98000 h.v.)  
MO Liberty KKCI 106.5 1200' (100000 h.v.); 260'  
MO St. Charles KCLC \*89.1 26000 h.v., 23000w; /  
MO St. Louis KEZK 102.5 100000 h.v.; 750'  
MT Butte KOPR 94.1 100000 h.v. (1840')  
MT Kalispell KBBZ 98.5 60000 h.v.; 2310' h.v.; 855'  
MT Miles City KMCM 92.5 (from 92.7) 100000 /  
NV Las Vegas KITT 96.3 100000 h.v.; 1175'  
NY Mount Kisco WVIP-FM 106.3 1600 h.v.; 4400'  
NY New York WCB5-FM 101.1 6800 h.v.; 1350'  
WLTW 106.7 7800 h.v. (1220')  
NY Walton WDLA-FM 94.9 (from 92.1) 6000 h.v.; 650' (another strange assignment; not a Class B or a B-1, but something in between)  
OH Dayton WXPB \*89.5 (from 89.3).  
WOLS \*89.5 (from 89.3), sharing time  
WDAO 107.7 500' (50000 h.v.)  
OH Fairfield WLLT 94.9 16000 h.v.; 790'  
OH Kettering WKET \*88.3 13 w., 250' (from 89.5)  
UK Henley-on-Thames KDLB 95.5 100000 h.v.; 255'  
CO Woodward KWDQ 102.3 2350 h.v.; 240'  
OR Creswell KZAM 95.3 1600 h.v.; 390'  
OR Klamath Falls KJSN 92.5 60000 h.v.; 1015'  
PA Kane WRXZ 103.9 240' (3000 h.v.)  
RI Providence WPRO-FM 92.3 43000 h.v.; 530'

## FCC-FM

SC Sumter WDDM 101.3 1320' (10000 h.v.)  
TN Erwin WXIS 103.9 2450 h.v.; 330'  
TX Belton KTON-FM 106.3 1350 h.v. (490')  
TX Mercedes KGAR 106.3 3480 h.v.; 645'  
TX San Marcos KEY1 103.5 90000 h.v.; 530'  
TX Ulvalde KXJO 102.3 245' (3000 h.v.)  
TX Victoria KTXN 98.7 100000 h.v.; 245' (KTXN was believed to have been off the air for some time, but must be preparing to return)  
KZEU 107.9 100000 h.v. (360')  
UT Logan KUSU \*91.5 65000 h.v.; 1150'  
VT Manchester WEDX 102.7 800 h.v. (2490')  
VA Staunton WANV-FM 99.7 1300 h.v., directional (2210') [reduces coverage  
WA Seattle: K1SW 99.9 1150' (100000 h.v.); /  
WV Charleston WVSR 102.7 400' (50000 h.v.)  
WV Elkins WDNE-FM 99.3 200' (3000 h.v.)  
WV Hinton WMTA-FM 102.3 160 h.v.; 1010'  
WV Sutton WCKO 97.1 18000 h.v.; 750'  
WI Kenosha WJZ 95.1 29400 h.v.; (385')  
WI Oshkosh WDOJ 99.3 3000 h.v. (320') (195')  
VI Christiansted WSTX-FM 100.3 39000 h.v. /  
PR Mayaguez WKUB-FM 98.1 25000 h.v.; 1970'  
AT Harvie Heights (from Canmore) CBRC 97.9, 110 wats with new, not announced height with directional antenna continued  
AT Peace River CBXG 93.9 820 w. (new ht.; to share tower with CHFA-3 92.5; not CBZG, as on p. 121 FM Atlas, 9th edition)  
BC Harrison Hot Springs CBVH 96.7 (from 92.5; never having moved to 92.5 as anticipated interference from CJAZ 96.9 Vancouver never materialized)  
NB Campbellton CBAA 88.1 (not 90.5—temporary assignment period expired)  
NF Deer Lake CBDT 96.3 665 with new, unannounced height  
NF Stephenville CBCN 88.7 (from 89.7—to eliminate interference to Coast Guard communications)  
ON Ottawa CKBY 105.3 94000 h.v. (1080')  
PQ Marsou CBGA-102.1 98.3 (not 89.3)  
DR San Francisco H1B1-FM 102.3 (from 101.9), 1S SCA (occasional audio, like sports or AM relay)  
CALL LETTER CHANGES  
AK Anchorage 97.3 KDEJ [month  
AK Wasilla 99.7 KNEZ; hopes to be on this /  
AZ Bullhead City 102.7 KCRF (was KRHS-FM)  
AZ Clifton 95.3 KXJ (KNAI)  
AZ Flagstaff 92.7 K224BH (seeks 95.3)  
AZ Miami 98.3 KOSS  
AR West Helena 104.9 KCLT (KOEE)  
CA Fresno 101.1 KFGF-FM (KFIG)  
CA Lompoc 92.7 KXCE-FM ("KLPC"-FM?), k  
CA Manteca 96.7 KSIQ (KROI)  
CA Santa Barbara 97.5 KKOQ-FM ("KTMS-FM)  
CA Sacramento 96.9 KSAC (KROY; historic KSAC [AM] calls in Manhattan KS changes to KKSU)  
CA Temecula \*88.9 KRRR (KRTM)  
CA Tuenish Harts 95.5 KKBN  
CO Lakewood 102.5 KRXY-FM (KPPL, now r, Y-108 (strict; sometimes adds "and 1600 AM")  
CO Silverton 103.9 KDFM 103.9 (KDRW-FM?)  
DC Washington 98.7 WMZQ-FM (WMZQ)  
FL Holiday 106.3 WVTY-FM (WVTY)  
FL Tampa \*90.5 WBYW (WECH)  
FL Key West 95.5 WAIL (WVFK)  
GA Augusta \*91.7 WLPE  
GA Wrens 96.7 WJWB (WRNZ)  
ID Moscow \*91.7 KRFA (KUID), now \$, c, P, duplicates KFAE \*89.1 Richland WA  
ID Pocatello 91.7 KZBQ-FM (KZBQ), RKO net, 102.5 KSEI-FM (KRBU), 1120 h.v. (990000h.v.)  
IL Chicago 104.3 WJMK (WJEZ), cm, "Magic-104" (strict)  
IL Paxton 104.9 WPXN (WDOO)

IN Decatur WMCCZ (WADM-FM)  
IN North Vernon 106.1 WINN (not WINN-FM); station in Louisville KY on 1240 is out WINN, but has changed to WLLV. "The guy owning WINN North Vernon is a friend of the WLLV people and he managed to get all old jingles, IDs, etc. from WINN Louisville to use in his North Vernon FM."  
IA Mount Pleasant 105.5 KILL-FM (KILJ)  
IA Spirit Lake 103.9 KUOO  
KS Topeka \*88.3 KJTY  
KY Allen 100.1 WMDJ-FM  
KY Fort Knox 105.5 WSAQ-FM (WVKK)  
KY Georgetown 103.1 WRMA (WAXU), rm  
KY Russellville 101.1 WBVR (WAKO); also affects Donelson 99.3 translator and Lebanon 94.3 translator, both TN  
ME Saco 95.9 WHYR (WPIG)  
MA Boston 94.5 WZOU (WCOZ), softer rock, much comedy material in use; entire on-air staff fired  
MA Lowell 99.5 WSSH-FM (WSSH)  
MA Pittsfield 101.7 WRCC (WKTQ)  
MI Kalkaska 97.7 WKLT-FM (WKLT)  
MN Ada 106.3 KMCA (KHJE)  
MN Waseca 92.1 KOWO-FM (KODE)  
MN Clarckdale 101.7 WWUN (WJBC)  
MS Newton 106.3 WNNW (WMYQ-FM), p. 33 new FM Atlas add under "Newton," "106.3 WNNW."  
MT Hardin 95.3 KATM (KHON-FM); probably back on air, or will soon be back on air  
NE Alliance 105.9 KAAQ (non-ID  
NE Fremont 105.5 KFMT (KHUB-FM); m, no /  
NV Las Vegas 97.1 KYRK-FM ("KEER"), 15000 h.v.; 1810'. NV Sparks 92.1 KROY  
NM Eunice 100.9 KPCE  
NM La Luz 92.7 KPSA-FM (KALG-FM?)  
NY Canton \*96.7 WJGT (WLSU); see "New FM Stations" for data on the new WLSU \*89.5  
NY Manlius 95.3 WAQX-FM (WAQX)  
NY Newburgh 103.1 WGNV-FM (WFMN)  
NY Watertown \*90.9 WNYW  
NC Burlington 93.9 WZZU (WBAG), Z-94, rock, 100000 h.v.; 1880'; to serve Raleigh  
NC Charlotte 95.1 WRDQ-FM (WROD), 95-Q slogan assumed dropped  
NC Thomasville 98.3 WTHP (WEYE)  
OH Cleveland 99.5 WGAR-FM (WKSU), still k, not a nonID—an IDer, of course!  
OH Xenia 95.3 WBZI-FM (WBZI)  
OR Enterprise 92.1 KWVR-FM  
OR The Dalles 97.7 KACI-FM (not KMCO, which is on 104.5)  
PA Lancaster \*90.3 WJTL (WPTG)  
PA Jersey Shore 93.5 WJSA-FM (not WJSA); not on air as was expected in September.  
PA Russell 103.1 WSGI  
PA State College \*91.1 WPSU (WDFJ); adds ID with University Park, pc  
SC Charleston \*88.9 KPOC—obviously an error, but list as a "K" station for now!  
TN Etowah 103.1 WVKV (WCPH-FM)  
TX Borden 98.3 KHLK (KORR)  
TX Brewfield 103.9 KKTG  
TX Corpus Christi \*81.9 KBNJ (KFLB)  
TX Dallas 105.3 KOZY (KOAX)  
TX Delano 104.9 KLAQ (KALK), rm  
TX Floydada 93.3 KLLP  
TX Mesquite \*88.3 KOEM; on air in Stereo, heard testing with kr, "good stereo signal."  
TX Odessa 98.3 KXTD  
TX Rockport 102.3 KPCC  
TX San Antonio \*89.1 KSTX (KURU) [2560'  
VT Rutland 98.1 WJUR (WHVZ-FM), 1175 h.v./  
WA Bremerton 106.9 KHIT (KVA-A), top 40/r  
WA Pasco 98.3 KTCW  
WA Toppenish 92.7 KZHR (KEVE-FM)

WA Walla Walla 97.1 KAFR-FM (KHIT-FM)  
WV Parkersburg 99.3 WMGP (WBZ)  
WI Spencer 92.1 WJMA  
WI Trempealeau 105.5 WKDL  
WY Penit 92.5 K1ZY (KPCC-FM), m  
BC Kamloops 97.5 CHRR-FM, "K-97"  
PE Charlottetown 96.9 CBCT-FM (CBCT)  
NF Marystown 90.3 CBNM-FM (CBNM); there is a 10000-watt CBNM AM in Marystown)  
PQ Carleton 94.9 CIEU-FM-FM  
CALL QUESTIONS: Calls "changes" that have been suggested but which I am not using until better word is received about the existences of AM affiliates with like call letters. In the case of the Canadians, I suspect the AM station (often in a different city) is a low-power relay transmitter which will probably soon delete, and can be ignored.  
AR Texarkana 107.1 mentioned as being KTWN-FM (not KTWN, but I see no evidence of there being anywhere a KTWN [AM]).  
TX Kingsville 97.7 KDUV-FM (not KDUV; but I see no evidence of a KDUV [AM]).  
AT Chatham 103.5 CBXA-FM? (CBXA said to be in Mica Dam BC)  
AT Courts-Milk River 90.9 CBRA-FM? (CBRA said to be in Revelstoke BC)  
AT Exshaw 100.7 CBRE-FM? (CBRE said to be in Lytton BC)  
AT Fort Mc Murray 99.3 CBXN-FM? (CBXN said to be in Mc Bride BC)  
AT Fox Lake 96.9 CBXX-FM? (CBXX said to be in Pemberton BC)  
AT Grande Prairie 102.5 CBXP-FM? (CBXP said to be in Tahsis BC)  
AT Manning 105.5 CBXM-FM? (CBXM said to be in Mc Bride BC)  
AT Pincher Creek 97.5 CBYP-FM? (CBYP said to be in Pincheon BC)  
AT Red Deer 102.5 CBRD-FM? (CBRD said to be in Field BC)  
AT Swan Hills 91.5 CBXS-FM? (CBXS said to be in Midway BC)  
BC Fernie 97.7 CBZB-FM? (not CBTH (mistake in previous FM Atlas, too)  
MB Brochet 101.5 CBDE-FM? (CBDE said to be in Dawson YT) [Grande Cache AT)  
MB Iford 94.7 CBFW-FM? (CBFW said to be in /  
MB Sharnattawa 105.1 CBGG-FM? (CBGG said to be in Casler BC)  
NF Baie Verte 97.1 CBTB-FM? (CBTB said to be in Bellefleur BC)  
ON Sudbury 98.1 CBON-FM? (CBON said to be an English language Axi station with 1000 wats in Manitowick PQ)  
SA (or is it SK?) Buffalo Narrows 103.5 CBKD-FM? (CBKD said to be in High Level AT)  
SA Cumberland House 94.9 CBKV-FM? (CBKV said to be in Radium Hot Springs BC)  
SA Denare Beach 94.3 CBKO-FM? (CBKO said to be in Coal Harbour BC)  
SA Fond du Lac 100.1 CBKG-FM? (CBKG said to be in Granville BC)  
SA Ile-a-la-Croix 105.1 CBKC-FM? (CBKC said to be in Fort Vermillion AT)  
SA Island Falls 105.1 CBKN-FM? (CBKN said to be in Sleaford BC)  
SA La Loche 95.5 CBKE-FM? (CBKE said to be in Fort Chipewyan AT)  
SA La Ronge 105.9 CBKA-FM? (CBKA said to be in Stewart BC)  
SA Meadow Lake 98.5 CBKI-FM? (CBKI said to be in Blue River BC)  
SA Montreal Lake 93.3 CBKL-FM? (CBKL said to be in Alice Arm BC) (be in Valemount BC)  
SA Stanley Mission 95.5 CBKF-FM? (CBKF said to /  
SA Stony Rapids 93.3 CBKH-FM? (CBKH said to be in Bow Mountain BC)

FORMATS/NETWORKS

AZ Kingman KGMN 100.1 m [middle of the road]
AZ Parker KMDX 98.3 m
AR Arkadelphia KDEL 100.9 m, has good-sounding AR Radio Network
AR Camden KWEH 97.1 r [rock], still FM-87
AR El Dorado KCAJ 95.9, "FM-96," k, has an "excellent signal"
AR Hot Springs KSPA 96.7 b (not k, rarely IDs) KACQ 106.3 Y (ABC Contemp.) network
AR Texarkana KTKW (no mention of there being a "KTKW-AM," ) 107.1 k
CA Mission Viejo KSBR \*88.5 no P, no Dolby, just jazz, no paid staff, students running the station only about 5 hours per day Monday through Friday.
CA St. Helena-Napa KVYN 98.3 m (still K-87)
CA San Francisco KMEL 106.1 (still "Camel-106")
CO Castle Rock KADX 92.1 all j, 24 hrs.; temporarily without stereo but stereo will be resumed
CO Grand Junction KVEE 92.3 bc [carries Parkway c from 7-9 p.m. local time]; affects all 42 translators; coverage radiated from Glenwood Springs 102.3 translator said to be greater than that of KVEE itself, which has a low tower and only horizontal polarization.
CO Greeley 92.3 UPL network
FL Jacksonville WJAX-FM 95.1 s [oul]
GA Atlanta WREK \*91.9 R [KO] network
GA Macon WPEZ \*91.9 S [AP network; was NBC]
GA Smyrna WQXI-94.1 rock and jazz (jr)
ID Boise KJOT 105.11 (ABC-Information)
ID Emmett KMFE 101.7 U/L Macomb WKAI KDPI 98.1 Y 100.1 r, "K-100"
ID Lewiston KLLS \*88.9 m
ID Nampa KBNV 96.9 U
ID Potomac KPKY 94.9 M [mutual]
ID Roxbury KADQ 94.3 M "KRIC \*100.5 c, S
ID Salmon KSRA-FM 92.7 m, A[BC-FM]
ID Sandpoint KPND 95.3 U
ID Sun Valley KSKI-FM 93.5 m
ID Twin Falls KEZJ 95.0 t (CBS RadioRadio)
ID Weiser KWEL-FM 99.3 m, CBS
IL Chicago WNIB 97.1 c (ethnic on late, like 4-6 a.m.; which program is not carried on duplicating station WNI-FM 96.9 Zion IL)
IL Skokie WCLR 101.9 m
IL Mendota WGLC-FM 100.1 m, still mono, very overprocessed, sounds band on FM.
IA Grundy Center KGCI 97.7 m, FM-98
IA Iowa City KSUI \*91.7 SP networks
IA Osceola KJJC 107.0 t (ABC Direction)
IA Okaloosa KOSK 104.9 m, \$, no verbal, very difficult to receive in car
LA Dubach KPCH 97.7, "a peach of a radio station...very well programmed," m
KS Leoti (pronounced Leota) KWKR 98.9 O net.
KS Oberlin KFNF 101.1 Mutual; no dual city ID, although simulcasts with McCook NE 1300 AM.
KY Catlettsburg WCAX 92.7 m
MI Caro WIDL 104.9 m
MI Hancock WZRK 93.5 m (soft rock)
MI Lansing WLS-FM 101.7 m, "LS-102" (very)
MS Cleveland WQAZ 92.7 k [country]
MS Greenville WDMS 100.7 m, no non-ID assumed
MO Branson KRZK 106.3 r
MO Kansas City KUDL 98.1 m
KPRS 103.3 r
MO Marshfield KTOZ 104.9 rock
MT Glasgow KLAN 93.5 m
NE Aurora KIAE 103.1 p (when on, is on 10 am to 10 p.m., almost no commercials; takes frequent hiatuses), U network, no non-ID
NE Crete KTAP 103.9 RKO network (must not have satellite dish, as quality was very poor)
NE Holdrege KKTY 97.7 k, still mono as is KTAP.
NE Omaha KGBI 100.7 "IMS" news, not NBN--Moody network?
NJ Eatontown WHTF-FM 106.3 m

NM Bayard KLCJ 92.7 k
NY Jamestown WWSW 93.3 U network (x-RKO)
NY New York WKTU 92.3 rock
OH Cleveland WCPN \*90.3 jazz and news, P[NPR] --was to be on by now. Stereo? Carried 1TB for the blind in August, but said to have stopped as of 9-1; assume it will resume.
OH Conneaut WGOJ 105.5 S (g format confirmed)
OH Youngstown WHOT-FM 101.1 no UPL, r
OK Okmulgee KQBC 94.3 m
OK Pault Valley KGOK 97.7 m
OH Johnstown WZTT 103.1 r rock and soul
OR Astoria KMUN \*91.9 jazz and classical (jc)
OH Fostoria WF08-FM 96.7 m [still Q-102, CBS.
PA Du Bois WQWD 102.1 all k, still monaural/PA Du Bois WJKR 103.9 r (not m)
PA St. Marys WKBI-FM 94.3 r, "Rock-94," no network
PA Sharpville WMGZ-FM 95.9 no RKO network
PA Towanda WTTT-FM 95.3 m, not r SD Millbank
SC Seneca WBFM 98.1 m, not by KBEV
SC Waltherboro WALD-FM 100.9 m, still in network
SD Mabrige KOLY-FM 99.5 r, still 1 network
SD Pierre KGFY-FM 92.7 r (hits via satellite), strict K-93, heard giving legal ID only at :53.
TN Dickson WTNQ 102.3 k
TX San Angelo KWLW 93.9 m [if stereo.
TX Texarkana KTKX \*91.5 jc ON AIR, not sure /VA Marion WNEV-FM 93.9 r
WA Pullman KQQQ-FM 104.9 m
WV Wheeling WOVK 97.3 k, p. 39 new FM Atlas map list as WOVK (not WKWK) /Mexico/Tijuana
WI Waupun WGGQ 99.3 r XHZ 90.3 s
WY Douglas KATH-FM 99.3 m
WY Laramie KCGY 95.1 k
PQ Baie Comeau CBSI-24 106.1 m, mono
PQ Sept Iles CBSI 98.1 m
MULTI-CITY IDENTIFICATIONS
CO Colorado Springs-Pueblo KILD 93.9 adds Denver, non-ID is Kee-Low, not KILQ-94 (strict)
GA Gainesville WF0X 97.1 adds Atlanta; now Fox-97 non-ID; tX (data, etc.) SCA, still r, but now from a 1700' tower in southern Hall County with a tower accident killing 23-year-old Bobby Ray, who was working near the top.
IA Ames WOI-FM \*90.1 adds Des Moines
IA Iowa City KRNA 93.9 adds Cedar Rapids
KS Hutchinson KHCC \*90.1 adds Wichita
MI WQLR 106.5 Kalamazoo-Battle Creek-Grand Rapids, almost always uses "Clear 106" with call letters.
MI St. Johns WKLH 92.1 adds Lansing, still K-92, k (non-ID use is strict)
OH Sylvania WYWM 105.5, adds Toledo, mr
PA Martinsburg WJSM-FM 92.7 adds Altoona
SC Greenville WLFJ \*89.3 adds Anderson
TX Lamesa KIOF 104.7 adds Odessa-Midland-Big Spring
WI Dodgeville WDMP-FM 99.3 adds Mineral Point
STEREO OR TO BE STEREO



PO. Box 11111
Denver, CO 80211
CO Denver KUVO \*89.3 je, P, Spanish (bilingual, with English), target date April, 1985
CO Sterling KVR5 105.5, r
CO Wray KRQZ-FM 98.3 m, RKO network
IN Goshen WCGS \*91.1, Mutual
NY Olean WBJZ 100.9
NC Elizabeth City WKXJ 96.7 k, "Kix Radio"
ND Four Bears KMHA \*91.3, ke
PQ Cap aux Meules CFIM 92.7, mr
TX Bryan KKY5 104.9, m
TX Fairfield KNES 92.1, k

October, 1984
IL Carthage WCAZ-FM 92.1 starting stereo?
TX Palestine KYYK 98.3
MS Halifax-Dartmouth CFRQ 104.3, Q-104
NO STEREO? (Stereo not heard on)
IA Des Moines KDMI 97.3
DELETIONS
PA Lehman WPSU \*89.1 "station went off a year ago, building housing station was razed, according to Nancy Fay, ex-program director," and relayed through Franklin Reese.
WA Longview K212AH \*90.3, displaced by new Longview FM station on 90.3. Presumed deleted, but may seek new frequency.
OFF THE AIR
CO Colorado Springs K204AB \*88.7
CO Manitou Springs K205AE \*88.9
CO Wray K237AK 95.3
PA Philadelphia WPEB \*88.1, as of 8 to 9 months ago
FMISTAKES, THIS COLUMN
p. 31 August VUD GA Statesboro WVGS, not WVUG \*91.9
SC Ravenel WGOX 101.7, change town spelling from Ravenel; town located at 32:45:80-10.
BC Port Alberni, May '84 VUD, p. 92 calls reversed. 98.1 is CBTO and 94.9 is CBUF-8.
FMISTAKES--9TH ED., FM ATLAS
AL Birmingham p. 28 map WXXX 106.9 (not WKYX)
AL Selma, p. 28 \* symbol for WPCSt omitted
AR Fort Smith, p. 59, 100.9 KFPW (not KXXI)
AZ Parker, p. 69, \*90.1 KWFF missing (KVI/PI)
CA Happy Camp, p. 70, 103.1 KRWO; (not /CO Placerville, p. 64 105.5 KODT \* symbol is missing)
FL De Funiak Springs, p. 30, WQUH 103.1 /FL High Springs p. 86, 104.9 AKAE calls missing
GA Valdosta, pp. 29, 31 92.9 WAAC (not WGOV)
FL Tallahassee, p. 128 WmNX 95.9 no RKO; has no RKO, change all listings for no network.
FL Tampa, p. 31, 93.3 WFLA (not WDJC)
GA Augusta, p. 26 105.7 WFMG (not WYMX)
GA Griffin, p. 118 97.7 WKEU-FM (not WPUPI)
GA Savannah, p. 26 95.5 KVXV (not WSGF)
GA Waycross, p. 29 97.7 WMMU calls missing
CT West Hartford, pp. 16, 86 \*88.3 WPKT; (not WPBH)
HI Pukalani p. 87 98.3 KMVI calls missing
ID Twin Falls 96.5 p. 126, not Twin Falls
IL Greenville p. 42 101.7 WGL (not WJEL) p. 44 101.7 WGEI omitted
IL West Frankfort p. 42 WFRX 97.7 (not 97-97.7)
IA Fort Dodge p. 89 \*88.1 KICB calls missing
KS Phillipsburg, p. 56 change 92.5 to KQMA, which has tX SCA (telemetry chirps) add 95.3 KKAN
KY Hazard p. 116 \*90.9 omitted (WEKH), 1190', 50000 h/v
KY Hardinsburg p. 43 94.3 WHIC (not WGGKY)
LA Shreveport p. 59 96.5 KVKI (not KEPT)
MD Bethesda p. 25 102.3 WTKS (not WHFS)
MI N. Muskegon p. 93, remove "r" immediately in front of 98.3; p. 40 WFMF calls missing.
MN Osakis p. 48 103.9 KBHL calls missing
MS Jackson p. 94 \* symbol missing from WJSU 88.5 (using good ribbons, but a problem with them not always printing the top of that symbol; also missed some \* symbols).
MS Columbus p. 28 WMMUW \*88.5 (not 88.7) [KFMP]
MO Cape Girardeau p. 36 KEZ5 102.9 (not /MO Carthageville p. 38 103.1 KLOW (not KCRV)
MO West Plains p. 35, incorrectly shown as "White Plains"
NE Imperial, p. 56, town name should be in larger type [NM]
NH Manchester WGI-R-FM 101.1 p. 133, NH, not /Map p. 80 has strange "Z" at top (in NM)

NJ Atlantic City p. 96, three stations listed on lines under "Asbury Park" all belong in Atlantic City.
ID Twin Falls p. 40 KCR 90.7 \$ symbol missing
NC Southport p. 27 107.1 WJWY (not WLFC)
NH Newark p. 20 100.3 WHITZ (not WVNJ)
OH Washington Court House, p. 99, misspelled OR Asia p. 72 100.9 KFAT (not KLOO)
PA Du Bois p. 100 102.1 WOVW (not KOWQ)
PA Mercer add 96.7 WXTX to p. 39 map [omitted PA Nanticoke p. 118 WMMJW 92.1 \$ symbol /PA Pittsburgh p. 39 map WHTX calls should be used for 96.1, not WYXK]
SC Gaffney p. 116 \*91.1 WYFG missing (580', 98000 h/v, directional antenna, S network)
SC Manning p. 26 92.1 WTWE (not WXTL)
TX Pearland p. 104, town misspelled
WI Madison p. 46 98.1 WMSN (not WISM)
TN Chattanooga WDEF-FM 92.3 p. 119 is "FM-92," not "FM-37" [omitted]
WY Evanston p. 107 106.3 KOTB \$ symbol /AT Bassano, port dot near town, map p. 76
BC Gagnon p. 76 delete reference to (not on map)
NF St. John's p. 30 99.1 CKIX (not CJUX)
NS Sydney p. 108 CBI-FM 105.1 (not 105.9)
ON Burlington (name of town) missing from in front of CING, p. 109
ON Leamington p. 41 103.1 CBEF-1 (not CBEF)
ON Kingston p. 18 99.5 CJB-C2 (not CJB-C)
ON London CJBX 92.7 p. 110 shows coverage, but p. 120 lists no height; should be 400'
PQ Perce p. 79 show twice on main map
PQ Sherbrooke, p. 14 95.5 CFLX (not CBLX)
SA Patuanak p. 140 CBKK 105.5 omitted (82 w) p. 141 no Canadian stations shown on 106.3. They are: BC Pritchard CFM-7-1185' 61 watts, DA ON Peterborough CJB-C-5 9500 h/v ON Sarnia CBEG 376' 50000 h/v [missing MEXICO Mexicali p. 69 104.1 XHBA \*symbol /San Luis p. 80 delete from map]
SLOGANS/NON-IDS
AL Troy WIGC 105.7 Music Country-106 (from FM-106)
AR Ruston KAKI 107.1 FM-107
AR Fordyce KQEW 101.7 Hit Radio
AR Hot Springs KSCB \*90.1 FM-90, M8N (Moody Bible Network), KWBO 97.5 FM-97, CBS
AR Little Rock KLPQ 94.1 94-K Country
KLAZ 98.5 Z-98, now rock
AR Jacksonville KEZQ 100.3 EZQ (b), "Weakest of the Little Rock area stations"
AR Magnolia KVMA-FM 107.9 Stereo-108, Transar network, rock
AR Murfreesboro KJKK 95.3 J-95, k (not r)
AR Pine Bluff KFPE 92.3 Foxy Country, but is it k music?
AR Ruston KXKZ 107.5 ("in well") KZ Country
AR Warren KWR-FM 105.5 Magic-105
CO Brush KBUL 107.1 no non-ID
CO Pueblo KUVO 99.9 K-View, mr, no SCA
CO Yuma KJCO 100.9 KJ... FM-101, r
CO Windsor KUAD 99.1 FM-99 [h/v]
FL Palatka WNF1 99.9-100, r, A, 1200' (100000')
IL Elgin WJKL 94.3 JKL
IL Streator WSTQ 97.7 98-QFM, rock
IN Elkhart WFRN 104.7 no non-ID [strict]
IA Cedar Rapids KHAK-FM 98.1 K-Hawk (not /IA Dubuque KATF 92.9 The Cat
IA Iowa City KKRQ 107.7 Hit-101, dual city ID with Cedar Rapids, rock
IA Delwin KQEL-FM 92.3 Country-92, I network
MI Birmingham WMMJ 94.7 no non-ID
MI Detroit WCYZ 9.95
MI Grand Rapids WGRD 97.9 98-Rock (not strict)
MI Holland WIKLQ 94.5 94.5-KLO, and they do give legal IDs, only about at :50 past each hour, said very quickly by the DJ: "94 point 5, WKLD Holland-Grand Rapids"

KY Russellville WBVR 101.1 The Beaver
MI Niles WAOR 95.3 95-FM
MO California KZMO 94.3 D network at :00 (\$, k, simulcast with AM 1420, has Royals Baseball)
NE Lincoln KLIN-FM 107.3 FM-107
NE Mc Cook KZMC 105.3 Z-105
OH City WMEK 100.9 in English "101-Experience." Mentioned 75% English, 25% Spanish programming. Changes over at 1800 daily. OK Ardmore KEBQ 92.1 Q-92
OH Bowling Green WRON 93.5 no non-ID
OH Sandusky WCPZ 107.7 Leisure Rock 103
OH Toledo WIOT 104.7 FM-104; has music SCA
OH Wapakoneta St. Marys WAXC 92.1 FM-92
OR Newport KHVS 102.5 now r, K-102 (strict), still 1 net, in mornings when simulcasting KNPT.
OR The Dalles KMCO 104.5 still r, Q-104 (strict)
PA Scranton WBDL 104.9 Stereo-104 (not stereo-1051)
TX Commerce KETR \*88.9 FM-89
TX Sherman KZXL 96.7 XL-96% (ny-97)
VA Newport News WNSY 97.3 Y-97 (from Sun-/AT (or is it AB?) Calgary CKRY 105.1 RY-105
AT Edmonton CKUA-FM \*94.9 Access Radio
ON Hearst CBCC 91.9 CBC
SA Prince Albert CFMh 99.1 99-FM
SA Regina CFMQ 91.1 Q-92
MEXICO XHZ Tijuana BJ 90.3 Z-90-FM
SCA/SCMO (t) 67 or 92 kHz
CA Los Angeles KHOF 99.5 no SCA
CA San Diego KFSD 94.1 tX, KQBQ 101.5 tX
KQBQ-FM 105.3 tX ("KQWN-FM 92.1 and XHRM 92.5 have same music")
CA San Francisco KALW \*91.7 tE (Chinese; identical to the SCA of KDFC 102.1)
CA Santa Monica KCRW \*89.9 tE (Russian TV soundtrack, etc., having moved from KHOF)
CO Colorado Springs KKCS 101.9 no SCA
CO Denver KCFR \*90.1 tX (not a talking book SCA any more, apparently, although person I talked there was not sure)
KYGO 98.5 tX (data)
CO Morrison KWBI \*91.1 no SCA
CO Pueblo KZLO 100.7 music SCA, still Z-100
IL Alledo WRMJ 102.3 tX (67 kHz)
92 kHz is here!
Are you ready?
IL Aurora WAUR 107.9 92 kHz tX data with tones at times; I suspect tone paging
IL Chicago WLAK 93.9 92 kHz with very low-level data (not high enough to be qualified tX)
WGCJ 107.5 tE [ethnic] 92 kHz, same as at 67 kHz; suspecting stereo SCA use!
IL De Kalb-Rockford (dual-city ID) WNIU \*89.5 92 kHz carrier, ready for something!
WY, WXTK 93.1 has rock music on 92 kHz, easy-listening music on 67 kHz. 92 "h v rock vocals, too.
IL Le Roy WMLA 92.7 tX [167kHz]
IA Cedar Falls-Waterloo KHKE \*89.5 music /MS Jackson WMAA-FM \*91.3 to have talking book for the blind, as well as the other MS ETV-FM stations. WMAA-FM itself said to be still off the air, while the other stations are. Gives IDs at 8 a.m. (and possibly other times), but not each hour; received one of my famous blasting post-cards in the hopes their performance will improve.
NE North Platte KELN 97.1 92 kHz voice pag. [unclear] carrier on all the time
NE Omaha KESY 104.5 no SCA (had data)
NC Charlotte WBCY 107.9 tX (67 kHz)
NC Asheville WRXJ 99.9 tX (92 kHz); no 67 kHz SCA. NY Albany WHRL 103.1 92 kHz Mutual news relay to WSRD-WZRR
Johnston NY (67 kHz tX) My new radio and electronics catalog is ready now, complete with a poem by Baruch L. Vine. It's free, but a 20¢ stamp would be appreciated.

October, 1984
OH Cleveland WCLV 95.5 tX WLTF 106.5 tX
WDTW 107.9 tS (occasional audio, "RKO Satellite Newline" [RKO news, commercials and public service announcements]), norw "FM-108." [main carrier]
OH Norwalk WKLR-FM 95.3 no SCA, r on /OH Toledo WKLR 99.9 no SCA
TX San Antonio KLSM-FM 100.3 1P (voice paging at 67 kHz)
WI Milwaukee mystery station "to left of WHAD Defield 90.7" heard with radio receiving service not on 67 kHz; WYMS at 41 kHz or WUWV at 92 kHz?
PR Guayama WSR4 106.9 tS (occasional audio)
PR Ponce WZAR 101.9 has 92 kHz SCA, with WUND AM on it; PR's first 92 kHz SCA?
PR Rio Piedras WFDD 95.7 tH.
PR San Juan WIAC-FM 102.5 tH. (WIAC AM); WKAQ-FM 104.7 tH. (WKAQ AM)
VI Christiansted WJKC 95.1 tX (xmtr control) "lie 95," or "lie 95"?
NB Fredericton CKHJ 93.1 tX (xmtr control)
ON London CIXX 106.9 t music (muzak)
ON Toronto CHFI 98.1 57 kHz? "For traffic information broadcast over main channel"
PD Rouyn CHLM 96.5--to carry CKRN (AM)
Rouyn to supply future broadcasters, coded tTW
READERS' REPORTS
Bill Falber and I have jointly started subscribing to an FCC news release messenger service. All FCC "Broadcast" releases will be mailed direct to Bill (and the TV column) and then to me. The service began as of the last week of August, and we will evaluate how useful it is as we go along. It is expensive--\$20per month plus costs of photocopying hundreds of pages and mailing. This should help give us more accurate information, although knowing the FCC, there will still be errors and incomplete data (such as never telling when a station or translator deletes). And the FCC no longer notifies (or even finds out for itself) when stations abandon an SCA, identify with more than one city, take up stereo, or quit any of those.
Richard Reese, who spotted a majority of the errors in the new FM Atlas, nevertheless, says "I must congratulate you on this edition. It has a lot less errors than the previous edition." He said anyone interested in public radio in Mississippi can get their Prime Guide at no cost from: Public Radio in Mississippi, 1920 Dunbarton, Jackson MS 39216. They also welcome questions and suggestions," so your reminding them to give full, complete legal IDs for each of their transmitters each hour would be the thing to do. That will aid your fellow DXer in identifying these stations as they skip or duct out.
KUVO \*89.3 Denver will broadcast from the tower of KRMA (TV), channel 6. Bill Falt says, "As I have done with previous editions, I am going to copy the E. Ontario-Southern Quebec map and relocate it to the top of page 14 (of the 9th ed. FM Atlas), where there is less clutter." After all, Quebec is much closer to Maine than it is to Puerto Rico."
WCOZ 94.5 Boston changed calls to WZOZ and modified its format because of very poor ratings, says R. H. Perrin.
KUID \*91.7 Moscow ID was off the air and returned as KRFA, a clone of KFBE \*89.1 Richard WA.
My new radio and electronics catalog is ready now, complete with a poem by Baruch L. Vine. It's free, but a 20¢ stamp would be appreciated.

"Please bring back the Dolby indicator listings. Diversity antenna switching and the new, low-noise stereo circuits like those used by Carver and NAD almost certainly mean Dolby FM will eventually die out, but I'm deep fringe to any station worth listening to and have the adapter. If a station is still broadcasting Dolby, I'd like to know about it without having to listen carefully to make sure. In Bryan, Ohio, the classical music listener appreciates the Dolby benefits!

"As of 9-3-84, WUOM 91.7 Ann Arbor is still Dolby, and scheduled broadcast of the calibration tone is at signoff, 1 a. m., each Tuesday. There is, by the way, no particular reason why a Dolby station has to send the tone at all, let alone frequently or in mid-day (though WUOM engineer Jim Fassenberger is a Dolby fan himself and will send it by appointment if asked). The tone is useful only for the calibration of a listener's add-on decoder, and the need is a one-time thing, and infrequently arises. You can't fault the program manager for not wanting to devote a lot of prime air time to this service." Dolby is, of course, dead, and WUOM may be the last station to offer it. The Dolby company has lost interest in Dolby FM and no longer promotes it, so only a few engineers may keep it going. No longer are Dolby station data reliable, so I am in no position to advise my readers which are the remaining stations with it—and I do not want DXers to write in this column with Dolby news. Whatever you send might be obsolete right away, with stations dropping Dolby like flies. If it was such a good technology, why didn't WFMT Chicago, with its excellent classical music signal, embrace it? I hear Optimod is a better technology, not requiring calibration tones, but I know Optimod has its opponents who say that it is just another processing system, adding its own coloration to music. Kent Salzmann, Bryan OH, is the Dolby fan.

"In the September FM News, you were correct (almost) concerning KKAS-TV. It's licensed to Fort Worth TX, and is an NBC affiliate on channel 5. It and the radio stations in Houston (KILT, KILT-FM [now KKAS-FM]) are all owned by LIN Broadcasting. Under the FCC's new call-letter policies, common calls are permitted for commonly owned stations, even though they are not located in the same market. KCBS (AM) radio in San Francisco and KCBS-TV (formerly KNXT) in Los Angeles are other examples that have been created since the policy change," declares Larry Fuss.

Sending along some FM Atlas errors was Nick Lombardi, who says on page 10 of my book that ARI SCA is for "traffic alerts, not weather." I think this is true, but to me it is a waste, unless the traffic alerts included weather-related events. I'd think a tornado moving in would influence traffic, and would have to be included. Methinks I'll have to tell Blaupunkt's Gerald Le Bow, who is bringing ARI to this country, that the system had better provide for weather warnings to be worth anything.

Nick had several comments on the appearance of my new Atlas, rather than its content. He especially did not like the cheap looking, thin, nonslick cover, reminding him of a paper bag from Kroger, and the fact that I used "those stale, economy ribbons for part of the book. . . . I am particularly distressed by the appearance of the GA map, p. 29. WRMM 99.7 Atlanta looks like someone tried to erase it! . . . I like the spacious, uncluttered look of the new maps, and urge you to continue with your 'map modernization' program. One candidate for immediate attention is Maryland, page 25. If you would split off Maryland and Delaware onto a separate two-page spread, you could then redraw West Virginia and Virginia. . . .

"The greater uniformity of typestyles adopted for this edition looks much better than before, especially on the Key to Symbols page. But in discussing Formats, you have made two crucial errors: 1. Album rock should ALWAYS be coded 'rp', not 'p' as you incorrectly imply. I think your misstatement may cause a rash of 'p' reports for what should really be "rp". . . . I think stations with a variety format should be coded with their two most prominent, or most used, formats. Leaving them blank is a cop-out, which really means you don't know what their format is! . . .

"You seem to have finally (after ten years) solved your vertical alignment problems, and even the State names in part I all seem straight and evenly applied. But why in heavens name did you have to mess around with and destroy the horizontal alignment of the network and SCA symbols? This really looks awful, and it gives me a headache! . . . Check out the Station Directory in the eighth edition and see how things should be done. . . . Table A on page 8 looks badly out of focus, and should probably have been retyped rather than extracted from wherever you got it from. . . . On page 121, I think it was a poor idea to split up a single station (WQXI-FM 94.1) into two pages. . . . The way you list translators now is much improved over last time. Not only does it make the Station Directory easier to read,

it also eliminates clutter. . . . I think it might be useful to indicate what your final cutoff date was for this edition somewhere under the Copyright notice on page 1. This could be done in very small print, like they do here in the Southern bell telephone book: "Corrected through June 12, 1984". . . . Finally, I enjoyed the introductory material, but your self-congratulatory 'I am an expert typewriter mechanic' statement [p. 2] seemed a little out of place."

A person I trade publications with is Alexander Wiese in Germany. Anybody interested in the European perspective on FM and TV DX might like his publication, **Tele-audiovision**, printed in German usually with a brief English run-down. His address is Postfach 80 19 65, D-8000 Munich 80, West Germany.

**K-Radio, an FM Pirate?** The NAB-NRBA joint session on radio in Los Angeles recently featured a low-powered FM station using a borrowed 10-watt transmitter, cut down to 100mw. It is the brainchild of Thom O'Hair (415-775-5643), who has had it operating in San Francisco, Los Angeles, New Orleans and the DC, but when the weekend comes the power is a bit tweaked up. It is also fed into convention hotels over an unlicensed channel (MATV?), and it is commercial! "It's all a little quasi-legal, but with the American and NAB flags wrapped around us, I'd just dare Mark Fowler to slap the cuffs on us!" comments broadcast consultant Jim Cameron, co-developer of K-Radio. "We run a clean operation, always choosing a good frequency with plenty of RF room (often using your FM Atlas, I may add). . . . We're also using our SCA to transmit 'Silent Radio', the LA-based LED crawl that the company of that name is making a tidy business out of."

From the Northwest Territories, Bill Hepburn comments on my policies regarding the "-FM" suffix. "I find it strange how you inflict FCC policies on Canadian FM stations. . . . Here in Canada, all FM stations have the -FM suffix as part of the official call sign. Many stations do not bother to use the suffix in IDs. But then in Canada, many stations never use any call letters either, ever. CRTC rules do not make using call letters mandatory. So the issue really is, is your publication intended to list the official call letters, some of which are never used, or is it to be used as a DXers guide to identification? (In which case, your arbitrary assignment of -FM to some stations but not to others seems silly. . . .) He's the supplier of the Canadian list of suffixed FM stations (supposedly) which have like call-lettered AM counterparts, usually in different cities. I try to impose my policy about call letters irrespective of national policy. Sometimes the FCC will issue, in the U. S., call letters like WSCD-FM (92.9 Duluth MN) when there is no like call lettered AM. In my book I will call it simply "WSCD," and in this column it would be printed as WSCD-FM."

WHOO-FM 96.5 Orlando FL is apparently still with country music, but tried the unusual stunt of playing one song for five days straight—just to emphasize its programming and hopefully improve its ratings over WWKA 92.3. The article sent by John Combs said the FCC is no longer concerned about such goings-on, leaving it to the marketplace to decide.

Larry Fuss corrected on KERG Garberville CA going to 104.3 and WKJC Tawas City MI going to 104.74. He says those appear to be isolated cases, "because the FCC is not accepting ANY applications for the new 80-90 assignments until the proceeding is finalized and the new table of assignments is adopted." He corrects on a previous note: "The ex-PD of WTX New Orleans (now at WLTS Slidell) is Robert (Bob) Mitchell, not Mitchum. And he's receiving a computer print-out issued weekly on licensed stations, CPs, applications, etc. He can supply copies of any state or states they need for 25¢ per copy. . . . I also have a computerized list available of vacant assignments which I'll be glad to provide to club members for \$5 a copy. It's updated weekly and includes the city and state, channel number and frequency, class, city and county population. Write him at PO Box 3976, Jackson GA 30233.

"I notice on the 8/84 cover of the VUD that KPSI's coverage (primary) is about 20 miles in the SE direction instead of just 15," comments Robert Grant. That's true—it's called playing the antenna height above average terrain game. You can get out over 15 miles in certain directions, just as long as your average is 15 (or 16 as I calculate it using the 100 m criterion), and you can purposely locate your tower so that the longest distance you serve is the one you want. He says "Nice seeing you and everybody else in Jamestown." True, it was a great convention.

In contrast to reports that WGHM-FM 92.1 Grand Haven MI was off the air, Phil Boersma says it is very much on the air. "Station owner wants to add vertical and go to 300 feet HAAT, too, but must raise the bucks first. They are still CBS, but simulcast with daytime WGHM, doing their own programming when the AM goes off. Schedule is 0530 to midnight Mon. through Saturday, 0700 to midnight Sundays. Format is m (true MOR, a little of everything, no hard rock, though!)"

KQXT 101.9 is being sold, but expected not to change formats. The money will enable KQXT's former owners to concentrate on Spanish language programming on two other (AM) stations they own.

From St. Catharines, it is learned that CKLN \*88.1 Toronto, with a mere 50 watts "is fuzzy but receivable." (Actually, I show CKLN as having 14 watts, possibly h & v.)

KSAC 96.9 Sacramento has rm now. KTLF-FM 104.1 Tillamook OR still not on the air. K249AA 97.7 Seaside OR has changed to Tillamook Head (south of Seaside) and has plans to change frequency. K244AA 96.7 Astoria OR off the air, hoping to relocate their antenna so the received signal from primary KPQD-FM will be more reliable. KBKN 92.9 is planning to move to one of the towers of co-owned KAST (AM) because of vandalism problems at its current site (reduced HAAT in the offering?). John M. Adams comments on stations that don't identify properly: "Some of the stations around here could use one of your 'famous blasting postcards'. KBKN 92.9 seems to be a big offender. They are automated and sometimes the automation system gets loused up and the legal ID is given at the wrong time or not at all. Sometimes, they sign on with a public service announcement instead of a legal ID. Sometimes the morning DJ on the AM forgets to turn the FM transmitter on until a few minutes after 6 and the station comes on in the middle of a song. Also, they have been known to sign off without a legal ID. KMUN \*91.9 does a better job at giving a legal ID (although they sometimes forget to give the city of license) and they're practically an all-volunteer station. KWVS 102.5 Newport is also a sloppy IDer at times. One time they went for several hours without mentioning call letters, much less a legal ID (when not simulcasting AM, they are automated with apparently the same service as KBKN). One morning recently, they gave a live sign-on, mentioning both AM and FM calls, and even made a comment about the FCC, but not their city of license. . . . I do wish you would include an alphabetical list of calls, either as a part of the Atlas or at least available separately." For the list by calls, I'll have to refer you to the best there is—Vane Jones log. Write me if you need his address.

According to Walter Patton, the CRTC has ended the freeze on applications for new stations in Vancouver/Victoria BC, Montreal PQ and southern Ontario. CBC will not be converting its AM stations to FM, and has agreed it will not be able to provide the density of transmitters it had been planning. Restrictions regarding the use of SCMO have been lifted. Until now these subcarriers have been regarded as experimental. The only restrictions are that the signals are to remain the property of the station and that approval must first be obtained from the CRTC. No mention was made of multiple subcarriers. Subcarriers are a must carry on cable. So, it looks like, for now, there is no 92 kHz SCA in Canada.

It is easier now for FM translators to change the primary station they rebroadcast. No FCC application is needed; all they have to do is notify the FCC that the change has taken place. So watch out—translators can change primary stations almost at will! Look for the day when the "untunable" translator emerges, like my beam, which could be changed to carry several FM stations during the course of a day.

Columbia's Al Germond: "I see you've been using the 'rim-shot' term to good advantage. I feel it is descriptive of stations not licensed to a central city. I feel KTKY (Jeff City) and KRES (Moberly) are rim-shot stations as far as Columbia is concerned. . . . KCXF 100.7 Harrisonville is a "rim-shot" station to Kansas City. . . . Originally as KJEE, it wasn't cutting it as a strictly local station. So, like some other stations, a power/height increase putting it into KC may perhaps make it more viable. Yet another "rim-shot" KZZC 98.9 has become more integrated into the metro area.

Licensed to Leavenworth, its 1000' tower does generate city grade over the entire city. It stands a better chance of success and I'd consider it less of a rim shot. [So rim-shotness can vary by degree—B. E.]. . . . WHYZ is not a New York City rim-shot, nor is WCLR 55.0kL. Their facilities are on parity with other stations in their areas. . . . Nor was Armstrong's KE2XCC a 'rim-shot' from Alpine NJ. But some poor nerd who puts a class A 15 miles out-

side some central city and then hopes and prays he can sell time from the rim with a spotty signal amongst a field of full Class Cs: one cannot sympathize. . . . One sees why FM went flat in the 50s. The consumer grade equipment was so poor. I must have had 40 RCA/Philco/Emerson, et al. tape radios and they all stink. Zenith made good sets, the 1949 Major is still a superb performer. . . . Curiously, all most sets needed was an extra stage of IF. "I would respectfully request that you publicly set the record straight (regarding Eric Norberg and my comments about Alw stereo, carried in a previous column). I respect Mr. Norberg's views and did not intend that the public know my feelings about this Alw manager's comments beyond your own eyes. I leave it to you to devise the best manner of presentation within your monthly forum. This is my apology and I hope there is a way you can communicate it. That set aside, I still believe Alw stereo is flawed and to sum up the comments of hi-fi salesmen in the NYC area: 'Alw stereo, why bother! . . . No Alw stereo system will eliminate tuner/stereo static, etc. . . . Have you ever heard of anything so foolish as an 11-watt pre-sunrise Alw station beating it out with fifty other occupants of some delightful hard-to-tune fun spot on the dial such as 1470 kilocycles? . . . There can only be a future for those Alw stations with coverage equal to or better than FM outlets, or in multi-band-laden districts where FM (with non-diversity reception) has rough going. Thankfully, there are fewer FM class gradations. How could a 500-watt Alw daytime at 1470 ever hope to compete with a 50/100 kW constant-coverage FM stereo outlet? . . . I am sorry the dialog on Alw stereo may have caused hard feelings, but I print what I think is interesting to my readers, even if intended to be private, just for my consumption. I will try to do so in the future in a manner that should not cause disputes between people who are otherwise of good will. Robert Grant sent some comments on AM which he asked me not to print, and I am not, mainly because they have been reshaped before, and this column is long enough this month!

Dr. Richard Wood, who is visiting me while I type this, has a new address. It's Box 5074, Hilo HI 96720. He will be up the east slope of a mountain with over-the-horizon access to the FM stations of the United States, but he likes the location because of the promise of excellent shortwave and AM reception, as well as the local climate. He's lived in Hawaii before. "It's right on the edge of the Forest Reserve and I should be able to stretch beverages of up to three miles in many directions; only difficult directions might be NW and N."

Ray Nemeck, 1424 Heatherton Dr., Naperville IL 60540, is interested in having an FM allocation in Sycamore IL, and is thinking of 106.3, if Davenport 106.5 could be called a C-1. He's also interested in Oregon IL as a possibility for a station; perhaps Larry Fuss should get in touch with him.

KDNW Duluth MN has applied for a Moose Lake MN translator, and is working with a group in Ashland WI for one. In AZ, KOPO 97.7 Marana \$, k, expects to be on by now.

Robert Goodman, whom I enjoyed meeting in Jamestown, spoke to Peter Kanze, stn. mgr. of WARY (Y-88) 88.5 Valhalla NY. "I asked him why, as shown in the Atlas, WARY seeks 88.1. He was amused because they've been discussing a frequency change internally, and wondered how the news could've leaked out. . . . Their problem is the threat of being bumped by a new 88.5 of CT Public Television. Mr. Kanze has asked DXers to help. . . . The enclosed schedule from WFUM 91.1 Upsala College NJ is to convince you to delete any format for them for future editions of the FM ATLAS. Note their reference to "non-format". When they ID they often say "free format radio". . . . I like the suggestion of format 's', sound, someone made in FCC-FM News recently. It fits the criteria of your convention chalk talk all by itself, and is certainly applicable to WFUM."

Flip back one page, Robert, and read Nick Lombardi's comments that better supply formats for all stations; otherwise, I am guilty of copying out what I can do with. Flip it to rotate formats. . . . one edition calling it p, another etc. etc. I used to do this with WXFw Elmwood Park IL, which had c, m, j and even v (who remembers the rock program "Triad"? You are welcome to submit a rotational chart, when I could follow for that station, since two definite musics do not seem to dominate.

Jim Pizzi heard Cordoba VER on 92.1, and wonders if XHPT 91.9 changed frequencies. August VUD column Cartersville GA was spelled Carterwillia. WRFG \*89.3 Atlanta having music programs; still k. Three church groups are trying to put FM stations on in or near Anchorage AK. A local area arts paper mentions a "KCAT 91.1 Ellensburg WA. A cable station? Charles George sends word about intense competition in Dallas for the artsy audience between WR 101.1 and KERA-FM 90.1. HI FM is being opened from 98-108 MHz, with Hilo applying for 100.3. Contributors to be listed next month!

**KARO**  
**102 FM**  
CBS RADIO  
AFFILIATE

# SOUTHERN FM DX

Danny Buntin, editor  
1312 N. Skyline  
Stillwater, OK 74075  
DEADLINE: 10th

October 1984

FOR FM DX REPORTERS FROM: AL, AR, AZ, CA, CO, DE, FL, GA, KS, KY, LA, MD, MS, NC, MN, NV, OK, SC, TN, TX, UT, VA & WA.

Bob Timmerman, 2409 Woodway Dr., Orlando, FL 32821

I am a novice DXer and this is my first log. On April 19th the receptions of KSBJ and KKBQ were definitely tropo, as I had several Texas stations on UHF and high VHF on my TV. My DX equipment consists of a Sansui 5050 stereo receiver with an indoor folded dipole antenna, with the possible addition of an outside antenna later this year. Es had been great until I went to Kansas in July. Since I have been back from the heart of America, Es has taken its own sweet time in reaching the FM band. Worse yet, when it does reach FM, it doesn't last very long. I sure hope conditions improve soon, because once school starts I will have little time for DXing.

4/6 Es  
2100 KBIL 92.9 TX San Angelo  
2101 KQIZ 93.1 TX Amarillo  
4/19 tr  
0730 KSEBJ 88.1 TX Humble  
0800 KKBQ 92.9 TX Pasadena  
4/27 tr  
0000 WUNC 91.5 NC Chapel Hill  
4/30 Es  
2100 KTCU 88.7 TX Fort Worth  
5/9 Es  
2115 KFIX 92.7 TX Laredo  
5/12 Es  
1245 WLS 94.7 IL Chicago  
1250 WHBF 98.9 IL Rock Island  
1300 WFFR 102.7 IL Terre Haute  
1301 WAUR 107.9 IN Aurora  
5/16 Es  
1045 KWIT 90.3 IA Sioux City  
1100 KKYA 93.1 SD Yankton  
1100 KSEZ 97.9 IA Sioux City  
5/19 Es  
1030 KXLP 93.1 MN New Ulm  
1130 WBFO 88.7 NY Buffalo  
1145 CHAY 93.1 ON Barrie  
1200 KDCR 88.5 IA Sioux Center  
1315 KELO 92.5 SD Sioux Falls  
1330 KICB 88.1 IA Fort Dodge  
1330 KCLC 89.1 MO St. Charles  
1335 KKEZ 94.5 IA Fort Dodge  
1335 WOI 90.1 IA Ames  
1345 KLGA 92.7 IA Algona  
1400 KRNA 93.9 IA Iowa City  
1400 KDMI 97.3 IA Des Moines  
1415 KRNQ 102.5 IA Des Moines  
5/20 Es  
1148 KLLC 93.5 KS Parsons  
1200 KBRA 97.9 KS Wichita  
1202 KCFO 98.5 OK Tulsa  
1205 KFDI 101.3 KS Wichita  
1209 KSKU 102.1 KS Hutchinson  
1215 KWLS 93.1 KS Fratt  
1224 KSKG 99.9 KS Salina  
1230 WIBW 97.3 KS Topeka  
1245 KJCK 94.5 KS Junction City  
5/21 Es  
1230 WSTO 96.1 KY Owensboro  
1301 WNTQ 93.1 NY Syracuse  
1302 WYYY 94.5 NY Syracuse  
1330 CFMO 93.9 ON Ottawa  
5/23 Es  
1628 WSEI 92.9 IL Olney  
5/24 Es  
1030 WNVY 92.7 MA Tisbury

6/4 Es  
1050 KKBQ 92.9 TX Houston  
1052 KITY 92.9 TX San Antonio  
1100 KSAQ 96.1 TX San Antonio  
1100 KLTR 92.7 TX Houston  
1223 XHRL 98.1 NL Monterrey  
  
1813 KISS 99.5 TX San Antonio  
1940 KTYL 93.1 TX Tyler  
1942 KQID 93.1 LA Alexandria  
1943 KHNIN 92.9 TX Wichita Falls  
1948 KZEK 97.9 TX Dallas  
1950 KLUW 98.7 TX Dallas  
1953 KPLX 99.5 TX Fort Worth  
1955 KASE 100.7 TX Austin  
2000 KVIL 103.7 TX Dallas  
2009 KMGK 102.9 TX Dallas  
2018 KEGE 97.1 TX Fort Worth  
1024 KMLA 103.9 AR Ashdown  
2040 KWEN 95.5 OK Tulsa  
2044 KXXY 96.1 OK Oklahoma City  
2046 KMCO 101.3 OK McAlester  
2053 KTEB 93.3 OK Ada (over rode WFLA!!)  
2116 KDBQ 96.9 KS Pittsburg  
2130 KBBZ 92.9 OK Tulsa  
2200 KZBS 98.9 OK Oklahoma City  
6/5 tr  
0025 WEZB 97.1 LA New Orleans  
Es  
1040 WTFM 92.9 FR Aguadilla  
6/6 tr  
0745 WQDR 95.7 NC Raleigh  
0750 WSOB 103.7 NC Charlotte  
6/7 Es  
1700 WDZZ 92.7 MI Flint  
2203 KLRG 98.1 OK Lawton  
6/10 Es  
2008 KVRP 95.5 TX Haskell  
6/13 Es  
1803 WRXZ 93.9 NY Norwich  
1824 WFAC 92.7 NY Ogdensburg  
1859 WZID 95.7 NH Manchester  
1905 WADB 95.9 NJ Point Pleasant  
1920 WLYT 92.5 MA Haverhill  
1927 WBNT 88.3 MA Boxford  
1930 WBUF 92.9 NY Buffalo  
1950 WKCI 101.3 CT Hamden  
6/16 Es  
1600 WEFZ 92.9 VT Burlington  
6/19 Es  
1051 KCHA 95.9 IA Charles City  
6/20 Es  
1845 KSEJ 88.1 TX Humble  
cont.....

SOUTHERN FM DX

Timmerman, cont.

OCTOBER 1984

6/21 Es  
1730 WCRG 95.7 IL Effingham  
1738 WXMG 103.9 IN South Bend  
1745 WGGY 93.7 MA Lawrence  
1750 WSCD 92.9 MN Duluth  
1756 KZIC 102.5 WI Superior  
1800 WISM 98.1 WI Madison  
1800 WERN 88.7 WI Madison  
1806 WVGS 95.9 NY Liberty  
1807 CJFM 95.9 FQ Montreal  
1923 WKJF 92.9 MI Cadillac  
1943 WJML 98.9 MI Petoskey  
6/23 Es  
1302 WPAT 93.1 NJ Paterson  
1328 WOBH 92.7 NJ Toms River  
6/30 Es  
1413 KGOO 97.7 OK Pauls Valley  
1416 KASX 96.7 OK Ada  
1430 KWEH 97.1 AR Camden  
1431 KATT 100.5 OK Oklahoma City  
1442 KEBK 94.7 OK Oklahoma City

6/30 Es  
1511 KSPI 93.9 OK Stillwater  
1515 KNID 96.9 OK Enid  
1530 KOCC 88.9 OK Oklahoma City  
1531 KISR 93.7 AR Fort Smith  
1531 KANG 92.5 OK Oklahoma City  
8/6 Es  
1330 WJTY 88.1 WI Lancaster  
3/12 Es  
1304 WTFM 92.9 FR Aguadilla  
8/16 Es  
0918 WSIE 88.7 IL Edwardsville  
0920 KGRC 92.9 MO Hannibal  
0925 WRAJ 92.7 IL Anna  
8/23 MS  
0545 WVLK 92.9 KY Lexington,  
"K-93, WVLK-FM. The country you like,  
from the station you love. That's..."  
The timing was perfect by the MS burst.  
I thought I would never get an ID with only  
an indoor antenna.

Jim Pizzi, P. O. Box 1778, Lovington, NM 88260 (505)396-3251 MDT 6/20 to 8/12

6/20 Es  
unID's 90.3, 91.7, east (WAGA-5 in)  
7/1 Es  
2019 WBKV 92.5 WI West Bend, calls  
2020 WFPS 92.1 IL Freeport,  
"Freeport area wx"  
7/3 Es  
1437 KQED 88.5 CA S. F. c 1116  
7/4 Es  
1420 KQED 88.5 CA S. F., c 1116  
1422 KUSP 88.9 CA Santa Cruz, tent., j  
1431 KFFB 89.3 CA Berkeley, tent., c  
1445 KUOP 91.3 CA Stockton, tent., j  
1517 KZSC 88.1 CA Santa Cruz, promo 1089  
1519 KSVJ 91.5 CA Fresno, tent., SS  
1520 KAER 92.5 CA Sacramento, tent. k  
1543 KQJH 90.1 CA Stockton, g, calls, wx  
7/6 Es  
1411 KCBX 90.1 CA San Luis Obispo, c 1004  
1412 KSVJ 91.5 CA Fresno, SS, promos 959  
1414 KCFR 91.3 CA San Luis Obispo, tent. r  
1415 KZOB 93.3 CA San Luis Obispo, ads, Z-93  
1417 KDDB 92.5 CA Paso Robles, k, ID 1012  
1418 KXFM 99.1 CA Santa Maria, ads, wx, calls  
1420 KIQQ 104.5 CA Atascadero, ads 1008  
1421 KSNH 102.5 CA Santa Maria, ads 990  
1427 KKUS 98.1 CA San Luis Obispo, r 1004  
"US-98"  
SW  
1630 KFER 96.15 NM Hobbs, off freq. of 95.7  
tr  
1737 KQAI 95.9 TX Childress, r, calls 210  
7/7 Es  
1637 unids 89.7, 90.7, 91.7 n. east, all NPR  
7/8 Es  
1804-06 unids 90.3, 91.1 CA? west, both rock  
1821 XHZI? 90.3 BC Tijuana, "290 FM", ID  
@1830 in SS, r 797  
1824 XETRA 91.1 BC Tijuana, 91X, ad  
1826 XHRM 92.5 BC Tijuana, r 810  
1826 KSDS 88.3 CA San Diego, j 797  
1827 XHQS 95.7 BC Tijuana, L, r  
1827 XHQF 98.9 BC Tijuana, SS, L  
1828 KIFM 98.1 CA San Diego, r 810  
1829 KFMB 100.7 CA San Diego, r, B-100  
1833 KECR 92.2 CA El Cajon, g  
1836 KLZZ 106.5 CA San Diego, r 810

7/8 Es  
1838 KXYX 96.5 CA San Diego, oldies r  
1840 XHE 99.7 BC Tijuana, SSw/opera 797  
2129 unID 90.3 CA, big band  
2129 KQED 88.5 CA San Francisco 1116  
2132 KUUL 92.1 CA Madera, tent., SS  
7/9 Es  
1030 KFER NM Hobbs, freq. varying from  
95.7 to 96.15, wow!; back on freq. 95.7  
@1045 after 2 days.  
7/10 Es  
0958 KFCF 88.1 CA Fresno, wx 959  
0959 KUOP 91.3 CA Stockton, tent., c 1116  
1014 KQED 88.5 CA San Francisco 985  
1126 XHNP 89.3 PUE Puebla  
1127 XHZM 92.5 " " , "Muzak ad "  
1127 XHRS 90.1  
1133 XHVC 90.9  
w/calls "Musica co-nal-hey"(phonetic sp.)  
7/19 Es  
1210 X 92.1 VER Cordoba, L, SS, "Estereo  
hun-Ja? en Cordoba" @1300. An XHIT 91.9  
Cordoba is listed, mabe this is XHIT w/  
freq. change? Also called itself "Radio  
Rey-no!"  
1212 XEOY 89.7 DF  
1213 XHMC 88.5 MOR Cuernavaca, "Estereo  
Mexicana"  
1220 XEW 96.9 DF, SS, EE r 960  
1221 XELA 98.5 DF, c  
1221 XHRC 97.7 DF, SS, EE r  
1223 XHPOP 99.3 DF, \$\$\$, EE rock  
1228 XHNR 98.5 OAX Oaxaca, ID, \$, SS, L  
1236 XHRJ 92.5 MEX Toluca, "el y ella"  
1259 XHNG 99.3 GRC Acapulco, SS, L  
1815-16 unID's 88.9-92.7, east  
7/23 tr  
1101 KNID 96.9 OK Enid k, nx, wx @1110, 97FM  
7/29 Es  
0950-1000 several from IL & WI area MUF to  
95.9, all unID's  
8/6 Es  
1240 WUCC 90.5 GA Athens, c 1148  
2013 unID 89.3 east, c  
2100 WLN 91.3 PA Erie, ID 1395  
8/11 ES  
"...on I-55 near Arnold..."  
1130 KTIJ 98.5 MO Farmington 788

Table with 2 columns: Station call letters and frequency, and station name and frequency. Includes entries like 8/12 Es, 1756 unID, 1759 WHRM, etc.

Es not bad, I guess, but I expected more. This season hasn't been very good compared to last year, which was great. Hope everyone had a good time at the convention. 73's

T. K. McFey, Route 3, Box 568, Bolivar, TN 38008 CDT

Table with 2 columns: Station call letters and frequency, and station name and frequency. Includes entries like 6/8 Es, 2000 noticed KWGN-2, 2027 KTCL, etc.

Huntsville "DX" received on a Pioneer F-5 tuner with eight feet of twin-lead attached. Bolivar skip heard on the FVC JT-22 tuner and Finco FM-5. The MUF has stayed unusually low for me this summer--in fact, a lot like the unproductive summer of 1978.

John M. Jefferson, 4016 Crest Ct., Pleasanton, CA 94566 4/22 to 8/14

Now that the season's over, time to document the disaster. Hoped for a great year after off-season catches 3/7 and 4/7 and 2-hop on 5/20, but would you believe zero loggings between 6/4 and 7/6?

Table with 2 columns: Station call letters and frequency, and station name and frequency. Includes entries like 4/22 MS, 0200 KUUT, 5/5 MS, etc.

Table with 2 columns: Station call letters and frequency, and station name and frequency. Includes entries like 6/3 Es, 0706 KCND, 0710 KDSU, etc.

Table with 2 columns: Station call letters and frequency, and station name and frequency. Includes entries like 7/6 Es, 1135 KHHV, 1139 KHFL, etc.

So there it is. The Perseids, in 18 hours, matched the entire Es season for new loggings! In addition to the above, had several LA references on 97.1 in early August.

Regarding WUSF, that was an interesting puzzle to solve. Received 2 phone numbers for the stations's fund raiser - a local w/o area code and 800 # that wasn't authorized here in CA.

Table with 2 columns: Station call letters and frequency, and station name and frequency. Includes entries like Danny Buntin, 7/26 Es, 1900 KCFR, etc.

Congratulations to John Jefferson for his 2-hop catch to FL before his season went disastrous as it seemed for all of us. Meanwhile, let's hope for a widespread trop outbreak during October.

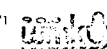
# QSL CORNER

Thomas J. Yingling, jr.  
221 Pinewood Road  
Baltimore, MD 21222  
1-301-282-5649

FM-QSLs

- AR KBKG 93.5 Corning, 72422. Short v/l sign by Bob Cochran, Manager. Cooper  
KZLE 93.1 Batesville, box 2077, 72503. V/l & cm's for both KZLE & KBTA-1340 AM Radio. V/s is Andy Vinson, no title. Cooper
- CT WCTY 97.7 Norwich, Box 551, 06360. V/l, BS, & CM, no name. Cooper  
WPKT 90.5 Middletown % 24 Summit St., Hartford, CT 06106. V/s is Paul K. Taff, for whom the call-letters were changed to on 3/19/84 & they enclosed an story about this. Cooper
- WNHU 88.7 West Haven, Univ. of New Haven, 300 Orange Ave. 06516. Letter from Rose Majestic, GM. Cooper
- WTYD 100.9 New London, Box 1031, 06320. V/l from Ken Stiles, CE. Cooper  
WYRS 96.7 Stamford, 117 Prospect St. 06901. Letter & CM from Cliff Miles, CE, j & m (?). Cooper
- WHCN 105.9 Hartford, 1039 Asylum Ave., 06105. Letter from Richard Walsh, Engineer, also send map. Cooper
- WEZN 99.9 Bridgeport, Park City Plaza, 06604. Letter from James T. Morley, CE, VP & GM. Cooper
- WDAQ 98.3 Danbury, 198 Main St., 06810. Hand-written letter on yellow-lined paper signed by Rudolf Cehak. Cooper + below
- DE WDSO 94.7 Dover, Drawer B, 19901. V/q & CM, card signed by Henry Rosario, CE +  
DC WDJY 100.3 Washington, 5321-1st Place NE, 20011. Letter from Euclid Coukouma, CE. Reply in 1 month. Holbrook
- MN KSTQ 99.3 Alexandria, zip-56308-1909. Letter from Richard C. Aga, Pres. & sends along a humorous coverage-map done by ce. The map shows people running, riding tractors, flying in airplanes, & sitting in ice fishing houses all wearing headphone radios. Elving
- KLKS 95.3 Breezy Point, % POBox 300, Pequot Lakes, MN 56472. Letter from Allen Gray. Elving
- NY WLTW 106.7 New York, 140 W.43rd St., 10036. Letter from Robert C. Tarsio, CE "We utilize the Empire State Bldg. master antenna system & our erp is 7.6kw." Reply in about 1 month. Holbrook
- NJ WSJL 102.3 Rio Grande, POBox 258, 08242. Verie letter from Kenneth Hornri, CE. Callletters stand for Southern Jersey Lighthouse. Holbrook
- WLQE 99.3 Pleasantville, % 1825 Murray Ave., Atlantic City, NJ 08401. Letter from Nathan Rosenthal, CE. Cooper
- WAWZ 99.1 Zarephath, 08890. Letter, program skeds, BS, & Bible tracts. Says they are about to sell out their am outlet to WBNX in NYC. Letter from James Pearsall, no title. Cooper
- WHTG 106.3 Eatontown, % 1129 Hope Rd., Asbury Park, NJ 07712. QSL Card & business card, coverage-map, & beautiful green-gloss map from Richard Swetts, CE. Cooper
- WSLT 106.3 Ocean City, 957 Asbury Ave., 08226. V/l by Christine Ross. Cooper
- OH WNIR 100.1 Kent, Box 629, 44240. Returned my prepared card after second follow-up, signed by Glenn R. ??? Asst. CE. Holbrook
- PA WHTX 96.1 Pittsburgh, 400 Ardmore Blvd., 15230. Letter signed by K.J.Haase, no title, after second follow-up send back my prepared card. Holbrook
- WOKU 107.1 Greensburg, 245 W. Brown St., 15601. Richard Ruby, CE signed my card after 2nd follow up. Holbrook

Reporters are: Ernest R. Cooper of Provincetown, MA; Bruce Elving of Adolph, MN & Hank Holbrook of Chevy Chase, MD. Also from David Nieman of Akron, NY the FM QSL copy on your left from WMKY-FM, 90.3mhz. Address of Morehead State University, Box 903, Morehead, KY 40351, from Ray Roberts, CE Incase you were wondering what happened to my column last month, well...I was trying to use my computer printer to do, but it was not possible. A long story. I also have to do over the update list of contributors as my copy got wet. 73's to later & report!!

Box 903	Morehead,
Morehead State University	Kentucky
Phone: 606-783-3371	40351
	
Effective radiated power: 11,300 watts at 40.3 mhz	
Antenna: 134 ft. above ground 7225 ft. above sea level	
Lat: 39° 10' 33" Long: 80° 24' 30"	
Confirming your report of reception	
on 8-28-82	
Your report is appreciated: Ray Roberts, C.E., WOKU	

NEW AND IMPROVED!!!!

# NORTHERN FM-DX

Saul Chernos  
79 Ridge Drive  
TORONTO Ontario  
M4T 1B6 Canada

October 1984

Welcome to the "All New Improved" Northern FM DX. Actually, I humbly admit there to be few improvements - Ralph's job on Central will be hard to beat. I welcome all Central FM loyalists, however. Ralph has mailed me some reports, so it seems that we have instant column - just add water:

Just as the Es season began in splendour, it has ended (unless a late-Aug opening) in splendour. While driving to Ottawa ON from the Convention in Jamestown, I logged Caspé PQ while near Watertown NY, on the E. shore of Lake Ontario. In Toronto they had PQ, NB, MO...I also had MO. I thought all the CBC stns which had filled my band in the car to be tropo from PQ, as my elevation was high - so I ignored what later proved to be rare DX (lots of Es 500-700 miles away; Oh, do I wish I'd gone home to Burnt River!!!) Then MO came in & all died. Oh well!

FRANK MERRILL - P.O.B. 7207 - Toledo OH 43615 EST/EDT McIntosh MR-78 tuner; Channel Master \$-Probe-9 at 25' with Alliance rotor.

NOV 13 1983 Es 2028 WKOS 100.3 FL Plantation Key.

MAY 1984

- 13 Es  
1632 WICF 88.5 ME Bangor detailed wx/66°  
1700 CB.. 92.1 NS Yarmouth //CBHA, no ID, Halli-fax ID at 1710. (Ed: that's CBHY, 38600 watts)  
1712 CBAP- 88.1 PE Charlottetown CBC FF (-29)  
1712 CBAP- 88.5 NB Moncton CBC FF (-26)  
1714 CBCT 96.9 PE Charlottetown  
1715 CHLQ 93.1 PE Charlottetown Expos bb, "Q-93"  
1732 CBHN 89.5 NS New Glasgow  
1733 CBHC 89.1 NS Truro  
1735 CFTM 92.7 PQ Iles de la Madeleine No ID but hrd same ancrs two weeks later when traveling Cape Breton Isl. en route to NF. Had k this time, but were "free-form" May 26 when I was nearby. Non-commercial, apparently, and none hrd during travels or in Es. (Ed: QTH is actually "Cap Aux Meules" & is 6300 watts!)

1748 CBZE 90.9 NB Boiestown

13 Tr

2008 CJAM 91.5 ON Windsor reggae "You're tuned to See-Jam, FM 91.5" (Ed: Are they English or French or both; I thought French...)

JUNE:

15 Tr

1403 WETL 91.7 IN South Bend prgm re Psychologists in South Bend schools

21 Es

- 1734 WPCS 89.3 FL Pensacola  
1917 WUFT 89.1 FL Gainesville  
1923 WHEW 101.9 FL FtMyers k chart-mx prgm  
1931 WYKX 99.5 FL StPetersburg wx  
1932 WEEJ 100.1 FL FtCharlotte big-bandmx  
1932 WQEZ 99.3 FL FtMyers "...Easy mx on WQEZ, Easy-99"

1935 WLOI 100.7 FL Tampa "I listen at work" mug promo, "Q-101", address.

1937 WRUF 103.7 FL Gainesville "Rock-104"

1941 WYNE 94.9 FL Tampa "95-YNF" JudasPriest'r

1945 WLRJ 91.5 FL New Port Richey

1954 WFLA 93.3 FL Tampa

22 Tr

0130 WFXZ 100.9 MI Pinconning r "Foxy-101"

25 Es

2000 KYIA 93.3 MT Billings

2003 KFKYt 94.9 Pocatello ments. Lincoln County

2006 unID 90.7 not KQIR, what else out there?

(Ed: K3ME, the UT 10-watter? heh!)

JULY

3 Es

2017 KTFM 102.7 TX San Antonio

2024 KMBQ 93.7 LA Shreveport

2031 KICU 96.5 TX Corpus Christi

JULY 3 cont

2040 KMOC 96.7 TX Mineola Ray Price mx Many unIDs & tents as this short opening hit an MUF of 107.9.

8 Tr

2051 WKYU 88.9 KY Bowling Green SF Symphony intermission & ID

2231 WLHB/WXQB 96.9 IL/TN.

9 Tr

0100 WECI 91.5 IN Richmond

0100 WNKJ 89.3 KY Hopkinsville wx

13 Tr

1010 WJEF 91.9 IN Lafayette lots of Beach Boys r mx, atop WSSR until 1030, never expected to hear this!

14 Tr

0330 KUNI 90.9 IA Cedar Falls

0538 KSJnt 91.9 MN NewBrighton (Ed:the "t" here means xltr, not tentative.)

2200 WTMB 98.9 WI Tomah

22 Tr

0706 WYCE 88.1 MI Wyoming wx, hillbilly/Blue-grass mx ID

26 Es (thanx Ralph Strobel for tip)

1856 KWBI 91.1 CO Morrison g

1859 KBVL 94.7 CO Boulder c

2050 KRWN 92.9 NM Farmington

COMMENTS:

WHERE'S THE SKIP? I believe this report covers ALL the possible FM Es from JUNE 12 to JULY 26. I haven't left town since June 12, and have been out for only 2-3 hrs at a time. I haven't done it yet, but am seriously considering trying a Carver TX-11 to supplement or replace my MR-78, as I've heard no bad things about it and if I sold my MR-78, I ought-to get more for it than the cost of a TX-11.

Recent trip to Canadian Maritimes disclosed (per chat at sister stn CKDY-1420) that CKWM 97.7 is affiliated with the CBC 100% by virtue of being leased to the CBC by Annapolis Valley Radio. This lease is supposed to expire in 1986, & lcl prgmng should resume. CKIX 98.2 NF StJohn's is on, 24 hrs/day with k mx. If they're on 98.2, the stn told me wrong. I'm sorry to see Ralph quitting the column, because he has probably done the best job of anybody, and he will be missed.

73.

15

(CKIX is news to me! As is CKWM doing CBC. Thanks for that valuable info for my lists/Ed)

Times CST/CDT. GE Superadio w/ whip antenna/Pioneer SX-850 w/dipole antenna:

FEB 1984	From West StPaul MN:	JUNE	
11 Tr		19 Tr	
0057 KJLY	100.9 MN Blue Earth g 95	0101 KDSU	91.9 ND Fargo s-off 230
21 Tr		0117 KKWB	105.1 MN Breckenridge Fargo, Moorhead & Breckenridge request lines (phone #s) 195
2255 KKWS	105.9 MN Wadena 150	1904 KIIK	103.7 IA Davenport 255
MAY		2000 KATF	92.9 IA Dubuque "The Cat" ex-KFMD 200
19 Es		2300 KGRC	92.9 MO Hannibal 360
1029 WABE	90.1 GA Atlanta 890	22 Es	
1031 WFCH	94.9 GA Atlanta 890	0100 WDSC	92.9 SC Dillon 1025
1033 WDTN	89.7 TN Chattanooga ment 790	JULY	
TN Temple Univ.	790	23 Tr	
1037 WGGG	95.7 FL Clearwater 1295	2245 WHAD	90.7 WI Delafield 260
1038 WGOV	92.9 GA Valdosta 1105	2246 WHHI	91.3 WI Highland 180
1040 WJGA	92.1 GA Jackson 935	2250 KAYL	101.5 IA StormLake 185
1044 WDUV	103.3 FL Bradenton 1335	2309 WJMN	98.1 WI Madison ex-WISM 215
1057 WFLA	93.3 FL Tampa 1315	2319 KIIK	103.7 IA Davenport 255
1102 WUSF	89.7 FL Tampa 1315	2328 WJTY	88.1 WI Lancaster 180

MAY	From Woodbury MN
31 Es	
2050	88.1, 88.9, 89.9, 91.3 all //, no IDs, probably SC Public Radio.
2059 WNGC	95.5 GA Athens 910
2103 WSSX	95.1 SC Charleston "95-SX" 1085
2105 WWHK	89.7 SC Columbia 985
2112 WKTC	96.9 SC Charleston 1085
2115 WCOS	97.9 SC Columbia 985
2118 WVFJ	93.3 GA Manchester "Victory93" ex-WQCK 940
2120 WQXI	94.1 GA Smyrna 890
2143 WKXZ	92.7 GA Dublin 1005
2144 WJCI	96.5 GA Savannah 1090
2147 WTVY	95.5 AL Dothan 1030
2159 WTSU	89.9 AL Troy 980

I haven't seen much at all since mid-June. There was practically no Tr at all until mid-June, and since then, there's been a few nice openings, but nothing spectacular. Hopefully things will improve once the new antenna goes up. (Ed: Well, then, what are we waiting for. HURRY UP!) I'm planning (Ed: he did) on attending the convention & hope to meet many of you there. Hope to have much to report next month! -Pat. (Nice meeting you there Pat!-saul)

Bruce Elving - Adolph MN - 55701-0024 ALSO 4515 Avenue "E" - Kearney NE 68847 above roof

FROM QTH AT DULUTH MN: (Sony ST-5130 tuner w/ 6-element rotatable FM yagi ant. only about 6' "

JULY 12 Tr: New station KLKS-95.3 MN BreezyPoint w/ \$ m CNN News; KLLR-99.3 MN Walker w/\$ m & Mutual net.

13 Tr: KSTQ-99.3 MN Alexandria in w/chirping SCA.

17 Tr: CBQ-101.7 ON Thunder Bay w/ full ID & ment 23500 watts, \$ and c. Usually IDs at :05 after the news.

18 Tr: KBWS-102.9 SD Sisseton bag studios & xmtr at SD Eden. This thru WLTE 102.9 Minneapolis which has an unusually poor signal in this direction.

COMMENTS: CBQ-FM has a very good signal w/ vertical; heard with full ID while driving in Ironwood MI, & in much of MI's "Copper Country"(the area from Mass to Houghton MI). DX QTH near Adolph, at my in-laws' house. 73, Bruce.

FROM QTH AT KEARNEY NE:

JULY 23 Tr: KQMA 92.5 KS Phillipsburg rm \$ new-to-air, IDs w/ Hays KS; also KREP 92.1 Belleville KS, also new-to-air.

JULY 26 Es: 1900-2-0- CDT: WLFJ 89.3 SC Greenville w/g\$; WDLN 89.3 IL East Moline g (short-hop); WUSC 90.5 SC Columbia \$; WVIA 89.9 PA Scranton-Hazleton-WilkesBarre ID; and WMNR 88.1 CT Monroe.

AUGUST 1 Tr: KKJQ 97.3 KS Garden City \$. 73, Bruce. (Nice meeting you at J'Town-saul)

HARRY HAYES - 9 Henry Street - Wilkes-Barre PA 18702 EDT

JULY 1984 4 Es 1130 KFXE 92.3 AR PineBluff "Foxy-92" tentative.  
7 Es 2014 WOCM 97.5 NF St.John's "VO \$tereo" now oldies from k

COMMENTS: Virtually no DX at all on FM in this period despite constant checks everyday. Last decent opening JUNE 21 w/ LA (N.O. area) in for about 45 mins. No significant Tr yet, but Tr season should be starting any time now. I had about: 2 1/2 hrs of openband (Es?-ed) time on FM in MAY, 2 1/2 hrs JUNE, 1 hr so far in JULY. WOCM in & out for 45 mins & KFXE in 2 or 3 ->

times in a ten-minute span. This may well be the first year that MAY could be the dominant DX month. Dates noted when E-SKIP hit FM so far this season: MAY 6 (best so far), 19, 24; JUNE 13, 21 (2nd best); JULY 4, 7. 1984: The most DXless season ever, here!

JOHN EBELING - 9209 Vincent Avenue South - Bloomington MN 55431 CST Time DX at Prosit MN

Not much information to report this month as conditions have, in my estimation, been ROTTEN! Spent the first 16 days of JULY at the cabin and even TV-2 had not much Es. (John sent his TV log to me - actually to Ralph - and it definitely backs up our complaints. John, your French on TV-2 JULY 5 w/ SC & FL in is interesting; I'm going to look into that; That area does have the odd bit of French on FM so it could be even something like WDIQ.-saul)

JULY 3 Es	
1805 WMMK	92.1 FL Destin
1811 WPAP	92.5 FL Panama City (& SCA)
1825 WJST	94.5 FL Port St. Joe (freq. change) r "T-94" slogan used
1829 WQNE	98.5 FL Panama City a true beautiful music station
1831 WKYD	98.1 AL Andalusia
JULY 8 Tr	
2105 CBQ	101.7 ON Thunder Bay (CBC \$ network new-to-air)

ALSO JULY 15 Tr 1350 WKPR 91.7 WI Rhinelander w/ lcl KAXE lost their tower & off-air

JULY 9 Tr	
1000 KBWS	102.9 SD Sisseton AP nx, "B-103"
1030 KBSB	89.7 MN Bemidji new-to-air
1100 KDSB	90.9 SD Pierpont/Aberdeen
1103 KKWB	105.1 MN Breckenridge "Superstation, Double-K-FM" (lcl WAVC off-air)
1110 KTIG	100.1 MN Pequot Lakes g
1145 KBRS	103.1 MN ? calls "FM-103" pr
2035 KLKS	95.3 MN Breezy Pt. SNV nx, older & varied types of music
2059 KESD	88.3 SD Brookings
2101 KZZA	107.1 MN Glenwood
2312 KMGM	105.5 MN Montivedo "Hit-105" (Ed: I sure hope they've found it)

BOB ZENT - 1835 Fruit Street - Huntingdon IN 46750 Times EST

APRIL 1984	
7 Tr	
1959 WECL	91.5 IN Richmond 1st day w/300 watts power (was 10)

12 Tr	
2200 WCIC	91.5 IL Pekin/Peoria "We're Centred In Christ" 220

MAY	
8 Ms	
0640 KZEU	107.9 TX Victoria "...advisory is in effect for today. This is 108-Kazoo" 1080
19 Es	
1024 WRBH	88.3 LA New Orleans lcl concert promos (unIDs 89.9 & 90.7) 810
JUNE 9 Tr	
0100 WRAC	103.1 OH West Union lcl 103.1 off due to financial problems 180
0101 WAXU	103.1 KY Georgetown nx 200
JULY 15 Tr	
0012 WMDH	90.5 IN Terre Haute s-off 138 (After several yrs trying to ID (positive), I finally did it; they must have the worst coverage of any stn I've ever logged)
*KNMN	99.9 Phoenix no longer has SS/Latin format; now r & s. No real DX while I was there in Arizona. 73's, Bob.

JULY 19 Tr	
2234 WHAJ	104.5 WV Bluefield 340
2239 WCIR	103.7 WV Beckley "CIR-FM" 310
2332 WBKW	99.5 WV Beckley g 310
24 Tr	
2000 WTKS	99.3 OH Coshocton 190
2359 WBZB	99.3 WV Parkersburg IDs w/ Marietta OH 225
28 MS	
0024 WBCM	98.9 FL Tallahassee "...\$tereo sales #225 W. Tennessee, right next to FSU". 745
0120 WSPA	98.9 SC Spartanburg Call letter jingle 460

COMMENTS: DX has been so disappointing this summer, with practically no Es & very little Tropo. I spent the first few weeks of JULY in Southern AZ, & noted... \*KNAU Flagstaff now 88.7, 100000watts w/ signal getting into Phoenix pretty well at about 120 miles. \*KUAT Tucson now has xltr in TUCSON on 89.5; Believe me, they need it!

RICHARD E. BERG-ANDERSSON - 47-11 48th Avenue - Woodside NY 11377 Times EDT

JULY 1984	
15 Tr WAYV	95.1
2350 WAYV	95.1 NJ AtlanticCity r o/WRCI-CT
2359 WRVH	105.5 NY Patterson nx b s-off later
16 Tr	
0005 WKPE	104.7 MA Orleans r "Cape-104" o/WSPK
0035 WRCN	103.9 NY Riverhead r w/WFAS-NY off
0040 UNID	103.1 w/Reggae, strong, got fuzzy by 0053, bass of mx clear but words indistinguishable. Who? (Illegal pirates, which often have poor modulation, have used 103.1 in the NYC area before; The hour would be prime for that, too. That is only ONE POSSIBILITY -ed)

16 Tr cont.	
0055 WMNR	93.5 PA Philadelphia oldies
0058 WMDB	96.5 PA Philadelphia phone-in prgm & ABC nx at 0100
0120 WKHT	99.9 MD OceanCity Ads for O.C. & PocomokeCity w/ WEZN-CT. No IDs r (There are 2 kinds of DXers. Some insist on an ID before "officially logging" a stn; Others might say, "Who else would have an ad for those QTHs, except the stn which is obviously in that area, to the exclusion of any other. You could always note what ads you hear and contact a stn, AND INSIST (or ASK) to see their logs or a copy of such.

COMMENTS: See next page (4)



COMMENTS: WKZE took me aback: I was thinking about Orleans MA that very day (JULY 15), as, exactly one year before, my wife and I ended a nice one-week vacation in that small CapeCod town. We listened to WKZE while roasting on Nauset Beach (literally - we got one of the worst sunburns (ouch!) ever; I still have some of the tan which eventually resulted), so it was quite a shock to be sitting here in Queens Borough, NYC, and hearing that station.

EQUIPMENT: Sony ICF-2001 w/ digital freq. readout & telescopic whip ant. Next time, I'll try my Radio Shack rabbit-ears.

Also, I'm relatively new to FM DXing. I am assuming, based on the close proximity of the stations & the weather (a cold front coming thru, the leading edge of which was over my QTH & extending SW-NE per N.Y. Times weather info July 16...that my fortunes were due to Tropo.

Until next time, Richard E. Berg-Andersson.

(Ed: Yes, Tropo. E-SKIP generally is 500-1500 miles, and Tropo begins as close as your locals, and can, at times, reach high mileages. Weather generally affects the Tropo, while it only - as far as we know - plays a small/lesser part in the skip. You say you're new to this hobby... If you haven't had skip yet, don't worry. You'll KNOW when it hits. Welcome to this column and to the club.-saul)

MIKE REID - 109 Arjay Crescent - NORTH YORK ON M2L 1C6 EDT Akai AT-VO4 w/ dipole.

MAY 1984  
 19 Es  
 1350 KUT 90.5 TX Austin wx  
 21 Es  
 1623 WKPX 88.5 FL Sunrise r  
 JUNE 1984  
 12 Tr  
 2320 WREO 97.1 OH Ashtabula m  
 2336 WHCU 97.3 NY Ithaca r (are you sure that's WHCU, WHCU's not rock-saul)  
 5 Tr  
 0950 CBE 89.9 ON Windsor talk re D-day.  
 0954 WEBF 95.7 NY Olean m  
 6 Tr  
 0115 WLYF 95.1 NY Bristol Centre m  
 0125 WBNY 91.3 NY Buffalo rp PSAs  
 0658 WYFM 100.5 ON London c \$  
 0659 WYFM 102.9 PA Sharon wx "Y-103"spots  
 0659 WHCU 97.3 NY Ithaca m  
 0659 WREO 97.1 OH Ashtabula  
 21 Es  
 1935 WDJC 93.7 AL Birmingham g  
 1937 WACT 105.5 AL Tuscaloosa k "\$-Country,T-105"  
 1939 WQSB 105.1 AL Albertville ads  
 1947 WOKK 97.1 MS Meridian promos  
 1947 WEZE 97.1 LA NewOrleans s "B-97"  
 JULY 1984  
 3 Tr  
 0700 WQLN 91.3 PA Erie ID w/91.1 CJRT lcl on  
 0707 WHOT 101.1 OH Youngstown ex-WSRD r  
 0713 WQXX 105.1 OH Salem ads  
 0718 WZPR 100.3 PA Meadville k "The Country one"

5 Tr  
 0933 WCZY 95.5 MI Detroit ads  
 0934 CJBC 99.3 ON London (-4) FF songs, mono  
 0935 WNIC 100.3 MI Dearborn r  
 0936 CBBL 100.5 ON London talk  
 0936 WRIF 101.1 MI Detroit r  
 12 Tr  
 0327 CKNX 101.7 ON Wingham b  
 0330 WBNY 91.3 NY Buffalo rp  
 16 Es  
 0918 WHCU 89.7 FL Miami g \$ (Jewish talk re Jesus)  
 0922 WMBE 89.3 FL BoyntonBeach "trading post" kind of program  
 20 Tr  
 0224 WBNY 91.3 NY Buffalo pr  
 1244 WKDD 96.5 OH Akron "96-FM" ads  
 1300 WCPN 90.3 OH Cleveland testing w/ carrier  
 26 Es  
 2100 WNO 89.9 IA NewOrleans ID  
 2157 KOEZ 92.3 KS Newton ID (Neato, I was getting AL at that time-saul)  
 29 Tr  
 0352 WBNY 91.3 NY Buffalo rp  
 31 Es  
 1301 WMAU 88.9 MS Bude nx  
 1328 KYNE 89.5 TX Tyler g  
 AUGUST 1984  
 5 Tr  
 0535 WHCU 97.3 NY Ithaca wx  
 0539 WREO 97.1 OH Ashtabula b  
 Es to Maritimes in Canada on August 6, and Es on Aug. 10 at 1330-1400, my logs presently

are unsorted. Both hit FM, but I only DXed TV on the latter one. Overall, this year has been a dull one so far. (Mike sent his Maritimes unIDs to me, and I've since returned a few solutions to him. As far as I can tell, he had PQ, NF, NS, NB. Some stuff was below 700 miles. Of course, they aren't official loggings until he decides so, but it is indicative of the immediate-post-convention skip opening which I mentioned in this column's intro. If it wasn't for Mike's DX on this day (Aug 6), I'd still think the Es I had was Tr!-saul)

ROBERT GOODMAN - 2030 Hering Avenue - BRONX NY 10461

At the convention, Bill Thompson called it right: He said there'd be no DX of note during the convention, but that there'd surely be one the day after. So...

AUGUST 1984  
 6 Es  
 1805 CBKF-4 91.9 SA Bellegarde about 1500 miles heard w/FF "Ici Radio Canada" CBC net. ID or FM. I'd logged no Es up to this point, this year; this reception was a shock to me...in August. The opening was of high MUF and high latitude. The MUF did drop, and hung around TV for a few (3) hours. (Ed: this the same opening as Mike Reid's DX to East coast and even my little bit to Gaspé PQ which will appear with the rest of my stuff. Definitely an interesting skip cloud.-saul)

It occurred as I was tuning for WLNG 92.1 in SagHarbor NY to hear their "almost-all-commercials format" (all ads!!!!) This represents the longest DX ever for me on TV

Plug for another column dep't: Alan Hyams of NYC is now doing Mailbox; if you've anything controversial, interesting, lets say, a description of your set-up or views about FM radio, whatever, send 'em to Alan. Mailbox is a great place to speak our minds & "disturb the flies".

ATTENTION ATTENTION ATTENTION

October 1984 NORTHERN FM DX (5)

BILL HEPBURN - AES Weather Station - HALL BEACH NT X0A 0X0

(Ed: Firstly, DX is NOT from Hall Beach, but...Es from Coral Harbour, and GW from Frobisher Bay. Coral Harbour is on Southampton Island in the Keewatin district, just SW of Baffin Island, and at the very North top of Hudsons Bay. Frobisher Bay is on the S'ern tip of Baffin Island, right on the EST-AST time border. All times, however are in Central Daylight Time. Coral Harbour is 64-12 n 83-22 W, and only stn w/in 185 miles was local 29-watt C4ZS-107.1. ZS stands for Coral Hbr Airport, Bill says. He also says Hall Beach is 320 miles N. of Coral Hbr, and he's unsure if/what dx is there to be had. At Hall Bch (I doubt this to be your average winter resort, despite the beach), Winnipeg, the closest Metropolis, is 1400 miles away. All this courtesy of Bill, with a little map finding work of my own. I might add, that if anyone is wondering "where's the skip this year", well, may I suggest it has been visiting Santa Claus at the North Pole. Hats off to Bill for tracking it down for us in an unexpected hiding place. Next year I hope it is guts enough to face us & not run & hide. Read on folks:

EQUIPMENT: JVC PC-R11c & Realistic PRO-2003 w/ whip. t means tentative.

Coral Harbour Es:

JULY 1984  
 4 Es  
 0122 CITI 92.1 MB Winnipeg "City-FM" 1100  
 0124 CHIQ 94.3 MB Winnipeg  
 0127 CKWG 103.1 MB Winnipeg 1100  
 " CBQX 98.7 ON Kenora r  
 " CBWT 98.3 MB Winnipeg r  
 0128 CBMM 97.5 MB Winnipeg 980  
 " CBWY 92.7 MB Jackhead  
 0137 K7?? 100.1 ND Grafton? r (KXPO-ed)  
 0155 KBHW 99.5 MN International Falls 1145  
 0207 Fadeout  
 2242 CBWW 105.3 MB Baldy Mtn 1080  
 2243 CFTT 92.1 ON Timmins  
 2247 CBWY 92.7 MB Jackhead 980  
 2252 CBON4 90.7 ON Kapuskasing FF 1010  
 2257 CBCC 91.9 ON Hearst 990  
 2319 unID 93.1 French (would be one of 4 PQ stns, probably Dolbeau)(-ed)  
 8 Es  
 2211 unID 105.1 French r (I dunno-ed)  
 2212 CBWW 105.3 MB Baldy Mtn 1080  
 2213 unIDs 100.9 // 101.5 french  
 2214 unID 94.5 FF c  
 " CBWY 92.7 MB Jackhead 980  
 2218 CITI 92.1 MB Winnipeg 1100  
 2223 CFMM 99.1 SA Prince Albert "99FM"1080  
 2225 unID 107.9 FF r (prob. Chicoutimi PQ)  
 2227 CBWZ 104.3 MB Fairford 1035  
 2244 CBW 98.3 MB Winnipeg 1100  
 2245 CKSB9t89.1 ON FtFrances FF c  
 2252 CKWgt103.1 MB Winnipeg  
 2253 KDVLt102.5 ND Devils Lk  
 2254 KRRZ 101.9 ND Fargo 1295  
 2300 KXKL 92.9 ND Grand Forks 1230  
 2301 KRRKt103.9 ND E.Grand Forks  
 2303 KBHP 101.1 MN Bemidji 1255  
 2308 KVOXt 99.9 MN Moorhead  
 2309 KKWE 105.1 MN Breckenridge 1320  
 2311 KZZZ 103.5 ND Devils Lk 1240  
 2312 KBRF 103.3 MN Fergus Falls 1315  
 2315 KLIZt107.5 MN Brainerd  
 " WJLY 106.7 MN Brainerd 1300  
 2321 KGTt100.7 MN Alexandria  
 2322 KQWt 98.7 MN Moorhead  
 2323 KYCKt 97.1 MN Crookston-Gr.Porks  
 2324 KQDYt 94.5 ND Bismarck  
 2325 CFQX 92.9 MB Selkirk 1075  
 2327 KAXEt 91.7 MN GrandRapids  
 2328 CB??t 90.5 ON FtFrances c  
 " UnID 90.5 French

8 Es (cont'd)

2328 KJFMT 89.3 ND Grand Forks  
 2328 CB?? 88.9 // 90.5  
 (Ed: I'm really at a loss; the only Canadians I've got listed on 88.9 are Yukon stns, & low powered at that; then again, the NWT stns on 97.9 & 100.1 aren't even on CRTC/DOC files - you know, the ones you had on GW in F.Bay, & contained later in this report. WEIRD!-saul)  
 2336 KQAA 94.9 SD Aberdeen  
 2346 WDAY 93.7 ND Fargo 1295  
 2357 KCCMt 91.1 MN Moorhead  
 9 Es  
 0002 Fadeout.  
 11 Es  
 2150 unID 94.5 FF m  
 2151 CBON 98.1 ON Sudbury FF 1215  
 " unIDs FF // CBON on 93.1 & 104.1  
 2152 CBON4 90.7 ON Kapuskasing FF 1010  
 2152 unID 88.9 ND Bismarck? (KMPR Minot //KOND-ed)  
 2155 CBWY 92.7 MB Jackhead 980  
 2200 CBOKt105.1 ON Kapuskasing  
 2201 unID 103.5 "Q-103" k  
 " KDVLt102.5 ND Devils Lake  
 2202 CBCTt102.3 ON FtAlbany //105.1  
 2203 unID 100.9 French  
 " CBWY 97.9 MB Brandon 1150  
 2204 CBMM 97.5 MB Winnipeg 1100  
 2206 CHIQ 94.3 MB Winnipeg "Q-94" 1100  
 2209 CITI 92.1 MB Winnipeg 1100  
 " KDSUt 91.9 ND Fargo  
 " CBLAt 90.1 ON Atikokan  
 2214 CBWT 98.3 MB Winnipeg  
 2217 CKSB8 99.5 MB Brandon FF 1150  
 2224 CKWG 103.1 MB Winnipeg 1100  
 2227 CB??t 90.5 ON FtFrances c  
 2234 CKSB9 89.1 ON FtFrances FF 1130  
 2246 CBQXt 98.7 ON Kenora  
 2351 CHLM 96.5 PQ Rouyn-Noranda FF 1100  
 12 Es  
 0006 CFTT 92.1 ON Timmins  
 15 Es  
 2101 MB Winnipeg: 92.1, 94.3, 97.5, 103.1, 98.3  
 2116 CBWYt 92.7 MB Jackhead  
 2117 KIXX 96.1 SD Watertown 1375  
 2131 KDVL 102.5 ND Devils Lk 1240  
 2137 WDAYt 93.7 ND Fargo  
 2138 KXKLt 92.9 ND Grand Forks  
 2140 CB??t 90.5 ON FtFrances  
 2143 KBHPt101.1 MN Bemidji  
 " CBQHt100.9 ON Dryden  
 2146 KYTnt 94.7 ND Grand Forks  
 2147 WKQ 93.9 MN Hibbing

(more) 1190

15 Es (cont'd)  
 2155 WAVct105.1 MN Duluth  
 2201 WUPM106.9 MI Ironwood  
 2205 WIMI 99.7 MI Ironwood 1240  
 2237 WR7K 99.7 ?? ???unID  
 2254 WNMU 90.1 MI Marquette 1215  
 2259 WOPD 92.3 MI Ishpeming-Marquette nx s-off

18 Es  
 0001 unIDs around 89 kHz  
 31 Es  
 2042 CB?? 89.5 unID CBC  
 2051 unID 90.7 FF  
 " CBS 96.9 PQ Septiles  
 2051 CBSit 98.1 PQ Septiles FF  
 2052 CBVct 90.3 PQ Chibougamau  
 2055 CBDt 91.3 NB McChamplain  
 " CKHJ 93.1 NB Fredericton "KHJ" 1315  
 " unID 94.5 FF m \$  
 2056 CB??? 96.1 PQ Montreal wx //96.9  
 " CB??? 98.5 ON Whitney? (unsure if on-air)  
 2057 unIDs 103.5, 104.1, 106.1 CBC FF //  
 2059 CHIMt 96.5 PQ Rouyn-Noranda FF  
 2101 CBJ3t 93.1 PQ Dolbeau FF 1085  
 " CFTI 92.1 ON Timmins "Country-Hit-Radio"  
 2102/3 unid 89.7 FF; 89.3 FF; MUF 107.9!  
 2110 CHOZ 93.9 NF StJohn's "Oz-FM" 1575  
 2213 CB?? 88.1 unID CBC  
 2228 CBRDt 102.5 AB Red Deer  
 2230 unIDs 100.9 CBC; 94.7 & 96.9//; 2241 FF 102.1  
 2246 CISA 103.9 AB Edmonton "Kissin FM" 1255  
 2256 CKRA 96.3 AB Edmonton "K-Light" 1255  
 2258 CKUA 94.9 AB Edmonton 1255  
 2305 CFCR 98.9 AB Red Deer 1335  
 2308 CKO-6 98.9 AB Edmonton 1255  
 2311 CKRY 105.1 AB Calgary 1400  
 2312 CKIK 107.3 AB Calgary "Kick-FM" 1400  
 2314 CHFA2 103.5 AB Red Deer FRENCH 1335  
 2324 CFMM 99.1 SA Prince Albert 1080  
 2337 CJGL 94.1 SA SwiftCurrent "FM-94" 1285  
 2342 CBKF3 93.5 SA Zenon Park FF 1035  
 2343 CFMQ 92.1 SA Regina "Q-92" 1205  
 2345 CKIT 104.9 SA Regina 1205

(Ed: the 2 NT stns at end report are not in DOC-CRTC lists; if there are xlters in F. Bay, perhaps elsewhere, too, & if these are unlisted stns, we may NEVER have an accurate list of Canadian FMs; but the chance of DXers getting them is probably, 99.9999% impossible; in any case, your report will fill in gaps in my lists, esp. re format. I solved few of your unIDs due to lack of time; I'll sort thru it all within a month or so. I commend you on using "tentative" when not certain of the stn...it's a sign to me that the info you have provided can be used in my lists, where accuracy is crucial. Normally I'd not print unIDs or tentatives in such quantity, but I feel it shows everyone just HOW MUCH DX you had, and the areas. ANY ONE ELSE DX FROM A PREVIOUSLY UNREPORTED REGION...FILL US IN ON WHAT (IF ANY) DX YOU'RE GETTING. IF YOU LIVE IN MAINE OR ALBANIA, OR EVEN ON MARS, THIS IS WHERE TO REPORT YOUR FM DX.

RONALD PURDUE - RTE # 1 - Box 224 - Byron MN 55920 CDT times.

Equipment: Realistic Modulaire-8; Archer " \$ Supreme" FM ant. w/ coax lead-in

MAY 1984  
 19 Es  
 1000 WAAC 92.9 GA Valdosta ad nx 1037  
 1004 WCVU 94.5 FL Naples wx ID 1375  
 1015 WFCH 94.9 FL Atlanta ID ads 825

19 Es (cont'd)  
 1019 WCKI 94.1 GA Atlanta r ads ID wx "94-Q" 825  
 JUNE 1984  
 08 Es  
 2016 KBIL 92.9 TX San Angelo wx ID r 962

AL HYAMS - POB 130 - BRONX (NYC) NY 10464 logged at Indian Rocks Beach FLORIDA (on Gulf)

APRIL 19 1984 Tr: 2100 WBJW 105.1 FL Orlando 100mi; 2115 WDOQ 101.9 FL Daytona Bch 140 mi; & 2115 WAIV 96.9 FL Jacksonville at 175 miles.

APR 20 Tr: 0000 WMOO 96.5 FL Orlando 100mi; 0015 WELE 105.9 FL DeLand 125 mi; 0105 WDI2 100.3 Orlando FL 100mi; and 0140 WFUZ 93.7 Ocala FL at 110 mi.

Logged at "Holiday Villas" (Hotel?saul) near Clearwater at I.Bch. snow  
 (This rare report from FL does not mean that NORTHERN is invading FL; just a break from the.

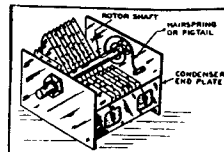
AUGUST 1984

2 Es  
 2137 CBONt 98.1 ON Sudbury FF  
 2146 CFTIt 92.1 ON Timmins "Country-92" EDT-TC  
 2155 CBCCt 91.9 ON Hearst  
 2157 CBONAt90.7 ON Kapuskasing FF  
 2158 CBON20 89.3 ON Thunder Bay t FF  
 2159 CBCI 102.3 ON FtAlbany "CBC" "In Timmins, we're on your dial at 96.1" 825  
 2203 CBOKt105.1 ON Kapuskasing  
 2204 105.3 CB?? CBC w/ wx forecasts for ONT.  
 2213 CBKIt 98.5 SA Meadow Lk (or is this on 94.1?) (Ed: What freq. you get it on-sail)  
 2213 CFMM 99.1 SA Prince Albert \$ 1080  
 2218 CBJt 96.1 ON Timmins EDT  
 2234 CBKS 105.5 SA Saskatoon 1170  
 2244 CKSB9 89.1 ON Fort Frances t FF  
 2247 unID CBC 99.3  
 2255 CFMQ 92.1 SA Regina 1205  
 2258 CHFA- 101.1 AB FF new?  
 2302 92.5 "92-FM" k  
 2305 KIZZ 93.7 ND Minot \$ 1275  
 2307 CJGL 94.1 SA Swift Current 1285  
 2317 unID 92.7 \$ j  
 2329 KQDY 94.5 ND Bismarck 1360  
 2334 KYYY 92.9 ND Bismarck 1360  
 2344 CIZL 98.9 SA Regina "Z-99" 1205  
 " CFCRt 98.9 AB Red Deer  
 2350 CKUA2 99.3 AB Lethbridge s-off 0100 1440  
 2351 CKUAL 100.9 AB Grande Prairie //99.31320  
 2358 CBX t 90.9 AB Edmonton

2 Es  
 0003 KXET 95.1 MT Havre 1435  
 0059 unID 101.1 MT CBS nx

From FROBISHER BAY NT:  
 AUGUST 7 Gw-Tr  
 C... 97.9 NT Frobisher Bay CFMI xltr 1285  
 C...100.1 NT Frobisher Bay CITE xltr FF

that's all... (My bags are packed, I'm ready to move to NT to DX...saul)



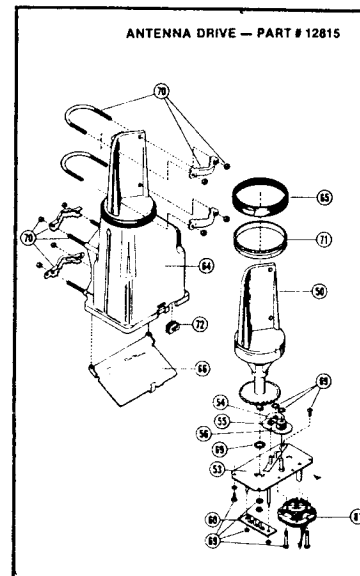
TECHNICAL TOPICS

OBSERVATIONS. It's not too late to get in some meteor scatter DX! The Orionids shower peaks on Oct. 21, and lasts about 5 days. Under clear skies, one can expect about 20-30 meteors visible per hour. (The R.A. is 95°, dec. +15°) These meteors, according to those in the know, originated in Halley's comet. In the April VUD FM Stats column alone, there were 26,112 contacts reported, if I counted correctly. Of these, only 538 are via MS, or barely 2 per cent. There are 600 catalogued meteor showers per year, so maybe one of them will cause some distant signal to tickle your antenna. By the way, don't forget the last blast of autumn, the Geminid shower for 6 days centered on Dec. 14!

QUESTION. Why is it that Radio Shack and Jannel Master rotors (the same model being sold by both) seem to wander and go out of adjustment (not pointing where the control knob says it should be)? Do all rotors have this problem?

ANSWER. The rotor in question was sold as the "Archerrotor" in '82 and as the C.M. 9502A and 9512A. The C.M. 9505 & 9513 models, which used the same mast drive, are also suspect. Several have complained about these models in the VUD... the problem is there are no brakes. Three gears transmit the torque of the motor--with great mechanical advantage--to the mast assembly (50) to turn the antenna. The reverse situation (that is, using the antenna to turn the motor) is made very difficult because torque is supplied to the large gear, which must turn farther to produce work. Thus the antenna is effectively braked for most winds. But a strong gust will exert enough force on the antenna to force the gears to move and displace the motor shaft a few degrees. When the motor is again energized, it doesn't notice the difference and continues out of alignment. To cure this problem most of the time, simply turn the dial CW all the way to N. When the rotor stops, turn the dial CCW back to N again. This will usually synchronize the drive and control on first attempt.

All rotors do not have this problem. However, several relatively inexpensive rotors, especially those sold in discount stores (Gemini, Gold Star, etc.) do. Better rotors use pawls, ratchets, or cast stops to brake and lock the mast.



QUESTION. How do I know the difference between "groundwave" and "tropo" on TV? Can groundwave carry farther than tropo?

ANSWER. Basically groundwave propagation is local line-of-sight transmission and reception. Extended groundwave results when large scale atmospheric changes slightly diffract sky-bound radio signals and allow them to "hug the earth" for a few more miles. Cooling of the land after sunset causes the enhancement of FM and TV signals at night, an effect you may have already noticed. Sometimes a large low pressure cell over your area will cause stations normally just out of range to come in. Propo (tropospheric bending) results from more or less the same mechanism: diffraction. In this case, air masses of different densities have formed a duct ("waveguide") which



# WESTERN TV-DX

Fred McCormack  
Box 5221  
State University Sta.  
Fargo, ND 58105

Deadline: 11- 9-84

October 1984

It's amazing how a few days of decent DX can turn around DX'er's attitudes! Nearly all reporters this time are calling August a good month. This was due to the occurrence of excellent tropo conditions on a number of dates late in the month.

It is hard to pick out the highlights as there were so many fine loggings. I was personally quite pleased to catch KTUL-8 for my most distant VHF tropo at 755 miles. Probably the best UHF (or all around) catch this month was the logging of a number of Colorado translators by Jeff Kadet. But, as I said, there are many excellent loggings in the reports that follows.

There are also more reports of CJBRT, Rimouski, on channel 2. It is beginning to look like they have changed channels, but I think there is still a chance it is a repeater. Can anyone confirm their status?

New \_\_\_ New Mode \_\_\_ Tent. - t Unidentified - unid S/On - + S/Off - =  
ID Color Bars - @ - Unid Color Bars - % IHTP - ¢ Misc. Test Patterns - &

John Jefferson, 4016 Crest Ct., Pleasanton, CA 94566

MLT?

Equipment: JVC AH-7200U VCR as tuner (with Hitachi CT-922 as monitor) fed by a Channel Master VHF antenna and a Winegard CH-9095 UHF antenna. Both are on a 20' mast, about 35' off the ground, the UHF is 3' higher, with Winegard AC-4990 preamp (and separate lead).

As usual, I've let the entire skip season get by without a report. There's little enough of substance, 7 new loggings; but the relogs and unids do add up. Not a great year for TV, but did outscore the FM on Es (only 6 there). The April 7 opening was also the first significant skip seen here in that month.

All, but one logging, were done using the new JVC AH-7200U VCR as tuner/recorder and the Hitachi CT-922 only as a monitor. The exception was KTVC-6 which was seen with the JVC/Hitachi but only ID'd via their audio on the McIntosh MR80. That's the only new logging not on a video cassette.

All loggings, as usual, were seen and/or heard over the locals KTVU-2, KRON-4, KPX-5 (all 25 miles wnw) and KCRA-3 and KVIE-6 (both 40 miles nne).

<u>March 1984</u>	19 Es 1001	KMID 2 TX 1175	5 Es 2120	unid channel 4
7 Es 2121-2256 unids ch 2,4		(MUF 94.7)	6 Es 0805	unid ch2 (MUF 4)
(MUF 94.7)	20 Es 0857	KMID 2 TX 1175	7 Es 2210	CCI on ch 2
8 Es 1938-2040 unids ch 2,4	0906	KTXT 5 TX 1150	9 Es 1643	KSAF 2 NM 890
(Spanish on ch 4)	0930	KENW 3 NM 1050	1929	unids chs 2-4
27 Es 1935-2014 unids ch 2,4		(MUF 100.7-1027)	1936	KWGN 2 CO 915
(MUF 99.1-1952)	21 Es 2208	KMID 2 TX 1175	2001	KSAF 2 NM 890
2000 KMID 2 TX 1175		(MUF channel 5 )	10 Es 1105	KJRHT 2 OK
30 Es 0841-0844 CCI on ch 2	24 Es 2339	KWGN 2 CO		(MUF channel 4 )
2209-2252 unids ch 2-5		(MUF channel 5 )	1300	KSNC 2 KS 1260
(MUF 91.9)	25 Es 0100	unid channel 2	12 Es 1029	CFAC 2 AT 1025
<u>April 1984</u>	29 Es 1943	unid channel 2	1958	CKTV 2 SA 1240
7 Es 0800	2111	KMID 2 TX 1175	2018	unid ch 2 CBS
0824	2334	KDBC 4 TX 970	2058	CKTV 2 SA 1240
		(MUF channel 5 )		(MUF 91.9)
0830		KSAF 2 NM 890	2130	unid channel 5
(MUF 97.1 to NE)	<u>June 1984</u>		2231	CKTV 2 SA 1240
0930	2 Es 1905	unid channel 2	2350	unid channel 3
KPRYT 4 SD	1927	unid channel 4	13 Es 0004	unid channel 6
30 Es 1957	3 Es 0700	KBME 3 ND 1230		(KWIE off 2400 )
XHITt 4 CH		(MUF 91.9-0710)	0023	CFACT 2 AT
(Canal 13 logo )	0730	KNDX 2 ND	ms? 0640	KSAFt 2 NM
(MUF channel 5 )	0746	KWSET 4 ND		(Santa Fe refer)
2100	4 Es	(MUF 105.9-1919)	1436	XEPMT 2 CH
unid channel 2	2051	KSAFt 2 NM	1856	unid channel 4
(Canal 5?)	5 Es 0745	KSNC 2 KS 1260	1907	unid channel 5
<u>May 1984</u>	0800	KCNct 4 CO		(MUF 97.1-1913)
1 Es 2015	0900	WOWT 6 NE 1395	2009	KDFW 4 TX 1425
11 Es 2020		(MUF 92.3)	2049	KMID 2 TX 1175
2046	0959	unid channel 5	17 Es 1000	KMID 2 TX 1175
unid ch 5 (MUF)	2034	unid channel 3	1100	KJRH 2 OK 1425
14 Es 2102				
2103				

Western TV DX

October 1984

John Jefferson (continued)

4 Es 1608	KTXTt 5 TX	25 Es 0722	unid channel 3
1612	unid ch 3 CNN nx	26 Es 0806	unid ch4 (MUF 5)
	(MUF 99.5)	29 Es 0931	unid ch 2 ABC
1622	XEPM 2 CH 970	0939	unid ch2 (MUF 6)
6 Es 1045	unid channel 4	0944	unid ch 4 ABC
1124	XHI t 2 SN	1042	unid ch 2 ABC
	(Cd Obregon ref)	30 Es 2147	unid channel 2
1131	XHBS 4 SI 1150	2234	unid ch2 (MUF 4)
1150	unid ch 6 Sp edu		
	(MUF 100.1)		
1211	unid channel 5	<u>August 1984</u>	
1300	KUAT 6 AZ 745	3 Es 0844	unid channel 2
1302	unid ch 6 TRM	3 Es 1000	KAMR 4 TX
	(MUF 106.3)	5 Es 1425-1438	CCI chs 2-6
1330	XEJ 5 CH 970	6 Es 2020	unid channel 2
1355	KDBC 4 TX 970	2111	unid ch2 (MUF 6)
1400	XEJ 5 CH 970	2123	unid ch 4 Mexico
1503	OKLBY 4 KS 1130	2127	unid ch 2 Mexico
1556	KDUH 4 NE 985		(Possible //ch4)
1655	KTVqt 2 MT	2158	unid channel 3
1659	KBME 3 ND 1230	7 Es 2019	KSAFt 2 NM
1700	KNDX 2 ND		(MUF ch 5- 2107)
1729	KWSE 4 ND	2127	KMID 2 TX 1175
7 Es 1954	XEPMT 2 CH	9 Es 2017	unid channel 2
	(Canal 2, MUF 5)	2030	unid channel 5
8 Es 1523	OKLBY 4 KS 1130	2127	unid ch2 (MUF 6)
9 Es 2158	CKTV 2 SA	2253	unid channel 4
10 Es 1930	unid channel 2	10 Es 0617-0629	CCI ch 2
	(MUF channel 5 )	11 Es 1159	unid ch2 (MUF 5)
1955	KITWO 2 WY 885	12 Es 0900	KMID 2 TX 1175
2025	KDUH 4 NE 985	0906	unid ch3 (MUF 5)
2057	CFAC 2 AT	1823	unid channel 4
2130	KNOP 2 NE 1120	1830	unid channel 3
13 Es 1000-1005	CCI on ch 2		(MUF 107.7-1847)
15 Es 1221	unid ch 2 ABC		(High for year )
	(MUF 88.1)	1903	unid channel 6
16 Es 1927-1948	CCI chs 2-4	2007	KSNC 2 KS 1260
20 Es 2100	KNOP 2 NE 1120	13 Es 1115	unid ch2 (MUF 5)
	2103	1241	XEPMT 2 CH
	unid channel 5	19 Es 1143	unid channel 2
	(MUF 95.5-2117)		(MUF ch 6- 1202)
25 Es 0645	unid channel 2	1230	XEPMT 2 CH
0719	unid ch2 (MUF 5)		

Well, there it is. The WOWT and KUAT loggings were due entirely to the VCR; I was busy at the FM and missed them the first time around, but picked them up on the review. The XEJ logging culminates several frustrating years of pursuit; A unid rooster slide and "Noticinco" news program were verified. Again, the VCR made it possible, as I was able to review the slide and then describe it accurately.

(John, perhaps your tentative KOB on July 1 was KDBC. The city of Las Cruces is in their coverage area. fm)

Jim Pizzi, P.O. Box 1778, Lovington, NM 88260 (505)-396-3251

MDT

Equipment: Panasonic 12" b&w, Sony 8" b&w, Panasonic 13" color, Motorola 19" color, Finco P-7 with EU-4S at 70', CM 6' with EU-4S at 35', Winegard 2073 (channels 7-13) with AC-9730 preamplifier at 75', Winegard 2026 (channels 2-6) with AC-9260 preamplifier at 30', plus other antennas.

<u>July 1984</u>	29 Es 0950	WBBM 2 IL 1035	6 Es 1200	WRCB 3 TN 1035
23 Es 1546	unid ch 2 ne	1000	WISC 3 WI 1013	WSCB 2 GA 1098
1700	XEW 2 DF 960	1030	WCIA 3 IL 959	1228
	unid ch 3 Mexico	30 ms 1800	WDIQ 2 AL 1008	1229
	unid ch 4 Mexico	31 Es 1130	WTWO 2 IN 981	WYFF 4 SC 1206
24 Es 2128	unid ch 2 ne			1530
2130	unid ch 2 Mexico	<u>August 1984</u>	2017	WBRZ 2 LA 783
1s 2228	KCIK 14 TX 201	2 Es 1337	KTVU 2 CA 1116	WVL 4 LA 819
26 Es 1011	WFMY 2 NC 1350	3 Es 1030	KTVN 2 NV 1008	2051
1830	KGFE 2 ND 1058	1100	KCRL 4 NV 1008	2059
2000	WCMH 4 OH 1215	6 Es 1112	CIII2t 2 ON	2115
			(Any other Global 2's?)	2 MI 1120

Jim Pizzi (continued)

6 Es 2130 KGFE 2 ND 1058 13 ms 0227 unid ch 9 ne  
 2257 KGFE 2 ND 1058 0228 unid ch 8  
 2338 XEW 2 DF 960 0235 unid ch 2  
 7 Es 0900 KGAN 2 IA 878 0301 KUTV 2 UT 707  
 0930 KTVU 2 CA 1116 0305 =KTVUt 2 CA  
 2200 KTVU 2 CA 1116 (Thought I heard call)  
 8 Es 1627 WJBK 2 MI 1260 Es 1100 CJFB2 2 SA  
 1903 WDTN 2 OH 1152 (See comments)  
 10 Es 0938 KCBS 2 CA 855 1200 KXLF 4 MT 1004  
 KEYT 3 CA 945 1230 KBCI 2 ID 990  
 KNBC 4 CA 855 15 Es 0959 CKND2 2 MB 1184  
 KTLA 5 CA 855 ms 1030 WTWO 2 IN 981  
 12 Es 1059 WCBF 2 SC 1359 16 Es 0000 WKRN 2 TN 968  
 1629 XEWO 2 JA 840 (ID over Oral Roberts)  
 1703 unid ch 4 s XEW (Briefly, gone by 0002)  
 1800 WISC 3 WI 1013 ms 0003 WKRN 2 TN 968  
 1801 WTMJt 4 WI NBC (Oral Roberts)  
 1802 WOIt 5 IA ABC Es 0755 WDTN 2 OH 1152  
 1859 KDLO 3 SD 967 0800 KTVI 2 MO 824  
 1901 KDLTt 5 SD 0959 KGFE 2 ND 1058  
 2033 WRBL 3 GA 1067 19 Es 0930 KTVU 3 MO 788

19 Es 0930-1030 unids 2-5 ne and east  
 1030 WSB 2 GA  
 21 tr 0659 K31## 31 ??  
 (Unknown KVII- 7)  
 0700 K56## 56 TX 165  
 (Turkey KVII- 7)  
 K58## 58 TX 165  
 (Turkey KFDA-10)  
 0720 K52## 52 TX 196  
 (Childress Primary?)  
 0705 K38AP 38 TX 200  
 (Memphis KAMR- 4)  
 K40AL 40 TX 200  
 (Memphis KVII- 7)  
 K42AL 42 TX 200  
 (Memphis KFDA-10)  
 0730 Plus heavy CCI from Strong City 38, 40, 42. 300  
 0730 OKC 25 and 43 (Snowfree)  
 24 tr 0659 KHTV 39 TX

Deleting logging of 3-18-82 of K53## (WGN- 9). Also, logging of K53AV (KOKH-25) Hollis, OK on 7-25-83 was a duplicate. Also, 6- 1-84 logging of K57## (KWTW- 9) was a duplicate of logging of K57BB (KAUZ- 6), Hollis, OK on 3-18-82. K57BB changed primary to KWTW- 9 from KAUZ- 6.

Re 8-13 logging of CJFB-2: Could have been CJFB-1 or CBCP-2. I'll never be able to log all three of them, so I picked one and will forget the rest! Val Marie is the closest and most powerful - 5 kW. A question about the CJFB translators on channel 2? CJFB-2, Val Marie and CJFB-1, Eastend are listed in TV Factbook at 5 kW. They are about 60 miles apart. I couldn't find a town of Cypress Hill; just a provincial park and a topographical point about 60 miles west of Eastend for CBCP-2 listed at 2.5 kW. Not knowing the terrain, these transmitters seem close to each other for the powers listed; plus no offsets are given for CJFB-1 or CJFB-2. Is it possible that CJFB-1 and CJFB-2 are 5 Watts, not 5 kW and CBCP-2 is correct at 2.5 kW?

Es season one of the worst ever! Tropo not to hot either! MS so-so! 1984 will go down in the books as a wash out. I hope others are doing better. Best of DX, 73's, Jim (Jim, you may rate 1984 as a great year before it is over. All it will take is some super tropo. I suspect some will find it's way to New Mexico in the coming months. fm)

William Draeb, Ellis St., Rt. #2, Kewaunee, WI 54216

CDT

Tropo activity finally came to life during the past week. Es activity slowly came to an end with just a few openings, most of which didn't amount to a hill of beans.

I finally managed to ID KABY-9 on the evening of the 23rd. KDSD-16 was in rock solid with practically no fading, but wasn't real strong. Channel 9 was a real mess with WWTW, WAOW, and KMSP the dominant stations, but KABY rose above them at 2221 for about 5 minutes with local news following the Republican convention.

The morning of the 22nd produced K40AI, Kirksville, Missouri; as well as Kansas City U's booming in snowfree and K33AA translating WISN and KIIN.

More Kansas City U's on the evening of the 24th as well as Springfield and St. Louis, Missouri U's.

Very strong lake inversion on the evening of the 24th with WMVS-10 seen on all hi-band channels.

This morning (8-26, fm), good tropo into eastern Kentucky with WKHA-35 and WKPI-22 snowfree and many others. Here are the details:

July 1984  
 28 tr 2340 WDRB 41 KY 437  
 (Snow free over WUHQ)  
 29 tr 0536 WCAY 30 TN 585  
 (ID at 0559)  
 0602 WLKY 32 KY 437  
 WTVQ 36 KY 473  
 KDNL 30 MO 432  
 (CNN Headline)  
 0830 WCET 48 OH 400

August 1984  
 1 AE 0015 KTVQt 2 MT  
 KYUSt 3 MT  
 KOUS 4 MT  
 unids on chs 5,6  
 0045 CITL 4 AT 1175  
 0105 MTV? channel 6  
 0156 3/4 CB on ch 5

2 tr 1849 WGRB 34 KY 508  
 WTVQ 36 KY 473  
 5 tr 0830 WCET 48 OH 400  
 6 tr 0536 WTVU 29 NY 445  
 Es 1500 CBHT 3 NS 1170  
 WCSH 6 ME 855  
 1620 CJCB 4 NS 1350  
 1800 WLZ 2 ME 925  
 1830 CHSJt 4 NB  
 2117 WBRZ 2 LA 1002

William, Draeb (continued)

6 Es 2130 KATC 3 LA 1026  
 KJACT 4 TX  
 2131 WWL 4 LA 1028  
 (Opening started around 1000. No time to watch then.)  
 9 ls 2102 WOAC 67 OH  
 WPGH 53 PA 480  
 WPTT 22 PA 480  
 Es 2200 KUTVt 2 UT  
 KTVxt 4 UT  
 10 tr 0610 KDNL 30 MO 432  
 (Snowfree @0710)  
 W51AF 51 IL  
 (La Salle LPTV)  
 (Snowfree, as well as central Illinois U's)  
 Es 1230 WESH 2 FL  
 1230 WSAvt 3 GA  
 1230 WPTVt 5 FL  
 11 Es 1947 KUTVt 2 UT  
 KTVxt 4 UT  
 12 Es 2025 unids chs 2 & 3  
 2030 @KLBY 4 KS  
 14 tr 0832 @WCET 48 OH  
 2115 WBKZ 63 IN  
 (Snowfree for the first time at 2140.)  
 15 Es 1910 KSAFT 2 NM  
 tr 2032 WCET 48 OH  
 WBTI 64 OH  
 17 tr 0522 WYTV 33 OH 498  
 19 tr 2041 Indy U's snowfree  
 22 tr 0607 KSHB 41 MO 525  
 KEKR 62 MO 525  
 KDNL 30 MO 432

25 tr 0700 WKYT 27 KY 473  
 WTVQ 36 KY 473  
 Cincinnati U 400  
 WLKY 32 KY 437  
 WDRB 41 KY 437  
 WKCHt 43 TN  
 (Under WKOI. Both plus offset)  
 0722 CFMT 47 ON 410  
 0746 WPBY 33 WV 498  
 1733 WUSI 16 IL 402  
 26 tr 0500 St Louis U's 432  
 0503 WJET 24 PA 405  
 WSEE 35 PA 405  
 WUTV 29 NY 445  
 0512 WUTV 29 NY 445  
 0825 WTVQ 36 KY 473  
 WKLE 46 KY 473  
 WCET 48 OH 400  
 WKON 52 KY 437  
 WCVN 54 KY 407  
 WWTY 27 KY 473  
 0831 WBTI 64 OH 400  
 WPBO 42 OH 461  
 (Nearly snowfree)  
 WTSF 61 KY 486  
 0835 WPBY 33 WV 498  
 1022 WTTT 28 OH 395  
 1030 WKGB 53 KY 530  
 WKHA 35 KY 551  
 (Snowfree o/WGVC)  
 WSNF 15 KY 437  
 WDRB 41 KY 437  
 1043 WKPI 22 OH 554  
 (Snowfree over WSBT and WKEF)  
 WFIX 19 OH 400  
 1105 WFlet 14 IN  
 1107 WGRB 34 KY 508  
 1930 WJET 24 PA 405  
 WQLN 54 PA 405

Ronald Purdue - Route #1, Box 224, Byron, MN 55920

CDT

Equipment: RCA 1982 XL-100 color, J.C. Penney 5" b&w portable, Winegard CH-7084 with Winegard AC-4990 pre-amplifier at 28' above ground level.

August 1984  
 4 tr 0816 WVCY 30 WI 237  
 0819 WCGV 24 WI 237  
 0903 WEEK 25 IL 278  
 6 Es 1601 CBFT 2 PQ 898  
 1604 CBFT2 3 PQ 948  
 1610 CBOT 4(PQ) 810  
 1631 CFCM 4 PQ 1020  
 tr 2134 K78AI 18 MN 225  
 (Grand Rapids STV LPTV)  
 2100 WVCY 30 WI 237  
 2137 WIRT 13 MN 231  
 2140 KDSD 16 SD 306  
 19 tr 0828 WWTW 18 WI 237  
 0831 WCGV 24 WI 237  
 0834 WVCY 30 WI 237

24 tr 1900 WFBN 66 IL 287  
 (Music videos)  
 1901 WSNB 44 IL 288  
 (STV - ON-TV)  
 1902 WHME 46 IN 359  
 1907 WNIT 34 IN 359  
 1917 WCIU 26 IL 288  
 1919 WNDU 16 IN 359  
 2053 WWTW 18 WI 237  
 2100 WVCY 30 WI 237  
 2113 WMTV 36 WI 237  
 2117 WLRE 26 WI 222  
 2130 WXGZ 32 WI 219  
 28 tr 2004 WCFC 38 IL 288  
 2006 WTVP 47 IL 278

28 tr 2008 WSNB 44 IL 288  
 2009 WBBS 60 IL 268  
 2014 WEEK 25 IL 278  
 2017 WCIU 26 IL 288  
 2024 WBLN 43 IL 310  
 2041 WMBD 31 IL 278  
 2045 KDUB 40(WI) 145  
 2100 WYCC 20 IL 288  
 2104 WFBN 66 IL 287  
 2122 WHME 40 IN 444  
 2125 WFLD 32 IL 288  
 29 tr 0713 WQRF 39 IL 218  
 0738 KDNL 30 MO 395  
 2028 WDSE 8 MN 190  
 2030 KBJR 6 MN 190

August has been a superb month for DX'ing, with the 6th producing a mixed bag of Es and tropo, with CBFT-2 in Montreal broadcasting the Canadian Olympic basketball team in French.

The 24th and 28th were the days with good tropo off to the southeast. I managed to log two new stations, including new WBLN-43 in Bloomington, Illinois rebroadcasting WFLD-32 in Chicago with White Sox versus Blue Jays baseball.

It won't be long before KXLI-47 in Rochester will go on the air. I checked the



## Jeff Kadet (continued)

Thanks to Nate Ely for the help in ID'ing CBLFT-23-16. Are they still really .0053 kilowatts?

I am waiting for the new Zenith VHS VCR's to come out. I ordered their top of the line stereo VR 4000. I was planning to use it to DX by remote and save twisting the dials on the Zenith TV to death. Unfortunately, although the sensitivity of it's tuner seems fine, the noise level is so high as to make it worthless for UHF DX'ing. Any suggestions of a better VCR for that purpose?

Total now at 442. 73.

(Your observation is correct about the offset of KXTX being the same as that of WQRF. They are both zero. With regard to your deleting of XEW, I would like to comment that slightly over 1500 miles is not an unreasonable distance for single hop Es. I have numerous loggings in the range of 1500-1550 miles, and they were not double hop. If the E layer is not high enough to support that distance, I assume those distances to involve a long hop with some tropo extension at one end or the other. I do think, however, that there is an excellent chance that some of your loggings, at least, were not of XEW/XEWO, but were of a relay. I dropped an assumed logging of XEW from my log book after discovering years ago that commonly seen XEPM was an XEW relay. I tend to believe that many of the reports of XEW in the bulletin, particularly the double hop ones, are erroneous. The latest TV Factbook indicates that XEW has 157 repeaters. Also, the same source indicates that the power of CBLFT-23 is 5.3 kw. fm)

(Here are a few possible ID's for your unidentified translators: ch 61 of KCCI-8 on 8-15 at 0158 is probably K61AG (KCCI- 8) from Unionville, MO; ch 25 of KSMG-11 on 8-22 at 0451 is probably K25AG (properly KGIN-11 via K55AF at Cozad, NE) from Cambridge, NE; ch 18 with country music on 8-24 at 0520 may be K18AM (LPTV) from Ponca City, OK; ch 64 with STV on 8-29 at 0137 is probably W64AU (LPTV) from Adams, WI owned by Adams S.T.V. Inc.; and ch 64 of KOOD- 9 on 8-29 at 2200 is probably K64BS (KOOD- 9) from Concordia, KS. fm)

Nathaniel Ely, 1237 East Johnson St., #2, Madison, WI 53703 (608)-257-5220

CDT

Equipment: Quantum 1110, C.M. 7' dish with 4990 preamp at 61', 70'/30' runs of .412/RC-11 cable, H-D 73 rotor, 1980 System 3 with remote. Grove Scanner Filter III for UHF. Blonder-Tongue DA-405 post amplifier (when locals off the air). Tower, QDMX MD-56 (free standing)

August 1984	13 tr 0215 CKCO3 42 ON 485	25 tr 0146 KSHB 41 MO 400
1 Es 0119 CKSA 2 AB 1170	0217 CIII22 22 ON 355	0147 KYFC 50 MO 400
0144 CKBI 5 SA 1050	0915 WQLNt 54 PA	0218 KSFY 13 SD 400
(Looked like Ae)	17 tr 0728 W46AC 46 MI 230	0244 WCEE 13 IL 340
2 tr 0100 KMEG 14 IA 360	(Traverse Cty WMCL- 6)	0251 WTCT 27 IL 375
6 Es 1200 WESH 2 FL 1090	(Quite strong)	0258 W64## 64 WI
1223 WUFTt 5 FL	0750 CKCO3 42 ON 485	(Unknown STV Spectrum)
1230 WJXT 4 FL 975	0752 CleveLnd U's 400	0357 WXYZ 7 MI 315
1241 KMID 2 TX 1025	0830 W39AA 39 IN 245	Also 56, 62 good
1327 unid ch 2 Mexico	(Ft Wayne WEGU-577)	0419 WTVw 7 IN 375
1358 WNEW 5 NY 800	0900 WYTV 33 OH 460	WBNS 10 OH
1400 WGBH 2 MA 970	19 tr 0048 WLEXT 18 KY	0423 CKCO3 42 ON 485
WCBS 2 NY 800	0135 WEHT 25 IN 375	0445-0530 Iron Mtn xls
1430 unids chs 5, 6 n	0137 WXIX 19 OH 375	43, 47, 57, & 59.
unids chs 2,6 FF	0850 WEVvt 44 IN	Also Escanaba 76
1456 CJBRT 2 PQ 1040	22 tr 0122 KSHB 41 MO 400	0517 @WKEF 22 OH 350
(New channel)	0123 KYFC 50 MO 400	0535 @WCIA 3 IL 230
1525 CFM 4 PQ 910	0140 CBLFT23 16 ON 410	0540 KELO 11 SD 400
1556 CFERT 5 PQ 1040	0202-0217 Iron Mtn xls	0550 @KFVS 12 MO 400
(TV Factbook 81-82 only	47,43,57, and 72	0553 @KOLR 10 MO 465
lists two channel 11's	0216 W76AI 76 MI 215	0555@CBLFT23 16 ON 410
for this call. Could	(Escanaba WLUC- 6)	0617 WNUF 10 MI 300
this be a channel chge	(But w/ WITI- 6)	1831 KBJR 6 MN 300
for Rimouski? I have	24 tr 0126 =WDIO 10 MN 300	Also chs 8 & 10.
a photograph.)	0127 =WDAY 6 ND 445	1911 WKHA 35 KY 575
1700 WABI 5 ME 1050	0137 =KNMT 12 MN 360	1917 WLKE 46 KY 430
1711 CHSJ 4 NB 1110	0150 KELO 11 SD 400	WUSI 16 IL
1730-1751 unid chs 5,6	0153 KSFY 13 SD 400	1918 WCVN 54 KY 380
(Showing 60 Min-	0156 KMEG 14 IA 360	2048 WFIE 14 IN 375
utes on Monday	0223 KBGT 8 NE 460	KMEG 14 IA 360
night. Canada)	0230 KABY 9 SD 485	2056 WCET 48 OH 375
2100 WLBZ 2 ME 1050	1000 WCET 48 OH 375	2217 WKON 52 KY 390
2142 WBRZ 2 LA 880	25 tr 0057 KBGT 8 NE 460	WKMA 35 KY 415
13 tr 0200 W32AC 32 IN 275	0100-0145 Nice call	2308 =WKSU 29 KY 480
(Muncie PTL)	from Jeff Kadet	

## Western TV DX

October 1984

Nathaniel Ely (continued)	27 tr 0215 &CBETt 9 ON	29 tr 1148 K33AA 33 IA 240
	(Wrote for veri)	(Ottumwa KIIN-12)
26 tr 0049 WTVQ 36 KY 430	28 tr 0045 K57CN 57 MN	KSPR 33 MO 465
0154 WXIX 19 OH 375	(Wabasha KSTP- 5)	1152 W49AA 49 IL 230
27 tr 0038 KMTC 27 MO 465	W57AR 57 WI	(Springfield WCIA- 3)
WTCT 27 IL 375	(Sayner WSAW- 7)	1200 KTVP 29 AR 545
0100 =KLRT 16 AR 600	0216@CBLFT23 16 ON 410	1434 KBST 23 MO 400
(New state # 35)	29 tr 1143 KTEJ 19 AR 505	

With all the equipment hassles I've had it's a wonder that I logged any new stations. On the 6th, I watched my VHF antenna disconnect itself during the only Es seen this month. I didn't get the VHF antenna reconnected until the 24th. I missed a crack at this month's meteor showers. On the 10th, I returned from Iowa to discover my VCR and stereo smoking away. Apparently, the house current was struck by lightning. At least the tower was disconnected. On the 20th, the Zenith died. I found out days later that I only needed to replace the line fuse, but this wasn't before I ran out and bought an RCA 12" black and white. More on that next month. On the 25th, I discovered that the automatic outcut on the HD-73 did not work (the one that shuts off your rotor when it overheats). I literally ran it until it smoked. Luckily, no great damage was done. In addition to this, I've got an intermittent short in my UHF transmission line and after two service calls it is no better.

I hope someone can nail down that channel 64 carrying Spectrum STV. It can't be far away because it's detectable even during the worst conditions. At least this month I can say that I was satisfied with the tropo conditions. Hope September has some good dates for us. 73, Nate

(Nate, I believe your unid 64 is the same 64 reported by Jeff Kadet. See my comments at the end of his report. I calculate the distance from Madison to Adams to be about 67 miles at a bearing of 340 degrees. Also, I find a listing in the latest TV Factbook for CFER-2 on channel 5 from Sept. Isles-Gaspe Nord, PQ with an erp of 11.7 kW. This is certainly your logging of August 6 at 1556. I didn't catch Es that date until 2130 and then no ID's. It looks like it was a good one earlier! fm)

Fred McCormack, 135 Prairiewood Drive, Fargo, ND 58103

CDT

Equipment: VHF: Broadmoor 9" black & white, Winegard CH-7078; UHF: Magnavox 19" color, Winegard CH-9095, Blonder-Tongue CMA-Uc pre-amp; Alliance rotor.

\* An asterisk indicates DX from my office at Halstad, Minnesota.

August 1984	23 tr 2327 WHA 21 WI 445	24 tr 0618 unid channel 16
	24 tr 0001 KDUB 40(WI) 425	0626 WUHQ 41 MI 630
16 tr 2156 WLREt 26 WI	0011 WFLD 32 IL 570	0642 WIHTT 31 MI
2157 WPNet 38 WI	0057 WCFC 38 IL 570	0644 @WQRF 39 IL 490
17 tr 0540 WLRE 26 WI 460	0109 =WMTV 15 WI 445	0648 WFUMT 28 MI
0548 WGTut 29 MI	0137 WQAD 8 IL 450	0754 WSNs 44 IL 570
0600 WKGZt 32 WI	0140 KOLN 10 NE 420	0855 @BWFT## 15 ON 190
23 tr 2059 WLRE 26 WI 460	0145 KETV 7 NE 385	(Fort Francis)
2100 WPNE 38 WI 455	0459 +WLRE 26 WI 460	0858 WXMI 17 MI 620
2126 WCUI 26 IL 570	0505 @KWML 7 IA 395	1158 WGTU 29 MI 580
2136 K23AA 23 NE	0520 WFSL 47 MI 670	26 tr 2321 K78AK 78 MN 115
(// Nebraska ETV)	0521 @WGV 35 MI 595	(Cass Lake KDLH- 3)
2144 WBBS 60 IL 570	0523 WMTV 15 WI 445	27 tr 0013 K63AS 63 MN 160
2145 WSNs 44 IL 570	0527 @KTUL 8 OK 755	(Williams KTHI-11)
2152 WVTV 18 WI 505	0541 @WYCC 20 IL 570	0025 K61AR 61 MN 160
2200 WVCYt 30 WI	0542 WFLD 32 IL 570	(Williams WDAZ- 8)
2214 WEEK 25 IL 560	0543 WFWR 60 IL 570	0558 K79BK 79 MN 250
2237 WKOW 27 WI 445	0544 @WFBN 66 IL 570	(Fairmont KTTIC-10)
2258 WYCC 20 IL 570	0548 @KOKI 23 OK 750	*1130 KYNE 26 NE 410
2314 WQRF 39 IL 490	0551 WIFR 23 IL 490	28 tr 1919 WBLN 43 IL 575
2326 =WCMU 14 MI 625	0552 @KGCT 41 OK 750	

A few fun days of DX made August a memorable month for TV DX. Finally, super tropo struck again! I was stunned the morning of 8-24 to find KTUL-8's ID'd color bars fighting it out with KBGT-8 (I assume) and winning, at that. There signal easily dominated the channel for at least fifteen minutes. With so much DX it was hard to know where to watch. It seemed that the best directions (for quantity) were east and southeast, so I hope I didn't miss any long haul from the south. I have good verifiable program details on the tentative WVCY-30 and WIHT-31 loggings, but requests for help to them have, so far, gone unanswered. Translators on the 26th and 27th logged with a Teknika 6401 converter.

# EASTERN TV-DX

William J. Drneb  
Ellis St., A.R.#2  
Kewaunee WI  
54216

Eastern TV-DX

Mc Vicar; continued---

October 1984

October 1984

Frank Wheeler; 6589 Wattsburg Rd., Erie PA 16509 EDT

June 1984	July 1984	July 1984
25 Es 2100 KNDX-2 ND 1169	25 Es 1100 KPRC-2 TX 1210	31 Es 1700 KTVS-3 CO 1128
27 Es 1100 KJRH-2 OK 943	26 Es 1828 WBRZ-2 LA 1159	
	1900 WDIQ-2 AL 815	August 1984
July 1984	2000 KBTX-3 TX 1199	6 Es 1100 CBFT-3 NS 804
5 Es 1730 WBRZ-2 LA 1159	2030 KSNK-2 KS 1015	1330 KPRC-2 TX 1210
1800 KTBS-3 LA 1005	2200 KLNK-3 NE 1016	Tr 1800 CBFT-2 PQ 400
11 Es 1055 WPBT-2 FL 1095	28 Es 1933 WDIQ-2 AL 815	12 Es 1400 KJRH-2 OK 943
12 Tr 0830 WGTE-30 OH 185	31 Es 1300 KARK-4 AR 929	2130 KWGN-2 CO 1128
25 Es 0900 WPBT-2 FL 1095	1328 KOET-3 OK 1005	15 Tr 0925 WBBG-12 NY 216
1000 WEDU-3 FL 998	1658 KTWO-2 WY 1322	(WICU off for 45 min.)
		16 Es 1100 KFDX-3 TX 1144

Deadline: 1st

Equipment: 1977 Sylvania 24" color set; Archer VU 160 antenna; Servo Rotor.  
Totals: 289 received 215 veries.

W.R. Hepburn; A.E.S. WX STN, Hall Beach NWT XQA QKQ CDT

Finally some TV-DX from the Arctic (Coral Harbour). Most openings reaching top of FM band. Channel 2 signals powerful but chs. 3-6 rather weak. Most (or all) openings late evening/midnight. Why? (Probably induced by aurora activity. I've seen those types of openings here too.-wd) Only local TV was ch. 9 so low band wide open. Here in Hall Beach, local CBC is ch.7, but leakage from cable on chs. 2, 4, 6 is a problem (usually HBO, CBC, WTBS respectively). Audio only on the following loggings.

July 1984	July 1984	July 1984
4 Es 2232 CITO-3 ON 1085	14 Es 2143 unid-2; weak	31 Es 2358 CBKT1-4 SK t
Timmins	15 Es 2059 CBWFT-3 MB t FF	
2242 MUF to 105.3	CBWFT7-2 ON t FF	August 1984
2331 CKPR-2 ON 1110	KGFE-2 ND 1230	1 Es 0021 CITL-4 SK 1175
Thunder Bay	Grand Forks	Lloydminster
8 Es 2225 MUF to 107.9	2201 MUF 106.9	0025 CKSA-2 AT t
2228 CITO-3 ON 1085	2228 KDLH-3 MI 1245	2142 Unid-2; FF
2229 CKND2-2 MB 1125	Duluth	2 Es 2130 CBFT-2 PQ t
Minnedosa	2305 WJMN-3 MI 1265	2137 CKVR-3 ON t
9 Es 0004 KDLO-3 SD t	Escanaba	2222 CFCL-6 ON t
0016 KGFE-2 ND t	18 Es 0001 MUF to FM	2234 MUF to 105.5
11 Es 2154 CBWFT-3 MB t FF	0029 Unid-2; Canadian 3	0021 CKCK-2 SK 1205
CITO-3 ON 1085	31 Es 2103 MUF 107.9	0022 Unid-3; Canada
CKND2-2 MB 1125	2358 CKCK-2 SK 1205	0025 CKCK-2 SK 1080
2200 MUF 105.1	Regina "CKTV"	Star City-
2230 CKPR-2 ON t	CFSS-3 SK 1225	Melfort "QC-8"
2257 CFSS-3 SK t	Warmley	0213 CKCK-2 fade out.

Equipment: Sears 12362 multi-band receiver with whip antenna.

R.R. Mc Vicar; Box 1048, Prescott ON QOE 1T0 EDT

Enclosed are a few recent loggings for your column in the VUD. I hope that I got the format right. I'm used to the SWBC kind of stuff. After several tries I'm finally a member of the WIFDA. It seemed that, in the past, every time I got around to sending away for a membership application, the club would move its H.Q. and my letter would always get lost! Anyway, my first bulletin arrived today, and I certainly hope to be a regular pest to the Eastern TV-DX pages.

You've probably never heard of Prescott. We are a fairly small town (4590 people) on the St. Lawrence river, just across from Ogdensburg NY. That is also 60 mi. south of Ottawa. It is a great location for TV DXing, as there are no local stations on chs. 2, 3, 5 and ch. 6 in Hull is quite weak, with their 12.5 kw. Ch. 4 in Ottawa is also not much of a problem, as the Es is usually from the opposite direction, and strong enough to wipe them out.

The equipment I use here is certainly nothing fancy. Our (VHF) antenna has been up on its mast since I was a little kid, and I don't know what model it is, except that it's a Delhi. The UHF antenna is Radio Shacks least elaborate model, but seems to work when conditions are good. (I suppose a tin-can works

when conditions are good). The TV itself is an RCA model CGA 794 L, a nice big colour set, but with the stupidest push button tuner imaginable (to get from channel 3 back to 2, one has to push the darn thing from 3, through to 13, eight UHF selections, and then 2!)

My older brothers, as well as my dad, got me into TV DX when I was about 7 years old, and I've been well-stricken with the disease ever since (I'm almost 24 now). My record to date is: 37 states, 7 provinces, and Cuba. Best catch of all is KRTV-3 Great Falls MT at 1720 mi. I'm also a hound for QSL's. It's very refreshing to get such a high return rate for TV QSL's after sending dozens of unanswered Spanish reports to SWEC stations in Latin America! 73.

August 1984

6 Es 1458 WNGE-2 (now WKRN-wd.) Nashville TN; "ABC News Brief", one ad was for "Nashville Music Festival". 830 mi.  
1630 KINT-3 Mason City IA; ads, KINT I.D. 870 mi.  
1656 KDLO-3 Florence-Watertown SD; "Capitol" soap opera, CBS promos, I.D., four cereal ads in a row (you really could tell this was from the midwest!) "KELO Calendar", I.D. and "Captain 11" show. 1060 mi.  
1731 KXJB-4, Valley City ND; BJ & the Bear, ad for "Summertime Gold" record set, with address in Fargo given for orders. (1090 mi.)  
1957 WTVY-4 Dothan AL; local ads, I.D., "Scarecrow & Mrs. King". (1070 mi.)  
2058 KETS-2 Little Rock AR; PBS program promos, I.D. for all Ark. public stations, "Great Performances". (1120 mi.)  
1754 Unided (suspect CBWCT-5 Ft. Francis ON; French programming, end of the "Fall Guy" in French; newscast, some local ads which I'll get my bi-lingual brother to listen to, ad for P.C. party (we have elections on 9/4), sports. Channel 3 in Winnipeg and ch.2 in Kenora both in at same time. Ft. Frances is 890 mi.  
14 Tr 0658 WBEZ-4 Boston MA; ads, incl. "Bailey's Cars" with Boston phone no. given, I.D. - "On the move, whatever happens, SKY-E 4 is there", into "Today" show. 270 mi.

Robert Grant; 5775 Bishop, Detroit MI 48224 EDT

July 1984	July 1984	August 1984
26 Es 2130 KOAA-5 CO	26 Es 2200 WBDU-3 FL	1 Au-Es 0100 CFSS-3 SK t
		Unid-3; 15khz

Where has all the propagation gone? I might never beat to above. hit 300 under these circumstances. Maybe I should just give up or build a large number of tiny pirate stations for the sole purpose of logging them and increasing station totals, hi!

I'll be working on a stereo TV adaptor and if it works I'll put the diagram and instructions in the VUD.

Bob Seybold; Dunkirk NY

July 1984  
12-13 - Trops both days; Chicago U's 26,32,38,44,60,66; Michigan U's 14,17,19,20,23,25,28,31,41,47,50,56,62,66,67(xltr); Indiana U's, S.Bend, Ft. Wayne; WKOI-43, WIPB-49; Wisconsin U's including new WSCO-14; also Green Bay, Milwaukee, Madison U's; also Binghamton, Elmira, Utica U's; also WTEY-54, CHOT-40, CF10-30, C100-24, Ottawa-33; CBLFT-32, 15 and many xltrs; WNPE-16, WNPI-18.

14 Tr Chicago U's 26,32,38,44,60,66; S.Bend 16,22,28,34,46; Ft.Wayne 15,21,33,39(xltr),55.

15 -20 Tr fairly good in this period. MI, IN, OH, NY, PA U's on most days.

21 Tr good on east-west path; MI U's excellent, Binghamton, Utica, Watertown, Elmira; OH U's good 17,21,22,23,24,25,26,27,30,33,34,43,44,45,49,52,57,61,64,65,67(last 3 xltrs). WKOI-43, Ft. Wayne & S. Bend U's.

26 Es - No I.D.'s. Some morning trops.

28 Tr - Rare surprise morning opening into TN, AL, KY including WAFF-48, WKPT-19, WTWK-26, WKMR-38, WKPI-22, WTSF-61(new), WKCH-43(new) & others.

August 1984

4 Tr WSNL-67(new), WGGN-52, WOUB-20, WOUC-44, W41AA, WGSF-51, WBFF-45, WMPB-67



WDCA-20, WETA-26, WCQR-50; Philly 17,29,57; NJ 23,50,52,58,65,68; also Allentown, Red Lion, Lebanon, Hershey, Harrisburg, New York U's; WTKK-66, WTEY-54, WCDC-19, WCNV-24, WNPB-16, WNPB-18, WNDS-50(new).

5 Tr - Convention loggings (my DXing) WSNL-67, Canton, Columbus, Philly U's; NJ 23,52,58,65,68; WNDS-50; Baltimore U's; WTEY-54, WCDC-19, W36AB; Allentown 39,69, Red Lion 49; York 43, Harrisburg 21,27; WITF-33; WFAT-19, WOPC-23(new), CICO-19, WTAP-15, WHIZ-18, WKPT-19, WCET-48.

7 Es - A.M. FL, MS, LA, TX, - P.M. PQ, NF, NS, with several new including CBJRT-2 and many others on chs.2-6; then later Bryan, Wichita Falls, Houston, etc. chs.2-6 very intense signals.

6 Es - LA, TX, FL, MS, OK, etc. Tr good; Lexington U's, Binghamton U's, MI, OH, IN U's.

8 Es - A.M. KLEB-4(new)

9 Tr - P.M. Ft. Wayne U's; WBGU-57, WTLW-44, WURQ-41; Louisville 15,32,41; Terre Haute 38; Indy 20,40,59; WOSU-34, Mansfield-47(xltr), WKEF-22, WTJC-26, WGGN-52, WIPB-49, WPBO-42, WNDU-16, WCET-48, WTVQ-36; A.M. Tr WDLI-17, WXMI-17, CHOT-40, WUCM-19, WTEE-28(new), WOSU-34, WQEX-16, WSBT-22, WFAT-19, CICO-19, WCFC-38 + ON U's 15,32,44; Binghamton & Elmira U's.

10 Tr - A.M. Huntsville Ont ch.11(new) and new ch.51 in ON testing color bars; call? (you got me.wd). WHIZ-18, WKPT-19, WUTR-50, WGSF-51, WPBO-42, WCET-48, CHOT-40, WKJG-33, WTVQ-36, Ohio U's 22,26,28,34; WDRB-41, WBGU-57 and others.

11-18 Lost record of DX loggings but some fair to good Es and Tr.

18 Tr - East good; WCDC-19, WTEY-54, WNPB-16, WNPB-18; Elmira, Binghamton, Utica, Syracuse U's all good; WNY-22, WXXA-23, WCFE-57, WSNL-67, WVIT-30, WNDS-50, WHRT-21; Chicago U's, MI U's good, S.Bend, Ft.Wayne, Bowling Green, Sandusky, Toledo U's and others.

19 Tr A.M - Baltimore U's, WNPB-22, Washington U's, WTKK-66, WPHL-17, WTAP-29, WCDC-19, WUTR-20, Harrisburg U's, Hershey, York, Allentown, Johnstown, Allentown, Altoona U's, WTAP-15, WUCM-44, WOSU-34, WHIZ-18, WTXN-20, WCFE-57, WNV-53, WBOC-16, WCPB-28, WPTF-28, WHRO-15.

Bill, this month has been rather active DXwise for me although real super openings have really not been there but still some good DX on frequent occasions. Several new ones have put my totals up near 925. Es was really down this summer but tropo have been fairly good. I don't really mind if you put DXers totals in reports if they send them. My stats column will be only on a every 3 or 4 month basis mainly because of not enough material and being too busy to do it every month. One other thing I don't believe I ever put in my report equipment, etc. used so I'll do it this time so readers will know. Equipment used is small VHF antenna and 7' Finco dish with Blonder Tongue Americana pre-amp at one location (my TV service repair shop). Antenna height about 40-45 ft. above ground and 600 ft. above sea level. At another location I use Finco 5' UHF dish and Blonder Tongue Americana 75 amp (about 14 db) on rotor, so VHF antenna at VHF antenna at about 35 ft. above ground but 1850 ft. above sea level (5 miles from other spot) on high hill. Another spot is 2000 ft. above sea level but can use only 4 bay bow tie at 10 ft. use portable RCA battery powered. This spot about 7 miles from home, also one more spot on same setup 1950 ft. Some spots are open in some directions but slightly blocked by hill in another direction. Therefore not all loggings are at some spots. No Es except at low location.

Last minute DX: Aug. 20,21,22 brought super tropo. Got several new; opened to South along east coast and inland. many stations in 400-900 mi. range; NC, SC, TN, KY, AL, VA and tentative FL. Hope you are getting lots of DX.

John F. Combs; 2485 Ivan Ct., Orlando FL 32807 8554

August 1984

August 1984

2 Tr 2205 WSAV-3 GA 240  
WTOC-11 GA "

13 Ms 0202 WBRZ-2 LA 608  
Baton Rouge  
"Star Trek"

August 1984

16 Es 1005 Noted; no time.  
Tr 2300 WCIV-4 SC 304  
WCSC-5 SC 303

Purchased a used 5' dish from Mike Bugaj -- thanks, Mike! We are 90% certain we will be moving to the Jacksonville area in the next couple of months. There will likely be a gap in serious reporting for me as I haven't much time to monitor now, and will have an antenna-less period during the move. Hope to re-appear here as soon as possible.

Thomas J. Yingling; 221 Pinewood Road, Baltimore MD 21222 EDT 1-301-282-5649

All DX from Mt. Davis, PA.--wd July 1984 Magnavox VHS-VCR  
August 1984 August 1984 21 Tr 1310 WPTT-22 PA Quantum 1114 at

1 Tr 0025 WVIR-29 VA	9 Es 2040 KATC-3 LA	22 Tr 1320 WNPB-24 WV 45'; Finco 5'
0030 WRLH-35 VA	2045 KTBS-3 LA	1325 WWPB-31 MD dish at 50'
0045 WLFL-22 NC	2055 WEDU-3 FL	1330 W36AB MD Amps; Winegard
0100 WYAH-27 VA	2100 NTV-3 Cuba	1335 WPCB-40 PA BC-234 for VHF;
Es 0105 KSNW-3 KS	2105 WEAR-3 FL	1340 W48-- WV Blonder Tongue
0130 KINT-3 IA		
9 Es 2020 KSNW-3 KS	July 1984	Equipment: Sony KV-1214 DX Labs EU-4s
2030 KLEB-3 NE	21 Tr 1305 WFAT-19 PA	Trinitron 12" color. on 7 el. beam.

## STATION BREAK

WTFDA H.Q.  
P.O. Box 514  
Buffalo, NY 14205

WTFDA member ads only. 3 line or 30 word limit.

FOR SALE - 1 Archer 4 set distribution amplifier; 8 dB gain VHF, 6 dB UHF; \$20. Tim Clampitt, 2291 Milkey Rd., #3 - Saline MI 48176.

LOST - Second half of E-skip season. Last seen on July 7th. If found please return to mid-latitudes, no questions asked. Also in dire need of 1000 mi. tropo duct. Any spares around? Nathaniel Fly, Madison WI.  
(Nate - let us know if this works -HQ)

FOR SALE - FRENEX Shortwave Bulletins. 69 different issues from Oct '76 to Oct '84, \$1.00 each. WRTH '76, '77, '79, '80, '81, '82, '83, '84, \$6.00 each. Prices include postage. Michael Cunningham, Box 615 - Cooper Stn., Harrisville WV 26362.

Your non-commercial ad can appear in the VUD free of charge! Got a piece of DX gear you'd like to sell? Looking for something? Advertise in STATION BREAK. This feature appears on a space available basis. Please note: advertisers' addresses not counted as one line.

WTFDA assumes no responsibility for any claims made by advertisers--our trust is implicit, as fellow DXers.

# VHF UTILITY DX

VHF UTILITY DX focuses in on loggings from Dave Jones (Dayton, OH) and Robert Schweitzer (Old Bridge, NJ). Utilities from Pennsylvania continues a series on utilities.

Donald L. Blevins  
1657 Essextowne Circle  
Baltimore, MD 21221  
phone: 301-391-3408

Robert Schweitzer  
loggings

BERNARDS TOWNSHIP NJ  
BARKING RIDGE NJ  
BFR 1 154.31  
MONTGOMERY FIRE DEPT  
BELLE MEADE NJ  
KYO 225 154.43  
BELLMAHR PARK FD  
BELLMAHR NJ  
KJK 204 154.31  
MONTGOMERY FIRE DEPT  
BLAWENBURG NJ  
KJK 204 154.31  
MONTGOMERY FIRE DEPT  
BLAWENBURG NJ  
KCL 783 154.31  
BOUND BROOK FIRE DEPT  
BOUND BROOK NJ  
KMU 993 154.31  
SOMERSET COUNTY FIRE  
BRIDGEWATER TWP NJ  
KBS 700 154.13  
PEMBERTON TOWNSHIP  
BROWNS HILLS NJ  
KGV 784 154.31  
CHATAM BOROUGH FD  
CHATAM NJ  
KEH 308 154.31  
LONG HILL FIRE DEPT  
CHATAM NJ  
KMA 584 154.22  
COUNTY OF BURLINGTON  
CHARTSWORTH NJ  
KUE 556 154.13  
COUNTY OF MONTGOMERY  
DRESHER PA  
KGV 989 154.31  
MILLSTONE VALLEY FD  
EAST MILLSTONE NJ  
KEA 489 154.31  
CITY OF EAST ORANGE  
EAST ORANGE NJ  
KDY 387 154.445  
CITY OF ENGLEWOOD  
ENGLEWOOD NJ  
KFK 655 154.43  
HUNTERTON COUNTY  
FLEMINGTON NJ  
KDF 510 154.445  
FORT LEE FIRE DEPT  
FORT LEE NJ  
KEJ 757 154.13  
FRANKLIN TOWNSHIP  
FRANKLIN TOWNSHIP NJ  
KAZ 202 154.43  
MONMOUTH COUNTY  
FREEHOLD NJ  
KAZ 202 154.22  
MONMOUTH COUNTY  
FREEHOLD NJ  
KEH 660 154.43  
CITY OF GLOUCESTER  
GLOUCESTER NJ  
KWH 256 154.43  
HOWELL TOWNSHIP  
HOWELL TOWNSHIP NJ  
KEF 543 154.43  
LAURENCE TOWNSHIP  
LAURENCEVILLE NJ

BOURGH OF LITTLE RIVER  
LITTLE RIVER NJ  
FR 898 154.43  
LITTLE SILVER BOROUGH  
LITTLE SILVER NJ  
KDH 389 154.16  
LYNDHURST TOWNSHIP  
LYNDHURST NJ  
KEO 287 154.43  
MANALAPAN TOWNSHIP  
MANALAPAN NJ  
KAT 59 154.43  
MANALAPAN TOWNSHIP  
MANALAPAN NJ  
KOP 612 154.43  
MANALAPAN TOWNSHIP  
MANALAPAN NJ  
KEU 767 154.31  
FRANKLIN TOWNSHIP  
MIDDLEBUSH NJ  
KEN 968 154.3  
HILLSBOROUGH TOWNSHIP  
MESHANIC NJ  
KEB 524 154.43  
CITY OF NEW YORK  
NEW YORK NY  
KEB 524 154.42  
CITY OF NEW YORK  
NEW YORK NY  
KEC 989 154.13  
CITY OF NEWARK  
NEWARK NJ  
KEE 490 154.43  
TOWNSHIP OF PENNSAUKEN  
PENNSAUKEN NJ  
KEG 750 154.13  
BITMAN BOROUGH  
BITMAN NJ  
KGG 598 154.31  
PORT REPUBLIC UFD  
PORT REPUBLIC NJ  
KOR 939 154.16  
BOROUGH OF RUTHERFORD  
RUTHERFORD NJ  
KES 734 154.3  
BRIDGEWATER TOWNSHIP  
SOMERVILLE NJ  
KGL 510 154.13  
UNION FIRE DEPT  
TITUSVILLE NJ  
KEE 555 154.43  
KAUSING ROSE COMPANY  
TRENTON NJ  
KEG 613 154.43  
HAMILTON TOWNSHIP FD  
TRENTON NJ  
URW 710 154.43  
WHITE HORSE FIRE COMPANY  
TRENTON NJ  
KE 74 154.43  
EWING TOWNSHIP  
TRENTON NJ  
KDG 375 154.43  
UNION BEACH UFD  
UNION BEACH NJ  
KMA 587 154.22  
COUNTY OF BURLINGTON  
WESTAMTON NJ

METROPOLITAN EDISON  
37.56  
METROPOLITAN EDISON  
37.66  
METROPOLITAN EDISON  
37.60  
METROPOLITAN EDISON  
37.62  
METROPOLITAN EDISON  
451.125  
METROPOLITAN EDISON  
451.10  
MONROEVILLE WATER AUTHORITY  
153.515  
MUNI AUTH OF WESTMORELAND COU  
153.68  
MUNICIPAL AUTH OF ALIQUIPPA  
47.74  
NEWTOWN ARTESIAN WATER COMP  
153.695  
NORTH PENN GAS COMPANY  
48.24  
NORTH PENN WATER AUTHORITY  
152.145  
NORTH PENN WATER AUTHORITY  
153.455  
NORTH VERSAILLES WATER AUTH  
37.48  
NORTH WALES WATER AUTHORITY  
158.205  
PENN AND SOUTHERN GAS COMPANY  
153.62  
PENN ELECTRIC  
451.175  
PENN ELECTRIC  
48.40  
PENN ELECTRIC  
37.46  
PENN ELECTRIC  
48.38  
PENN ELECTRIC  
48.46  
PENN ELECTRIC  
48.48  
PENN ELECTRIC  
153.47  
PENN ELECTRIC  
153.53  
PENN GAS MANAGMENT AUTHORITY  
158.145  
PENNSYLVANIA GAS + WATER  
47.84  
PENNSYLVANIA GAS + WATER  
47.80  
PENNSYLVANIA GAS + WATER  
47.98  
PENNSYLVANIA GAS + WATER  
47.78  
PENNSYLVANIA GAS + WATER  
47.76  
PENNSYLVANIA POWER + LIGHT  
451.20  
PENNSYLVANIA POWER + LIGHT  
451.025  
PENNSYLVANIA POWER + LIGHT  
158.235

PENNSYLVANIA POWER + LIGHT  
37.38  
PENNSYLVANIA POWER + LIGHT  
37.82  
PENNSYLVANIA POWER + LIGHT  
37.74  
PENNSYLVANIA POWER + LIGHT  
37.68  
PENNSYLVANIA POWER + LIGHT  
37.70  
PENNSYLVANIA POWER + LIGHT  
153.515  
PENNSYLVANIA POWER + LIGHT  
451.125  
PENNSYLVANIA POWER + LIGHT  
158.175  
PENNSYLVANIA POWER + LIGHT  
451.075  
PENNSYLVANIA POWER COMPANY  
451.275  
PENNSYLVANIA POWER COMPANY  
47.78  
PEOPLES GAS COMPANY  
153.725  
PEOPLES GAS COMPANY  
158.19  
PEOPLES GAS COMPANY  
37.62  
PEOPLES NATURAL GAS  
158.25  
PEOPLES NATURAL GAS  
153.235  
PHILADELPHIA (CITY OF)  
153.56  
PHILADELPHIA (CITY OF)  
153.51  
PHILADELPHIA ELECTRIC  
451.025  
PHILADELPHIA ELECTRIC  
45.125  
PHILADELPHIA ELECTRIC  
37.80  
PHILADELPHIA ELECTRIC  
48.26  
PHILADELPHIA ELECTRIC  
37.78  
PHILADELPHIA ELECTRIC  
48.00  
PHILADELPHIA ELECTRIC  
37.88  
PHILADELPHIA ELECTRIC  
47.80  
PHILADELPHIA ELECTRIC  
37.86  
PHILADELPHIA ELECTRIC  
37.86  
PHILADELPHIA ELECTRIC  
153.56  
PHILADELPHIA ELECTRIC  
158.235  
PHILADELPHIA ELECTRIC  
451.075  
POTTSTOWN (BOROUGH OF)  
153.59  
RIVERTON CONSOLIDATED WATER  
47.74



# TELEVISION NEWS

Bill Fabber, editor  
336 Atlantic Street  
Bridgeton, N.J. 08302

APPLICATIONS FOR NEW TELEVISION STATIONS

CH	ERP	HAAT	STATE/CITY/APPLICANT
54	1200	1306	TX Austin; ATV Associates Inc.
54	5000	807	TX Austin; Balcones Broadc'g Ltd
54	104	716	TX Austin; Isabel Chavez
54	5000	779	TX Austin; Jo Cardenas Stoltz
57	5000	289	TX Baytown; Pleasant Springs Bc'g
57	5000	479	TX Baytown; Neil I. Sanders
57	5000	981	TX Baytown; Villa-Reeve Ltd.
51	5000	336	TX Katy; Louise Brunson
51	1671	282	TX Katy; Horizon Community Broadcasters Ltd.
51	3056	1531	TX Katy; Inter-American Bc'g Ltd
51	5000	975	TX Katy; Johnson Broadcasting
51	5000	1054	TX Katy; Victory Media Inc.
61	700	438	AL Mobile; South Alabama Telecbrs
38	2510	3000	CA Santa Barbara; Mission Bc'g
52	5000	920	GA Albany; Harold Yancey
14	5000	204	KS Pittsburg; John H. Leland
65	1009	2248	MD Cumberland; Rita L. Young
33	1400	109	TN McMinnville; Underwood Enterprises Inc.
6	100	749	AZ Kingman; Canyon Communicat'ns
6	10	3696	AZ Kingman; Grnad Canyon Television Company
6	100	1436	AZ Kingman; John R. Powley
38	2690	2878	CA Santa Barbara; Coast TV (proposes aural 28% of visual)
38	2630	2915	CA Santa Barbara; Mission Broadcast (Not the same as the one listed above; this will cause some confusion)
38	5000	1252	CA Santa Barbara; Santa Barbara 38 Broadcasting Group
67	5000	358	KY Morehead; John H. Leland
45	3259	1081	MN Minneapolis; Vision Broadc'g
54	5000	1252	TX Austin; Channel 54 Ltd.
54	2630	1084	TX Austin; Lake County Telec'ers
54	5000	1715	TX Austin; Television 54 Corp.
16	5000	2778	UT Provo; Skagit Valley Publishing Company
21	5000	1004	TX Beaumont; Sight & Sound Inc.
45	5000	1121	AZ Phoenix; Lucia R. Madrid
45	5000	1715	AZ Phoenix; American Continental
45	5000	1720	AZ Phoenix; Phoenix Television Associates
45	5000	1704	AZ Phoenix; TV 45 Associates
45	5000	1720	AZ Phoenix; Phoenix Telev'n Ltd
45	2160	1611	AZ Phoenix; Hohokam Communications Associates
45	5000	1715	AZ Phoenix; Bernard Clark
45	5000	1788	AZ Phoenix; Aztec Broadc'g Corp.
27	14.8	567	IL Quincy; West Central Illinois Educational Telecommunications Corporation
48	1000	417	NE Omaha; Trinity Translators
45	5000	1788	NE Phoenix; Doylean Forney
45	1321	1715	AZ Phoenix; Ch. 45 Partnership
45	5000	253	AZ Phoenix; Sue E. Walters
45	5000	1702	AZ Phoenix; LIPT Inc.
25	1000	502	AR Pine Bluff; Charles Ray Shinn
61	3444	932	FL Gainesville; American Communications & Television Inc.
20	736	-114	HI Hilo; Josie Moore

33	100	1324	MI Cadillac; GRK Productions Inc.
42	1780	1260	MN Alexandria; Hubbard Broadc'g
43	1820	1190	MN Redwood Falls; Hubbard Broadc'g
65	2000	779	PA Altoona; John R. Powley (Cumberland MD assignment)
12	316	530	SD Huron; John R. Powley
13	316	1030	TX Brady; Kimbell Television Co.
49	689	495	TX Conroe; Conroe Communications
40	1000	3317	TX Crockett; Hopkins Broadcasting
52	5000	1133	TX Fort Worth; Halton City Bc'g
21	5000	1004	TX Nederland; ?
60	5000	1244	VA Roanoke; Roanoke TV 60 Broadc'g
45	5000	977	WA Seattle; Seattle Channel 45 Broadcasting, Inc.
45	5000	1289	WA Seattle; Allen E. Hom
45	1000	346	WA Seattle; Duane Tomko
45	5000	1483	WA Seattle; TV 45 Associates
50	2500	1053	NC Raleigh; Charles Ray Shinn
25	5000	1783	AR Pine Bluff; Montgomery Broad'g
11	100	2240	TX Sonora; Goodson Broadcasting (0.01 kw aural)
16	5000	3168	TX Lubbock; Lubbock Communicat'ns
35	1000	291	ME Lewiston; Lewiston Broadcast'g
62	5000	1140	OK Oklahoma City; Kilgore Broadc'g
53	5000	6663	OK Tulsa; Kilgore Broadcasting
65	1000	4300	TX El Paso; Swan Broadcasting
32	17.2	4077	NM Albuquerque; Alpha Omega Bc'g
55	5000	309	AL Gulf Shores; Garcia Communions
46	3386	1452	CA Paradise; Gomez Broadcasting
46	930	621	CA Paradise; Garcia Communications
69	4932	844	VA Fredericksburg; Rappahannock Cablecast Company, Inc.

CONSTRUCTION PERMITS GRANTED BY THE FCC

20	3148	2548	CO Denver; Alden Communications
44	4989	1670	LA Baton Rouge; Spondo Ltd. Inc.
66	1435	1340	MI Flint; Flint Family Television
69	575	1098	IA Des Moines; Iowa Television Authority
64	1433	1628	PA Scranton; Scranton Family Tel.

APPLICATIONS TO EXTEND CONSTRUCTION PERMITS

CH	STATE/CITY/APPLICANT
19	KY Madisonville; WLCN
44	FL Pensacola; WJTC
40	FL Tallahassee WTWC-TV (on the air)
39	WI Marshfield; WMTL
49	NY Buffalo; WNYB-TV
27	VA Roanoke; Roanoke Christian Broadcasting
8	MI Iron Mountain; WIIM-TV

CONSTRUCTION PERMITS EXTENDED

18	AZ Tucson; KPTU
27	NV Reno; KREN-TV
36	OH Toledo; WDMA-TV
27	WY Cheyenne; KLWY

APPLICATIONS DISMISSED (OR RETURNED)

TN	Cookeville; ch. 28; Gerald R. Roberts
CO	Denver; ch. 20; Colorado Television Inc.; Oak Television of Denver, Inc. (FCC Review Board decision)
AR	Pine Bluff; ch. 25; Montgomery Broadcasting (returned as unsuitable for filing; Antenna height above sea level was 380' less than above average terrain and less than above ground)
KS	Salina; ch. 44; Odessa Communications (returned as unsuitable for filing. See comments in last month's column.)

OK	Enid; ch. 20; Enid Broadcasting (Can't find record of this, but the name sounds like Thurman's style)
TX	El Paso; ch. 65; Swan Broadcasting (returned)
UT	Provo; ch. 16; Provo Broadcasting (ret'd)
MS	Vicksburg; TV35 Inc. (application for ch. 66); Matthew D. Wiggins Jr. (application for channel 35)
NJ	Burlington; ch. 48; AGK Communications Inc
OH	Portsmouth; ch. 30; Radio Station WPAF
PA	Erie; ch. 66; Seneca Broadcasting Corp.
IA	Des Moines; ch. 69; Federal Television Company; Des Moines TV Ltd.
AL	Mobile; ch. 31; Way of the Cross of Mobile (returned)

APPLICATIONS TO MODIFY CONSTRUCTION PERMITS

60	5000	1139	AL Gadsden; WTJP
14	n.c.	1372	CO Boulder; KTVJ
26	4325	1641	NC Wilmington; WJKA
19	3560	1148	OH Shaker Heights; WOIO
61	2731	995	CT Hartford; WETG
16	n.c.	994	IL Quincy; WTJR
35	5000	1987	IL La Salle; WWTQ-TV
62	3310	1930	NY Kingston; WTZA; change from ch. 63, as per changes in table of assignments.
44	9.2	438	TX Harlingen; KLUJ
33	5000	924	FL Miami; WFBS-TV
49	2690	1330	NY Buffalo; WNYB-TV
29	2240	1600	MS Gulfport; Four-0 Inc.

CONSTRUCTION PERMIT MODIFICATIONS GRANTED

69	4820	1952	CA San Diego; KTTY
38	2668	1534	AR Pine Bluff; KMJD-TV
18	2490	1966	AZ Tucson; KDTU
56	1249	1253	KY Danville; WDKY
26	4325	1641	NC Wilmington; WJKA
14	n.c.	957	NC Greenville; WXIV-TV
44	9.2	438	TX Harlingen; KLUJ

APPLICATIONS TO CHANGE EXISTING FACILITIES

20	736	1226	CA San Francisco; KTZO; chg. TL
67	n.c.	719	NY Smithtown; WSML
49	2985	?	TX Irving; KLFJ; change TL
11	292	1713	OK Tulsa; KOED
22	1281	1487	PA Scranton; WDAU-TV; chg. TL
4	n.c.	?	MS Columbus; WCBI-TV; chg. TL
8	n.c.	2942	CA Salinas; KSBW-TV
15	2748	968	VA Hampton; WYRO-TV

CHANGES IN EXISTING FACILITIES GRANTED

AK	Anchorage; KIMO, ch. 13; granted CP to increase ERP from 30 kw to 39 kw max.; 87' AAT/294' AG/400' ASL.
CA	Ontario; KHBS-TV, ch. 46; Licensed for 2170 kw max/1797 kw hor (was 2455 kw max); 3040' AAT/312' AG/5991' ASL; coordinates 34°13'37"/118°03'58"; TL Mount Wilson.
CA	Salinas; KSBW-TV, ch. 8; Change HAAT to 2942'; directional antenna
TN	Nashville; WTVF, ch. 5; granted MP to change HAAT from 1367' to 1390'
CA	Sacramento; ch. 31; KRKB-TV; granted MP to change TL to 0.8 mile south of Twin Cities Road, adjacent to Snodgrass Slough, 2.2 miles west of Hwy 5, Walnut Grove, CA. (same tower as MP for KORA-TV, ch. 3, listed earlier this year, but 110' lower.) Coordinates 38°15'52"/121°29'22"; 1830' AAT/ 1841' AG & ASL. The new tower will

be 1.54 miles southeast of present tower.
CA Eureka; KEET, ch. 13; CP to reduce power from 61.7 kw to 28.0 kw.
IL Harrisburg; WSIL-TV, ch. 3; CP to change from 100 kw to 100 kw max.; 994' AAT/1000' AG/1600 ASL (151' higher); same TL.
KS Garden City; KUPK-TV, ch. 13; increased ERP from 87.1 kw to 225 kw max. on 6/29/84.
ME Portland; KUPK-TV, ch. 13; changed ERP from 100 kw to 100 kw max.; 2000' AAT/1274' AG/2503' ASL (30' lower ASL); TL still on Winn Mountain. Effective 6/29/84.
AL Mobile; WKRG-TV, ch. 5; CP granted to change ERP from 100 kw to 100 kw max.; 1706' AAT/1648' AG/1818' ASL (620' higher) Coordinates 30°41'19.6"/87°49'49.4" (0.49 mile NNW of present TL); 0.8 mile north of Hwy 31, 1.5 mile NE of intersection with Hwy 181. Higher AAT should improve coverage area.
FL Jacksonville; WJXT, ch. 4; granted CP to change ERP from 100 kw to 100 kw max.; 980' AAT/956' AG/1006' ASL (50' higher AAT but only 9' higher ASL); coordinates 30°16'27"/81°33'13"; TL S/O Anders Blvd between Eve Drive and Peach Road, Jacksonville (6.3 miles ESE of present site); Proposed TL is same as for WTLV below.
FL Jacksonville; WTLV, ch. 12; granted CP to change ERP from 316 kw to 316 kw max.; 970' AAT/941' AG/991' ASL (30 higher than present AAT, but 9' lower than present ASL) Coordinates and TL are the same as for WJXT above; 6.30 miles ESE from present TL. No change in coverage area for these two stations is to be expected.
FL West Palm Beach; WFLX, ch. 29; granted CP to increase ERP from 2544 kw max/692 kw hor to 5000 kw max. Same TL and height.
MA Springfield; WWLP, ch. 22; authorized to reduce transmitter power by 20%.

CALL LETTER APPLICATIONS: NEW STATIONS

CH	C.L.	STATE/CITY/APPLICANT
68	WLCH	OH Mansfield; Eagle Broadcasting
69	KBTB	IA Des Moines; Iowa Television Authority
43	KKEC	KS Topeka; Arapahoe Silent Majo'ty
56	KTRG	TX Jacksonville; TRG Broadcasting Systems, Inc.

CALL LETTER APPLICATIONS: STATIONS ON THE AIR

51	WSCV	FL Fort Lauderdale; WKID
----	------	--------------------------

CALL LETTERS ASSIGNED: NEW STATIONS

17	WDBB	AL Tuscaloosa; WDBB-TV
26	KOEC	CO Pueblo; KEAE
61	WTIC-TV	CT Hartford; WETG
33	WTKV	GA Valdosta; WKUD
56	WWLP-TV	PA Hazleton; WERP
38	WOLF-TV	PA Scranton; WSWB
44	WNAL-TV	AL Gadsden; Anthony Jav Fant
47	WGEI	AL Tuscumbia; Kadd Communications
14	WZGA	GA Rome; Rome Television
26	KJMH	IA Burlington; Burlington Bc'g Co
20	KICI-TV	IA Iowa City; Television Development Association of Iowa
68	WJAL	MD Hagerstown; Good Companion Bc'g
3	KIEB	NM Gallup; McKinley Television
8	WTHX	PA Johnstown; Laurel Television
18	KJTL	TX Wichita Falls; Thornberry TV
27	WVFT	VA Roanoke; Roanoke Christian Bc'g

24 KUCB UT Ogden; Arapahoe Silent Majority  
66 WJFB TN Lebanon; Joe F. Bryant  
54 WTTT AL Huntsville; Community Service  
Broadcasting  
60 WFPF-TV AL Dothan; Television Community  
Broadcasting  
36 WUNP-TV NC Roanoke Rapids; University of  
North Carolina

## CALL LETTER CHANGES GRANTED

6 WLNS-TV MI Lansing; WJIM-TV  
10 KFWY-TV WY Lander-Riverton; KTNW

## CHANGES IN TABLE OF ASSIGNMENTS

KY Murray: add 38z  
TX Blanco: add 52+  
TN Memphis: add 50+ (offset added to accom-  
odate proposed ch. 50 assignment in Hender-  
sonville, TN)  
TX Uvalde: add 26-

## STATIONS ON THE AIR

PR San Juan; WSJU, ch. 18, went on the air  
7/29/1984. 750 kw max; 2783' AAT/168' AG/  
3464' ASL; coordinates 18°18'36"/65°47'41"  
TL on El Yunque Peak, 9 miles west of  
Fajardo; address: Three Star Telecast, Inc.  
Call Box 18, Carolina, PR, 00628.

NV Las Vegas; KRLR, ch. 21, went on the air  
7/16/1984. 400 kw max; 1158' AAT/145' AG/  
3420' ASL; coordinates 36°00'26"/115°00'  
24"; TL 1.5 miles SSW of Henderson, NV.  
Address: DRES Media Inc., 920 S. Commerce  
Street, Las Vegas, NV, 89106.

SC Myrtle Beach; WGSE, ch. 43, went on the  
air July 5, 1984. 156.4 kw ERP: 607' AG/  
649' ASL (HAAT not available); coordinates  
33°43'32"/79°05'04"; TL southeast of  
intersection of SR-79 & US 701, near  
Bucksville; Address: Carolina Christian  
Broadcasting, Inc., Route 5, Box 271-A,  
Conway, SC, 29526.

NC Burlington; WRDG, ch. 16, went on the air  
July 7, 1984. 2525 kw max ERP; 837' AAT/  
529' AG/1429' ASL; coordinates 35°56'22"/  
79°25'47"; TL Cane Creek Mountain, west of  
Hwy 2327.

MI Manistee; WCMW-TV, ch. 21 (seen by Bill  
Draeb); 224.4 kw max ERP; 340' AAT/298' AG/  
1018' ASL; address: Central Michigan Uni-  
versity, Mount Pleasant, MI, 48859.

MI Cadillac; WCMV-TV, ch. 27 (seen by Bill  
Draeb); 274.2 kw max ERP; 587' AAT/303'  
AG/2005' ASL; address same as above; both  
stations are satellites of WCMU-TV, ch. 14  
in Mount Pleasant, MI.

## PROJECTED AIR DATES

CT; Hartford; WHTG-TV, ch. 61, around 1/85  
NY Riverhead; WLIG-TV, ch. 55, around 1/85  
OH Dayton; WRGT-TV, ch. 45, around 1/85  
TX Waco; KWWT, ch. 25, around 1/85

## CONSOLIDATED HEARINGS

CA Ventura; ch. 16; CP had been granted to  
California Broadcasting Corp (CBC) in the  
FCC's initial decision, and application by  
Channel Islands Television Corp (CITC) was  
dismissed, since CITC had been found to be  
financially unqualified and unqualified  
due to false testimony and misrepresenta-  
tion. But the FCC review board decided to  
check out accusations by CITC involving

CBC's financial situation and candor issues.  
GA Albany; ch. 19; Contemporary Communications  
of Georgia, Inc.; Albany Television Compa-  
ny Ltd.; The latter proposed a TL 7 miles  
short-spaced to WKUD (ch. 33 in Valdosta,  
GA) and 2 miles short-spaced to WABW-TV  
(ch. 14, Pelham). Those two stations  
raised objections to the application.

LA New Orleans; ch. 49; Powell Community Tele-  
vision; Horizon Broadcasting Inc.; Loyd A.  
Allen; Fleur de Lis TV Broadcasting Inc.;  
Mary Ann S. Bohi; Albert, Inc.; RBJ Broad-  
casting Co. and Evelyn Leal DBA Channel 49  
Joint Venture; Hispanic Communications  
Corp.; Crescent City Communications Co.;  
Nola TV; Mandeville Communications Company  
of New Orleans.

CA Barstow; ch. 44; Sunbelt Television Inc.;  
William R. Stinchcomb & Greg S. Carpenter,  
General Partnership.

KY Paducah; ch. 49; Johnny G. Box; TV-49;  
Amos Communications Inc.

TN Nashville; ch. 58; Ruth Page Carmen; Dove  
Broadcasting Company; Nashville TV "58"  
Inc.

VA Charlottesville; ch. 64; Locus Potentiae  
Television Center; Charlottesville 64 Ltd.  
WHSV-TV, ch. 3, objects that the use of  
channel 64 will preclude the use of W64AO  
in Charlottesville, VA.

WA Bellevue; ch. 33; Minority Television of  
Bellevue Inc.; Gill Communications Inc &  
Robert Gill Communications Limited Part-  
nership; Central Broadcasting Corp; Puget  
TV 33. Canadian authorities object to  
Minority, Gill and Central applications,  
which would interfere with a channel 33  
allotment in Powell River, BC.

## FORUM

First, the question everybody has been  
asking: what about the translator-LPTV list?  
The list, 79 pages in all, is all typed. I  
still have to check typing errors, add a  
contents page and an explanation of symbols  
used. I hoped to complete it before starting  
this column, but didn't quite make it. So it  
will be about two weeks after I finish, or  
toward the end of September. I wrote to the  
NTIS to find out why the most recent data  
base list did not include primary station and  
input channel, and got this response from the  
FCC: "A policy established by the Mass Media  
Bureau, of the (FCC), governing low power TV  
and TV translator operations, effective June  
17, 1982, resulted in a change in the data  
elements required in the TR Translator appli-  
cation data base. Therefore the TV data  
elements for the following primary stations  
translators (sic) are no longer available  
from the FCC on microfiche: 1. the pointer to  
a primary stations (sic) for a translator; 2.  
the call-sign of the primary station; and 3.  
the translator's input channel for program  
material. However, you can come to the FCC's  
Public Reference Room...to research and copy  
this information from the original TV appli-  
cations files." Sure, for all 4800 transla-  
tors! Fortunately my 1982 microfiche list was  
purchased just in time to include primary  
stations and input channels.

I wrote to the FCC Field Operations Bureau  
in St. Paul, MN, about the Iron Mountain  
translators and got this reply: "The F.C.C.  
has received 22 applications for new low  
power TV (LP TV) stations at Iron Mountain.  
Our data base shows translator W08BG licensed  
to WLUC in Green Bay. Also listed are six  
translators/LP TV stations licensed to U.P.  
TV Systems, 219 East A Street, Iron Mountain,  
MI, 49801. The call signs are K47AF, W56BF,  
W67AO, K69BA, W72AA, and W77AA." W67AO is one  
that I didn't have anything definite, but  
even the FCC couldn't help with the others.

Richard K. Clark from the Dominican Repub-  
lic sent some news. He confirms WSJU, ch.  
18 in San Juan on the air. It's an NBC affi-  
liate, and the first full time English lan-  
guage television station in Puerto Rico.  
Also on the air as of 8/21/84 is HITV, ch. 9  
in El Mogote, Dominican Republic, owned by  
Telesistema Dominicano. Inactive stations  
in the area are HIN stations ch. 7 in Cayagua  
ch. 7 in Santiago, and ch. 11 in El Mogote  
(Dominican Republic), and WSUR (ch. 9 in  
Ponce, PR) and WKBM (ch. 11 in San Juan).

News items relating to video music. MTV  
will no longer be a monopoly on music videos.  
Independent stations have been playing some  
videos, some video programs are syndicated,  
and now some television stations are actually  
going to an all-video-music format. Ted  
Turner is now going to launch Music Video  
Network. Another company is starting Discov-  
ery Music Network on New Year's Eve, with  
plans to offer some live concerts and new  
talent. Meanshile MTV, which appeals to the  
12-34 age group, is planning a second service  
that will appeal to the 25-49 age group. I  
was looking at the TV Guide (now 60!), and  
saw an article on the 1975 TV sets by David  
Lachenbruch. He goes heavily into MTS  
(Multichannel Television Sound), which has  
better quality sound, stereo, and separate  
audio programs. "The upgrading of TV sound  
also has been influenced by the introduction  
of hi-fi stereo videocassette recorders and  
the soaring popularity of music videos." And  
here's where I put my foot in my mouth. I  
discussed the "soaring popularity of music  
videos" with Bill Thompson at the convention  
and expressed the opinion that its popularity  
will fade, perhaps in a year or two. Bill  
thinks I'm wrong. But I can't help thinking  
that this sudden rage for music videos will  
burn itself out eventually. Sure, music  
videos will be here to stay, but not with the  
heavy popularity it has now.

Speaking of stereo sound, WTTW in Chicago  
became the first station to regularly  
broadcast stereo. It began stereo on 8/7.

Steven Sprachman sent in an article related  
to the video rage. "...by the end of the year  
more than 30 over-the-air stations from  
Honolulu to Long Island plan to follow suit,  
by devoting their entire broadcast day to  
music videos." "As many as six of the new  
all-music stations, including full-power UHF  
and low-power stations, are already on the  
air. And they are not just MTV lookalikes,  
according to Gary Smithwick, president of UHF

station WLLI-TV in Greensboro, N.C., a music  
video pioneer." "We want to have personali-  
ties local people can relate to. Local news.  
Local weather. That's the key. Just like in  
radio." "Our 'vee-jays' are live and that  
enables us to talk specifically about Las  
Vegas," said Rick Scott, general manager of  
the 24-hour UHF station KRLR-TV in Las Vegas.  
"This is not something that's going to go  
away," said Joe Zingale, co-partner with the  
entertainer Bill Cosby in the company that  
owns TV69. This is a low-power station set to  
go on the air in Gainesville, Fla., by  
mid-September, with 24 hours of music program-  
ming. "This is something that, in a very  
short period of time, hundreds of TV stations  
are going to do," Mr. Zingale said, adding  
that overhead is minimal because record com-  
panies supply most video clips free and a new  
station can show a profit much more quickly  
than with standard programming. UHF music  
video station KMSG-TV in Sanger, Calif., near  
Fresno, spent only \$1.5 million to start up.  
Mr. Smithwick's Greensboro station went on the  
air March 5 and is already in the black.

"Many broadcasters predict there will be an  
all-music TV station in each of the nation's  
top 100 markets within several years. Even-  
tually, Mr. Smithwick said, the largest  
cities will have three music station-rock,  
country, and black music." "MTV will have to  
compete with us," said John Garabedian, oper-  
ator of WZZT-TV in Marlborough, Mass., a UHF  
station set to cover the Boston area with 24  
hours of videos starting in October. "Mort  
Nasitir, former publisher of Billboard maga-  
zine, and head of the newly formed Association  
of Music Video Broadcasters, has said, 'Music  
video broadcasting will dominate the enter-  
tainment picture for the next ten years,'  
taking over many of the 200 UHF allocations  
still available." "Neal Sabin, program di-  
rector of WPMR in Aurora, Ill., which programs  
two hours of video clips a day and beats out  
all competition in the time slot, warns fur-  
ther that massive doses of videos could back-  
fire. 'I think they're going to overplay it,'  
he said. 'I think they're going to burn the  
format out.'" Steve adds, "I agree with the  
last paragraph of the article. I hope new  
station-owners do not think of this as a  
cure-all-sure fire method financial success."  
It would be bad if all these stations went on  
the air with hopes of financial success thru  
video music, and then have the entire thing  
go the way of STV. Let's hear some more  
opinions on this.

Ed Shepherd reports a new station: channel  
16 in Burlington, NC (that would be WRDQ).  
It's on 24 hours a day with religious program-  
ming. He also wants to buy copies of the  
old UHF translator list. If you want to sell  
him yours, write to 319 10th St. Dr. NW,  
Hickory, NC 28601.

David Darwin Marshall gives further infor-  
mation on KYUS-TV, ch. 3, the Mom-&-Pop  
station in Miles City, Montana (see 8/84 VUD,  
page 20), along with an article from the  
6/17/84 Montana Parade. "There'll be no more  
wind-up drumming monkeys on the sign-on

instead of a color bar, no more Booker the cat snoozing on the anchor desk during the newscast, no more U.S. senators or belly dancers delivering the weather on Miles City's KYUS-TV. David and Ella Rivenes, Montana's most famous broadcasters, have sold the nation's smallest television station after 15 years as America's Mom-and-Pop broadcasters." The station is being bought by KOUS-TV in Hardin and will be a satellite of that station. KOUS-TV was also once owned by the Riveneses. The article goes on to describe some past incidents at the station. "One evening Booker the cat caught a still-living mouse and hauled it atop the news desk while the Riveneses' granddaughter Rogana went on through the news." "Another time a rattlesnake handler was demonstrating how to milk the venom from a snake, Rivenes recalled: 'Finally the snake got loose. Here's a six-foot-long Texas rattler. All of a sudden there isn't anybody in the studio except the guy that owns the rattlesnakes 'cause I'm long gone and so's the cameraman.'"

John Ebeling filled me in on my question about CJRT. When Richard mentioned last month that CJRT was on channel 2 I was confused. I remembered talk about the station but couldn't recall where or when. The station is supposed to be on channel 3, but John saw a station on channel 2, with a snowy ID that looked like "cjbtr" in small letters. A comment in the 5/84 CCI column suggested the possibility that CJRT would be moving to channel 2. Richard Reese wrote to me confirming that the change had taken place. CJRT is in Rimouski, Quebec.

John Combs sent me an article from, of all magazines, the September issue of Organic Gardening, and told me to keep a straight face while reading it. Sorry, but I couldn't help but laugh the rest of the day. "From our more-strange-uses-for-trees department comes word in Britain's New Scientist magazine that the old sycamore out front may someday be used to pull in reruns of 'Leave It to Beaver.' (I'm wondering if that was intended to be a pun, or if the author is just plain nuts. -wbf) A scientist at the Indian Space Research Organization has been investigating the use of tall trees as TV antennas. Dr. S.P. Kosta uses a coaxial cable to link a television with a hole drilled beneath the bark. He says the signal is transmitted via the xylem and phloem, which carry the plant's food and water. In his recent experiments, date palm, coconut and papaya trees produced a better quality picture than a conventional metal antenna." Who knows, maybe chrysanthe-mums would make good preamplifiers. John Combs also sent a clipping from the Science Digest in the letters to the editor. A guy from Arkansas describes getting in channel 10 from North Dakota instead of his local 10 a "malfunction that occurs during severe weather."

Just in from the USA Today: "USA Network... will launch a new daily music video program targeted at an adult audience, 18 to 49 years old. USA's Heartlight City is designed to compete with Turner Broadcasting's new Cable

Music Channel and MTV's MTV2. Also designed for older music audiences. Heartlight City premieres October 8 at 3 p.m. EDT/noon PDT. It includes music videos, feature film snippets, trivia questions and person-on-the-street interviews about current live songs.

Also this recent announcement from Sony Corporation. Sony is introducing its new adjustable UHF antennas under the BONZAI label. They can be cut to any channel you wish, and some trim may be necessary to reduce any overload. However, additional cutting may be required, especially during warm weather, as they tend to grow that time of year.

Bill Draeb saw WCMW (ch. 21, Manistee, MI) and WCMV (ch. 27, Cadillac, MI) on the air on 9/7/84. They are both satellites of WCMU, the educational station on ch. 14 in Mount Pleasant, MI. Update on WSCO, channel 14 in Suring, WI: more fund raisers. The staff was cut from 7 to 2. About three weeks ago (which would be mid-August) they almost pulled the plug for good because they couldn't meet the payroll, and they have a \$10,000 interest payment to make. It was mentioned during the fund raiser that their transmitter was donated to them from Evansville, Indiana. Bill thinks this might be WPLE's old transmitter.

Larry Fuss mentioned that the ch. 58 assignment to Fort Walton Beach is also short-spaced to WPAN, channel 53, also in Fort Walton Beach. I'm surprised the Federal Register didn't mention that. On the Las Vegas situation, he says that KVBC, ch. 3, would not have to compete with other applicants for channel 2 if ch. 2 replaced ch. 3. Their license would simply have to be modified to specify operation on channel 2. I'm sure the FCC could do that very easily, but why didn't they do it in Tulsa. KOED-TV, ch. 11, and KJRH, ch. 2, wanted to switch channels because people had to choose between channel 2 and 3 in some areas. If 2 and 3 were both educational stations nobody would miss out. But by changing the educational reservation from 11 to 2, the FCC admitted it was virtually creating two new assignments. Tulsa 23. In its greed, ruined things for everybody when it insisted on its right to compete for the proposed commercial channel 11 assignment.

From W.R. McIntosh, a clipping from the Los Angeles Times. KOCE-TV, ch. 50 in Huntington Beach, owner Coast Community College District is phasing out its ownership and fiscal support to the KOCE-TV Foundation, but the station is having trouble raising enough money to keep operating.

Nate Ely sent a form letter from KNLC, ch. 24 in St. Louis, MO, asking for money. The station went off the air due to technical problems for three days in June, and cost \$50,000 in parts and lost revenue. They are also trying to raise funds so that they can double their power. Although the letter didn't give any technical information, an included news clipping did, but this was confusing to me. It says that the station wants to double its power from 55 kw to 110 kw. I have it as 1466.7 kw ERP. The other confusing thing about the article I will only quote without any comment. "In addition, the

station's tower near Hillsboro and House Springs will be used by new Channel 25 in Jefferson City, which broke ground Wednesday."

Several months ago Mike Dorner sent me a list of outstanding construction permits that were granted more than 2 years ago. I hadn't any room in the past few months to print it. Since I try to keep those columns short. But here's the list:

KTIE, ch. 63, Oxnard, CA (4 years old)  
KBJH, ch. 47, Tulsa, OK  
~~WTTH, ch. 28, Columbus, OH (just went on)~~  
WKAF, ch. 62, Syracuse, NY  
WFWY, ch. 43, Syracuse, NY  
WULT, ch. 20, New Orleans (4 years old)  
WKME, ch. 38, Seaford, DE (most still be active, since recent applications for this were returned. is the oldest yet!)  
WTWU, ch. 59, New Haven (CP granted in 1953)  
WHLT, ch. 22, Hattiesburg, MS  
WTMB, ch. 43, Tomah, WI  
WTKW, ch. 16, Key West, FL  
WRJK, ch. 40, Bluefield, WV  
WFCT, ch. 62, Fayetteville, NC  
KOAV, ch. 20, Sherman, OK (Can't find any record of this. Can somebody give me some info?)

WSJN, ch. 24, San Juan, PR  
WAQP, ch. 49, Saginaw, MI (was ch. 45)  
KEGO, ch. 20, Enid, OK  
KSCB, ch. 58, Stockton, CA  
WUAA, ch. 16, Jackson, TN  
KCCA, ch. 58, Sierra Vista, AZ (sold)  
WDAI, ch. 56, Gary, IN  
WUSV, ch. 45, Albany, NY  
WCAJ, ch. 68, Birmingham, AL  
WSMP, ch. 21, Florence, SC  
WGGF, ch. 59, Lebanon, PA  
WJKA, ch. 26, Wilmington, NC (was ch. 29)  
KLPB, ch. 42, Paris (TX)-Hugo (OK)  
WVJA, ch. 28, Panama City, FL  
WVQI, ch. 25, LaCrosse, WI (Didn't that go on recently?)  
KEOQ, ch. 45, Sikeston, MO  
WFGC, ch. 61, Palm Beach, FL (was ch. 53)

Since Mike sent me that list three months ago six of the stations on his list went on the air. Some of the ones listed above have been active lately and plan to go on the air soon.

One article from Rod O'Conner, again which I didn't have room or time last month, had to do with the proposed antenna tower for KAKM-TV, channel 7 in Anchorage, Alaska. This is from Air Alaska. The Airmen's Association is trying to find a good site northwest of Goose Bay for a proposed tower and antenna farm. They are looking for a site that would not propose a hazard to air traffic. Local residents were also concerned about radio interference on telephones and other radio services. The site will have advantages to the Airmen: instead of several stations having transmitter towers scattered over the area, they will eventually all be in one central location, which will be well lighted. Several TV and FM broadcasters already expressed an interest in relocating their transmitters to the proposed KAKM-TV tower.

Dave Jones sent two articles from the Dayton Daily News about WRGT-TV, channel 45 in Dayton, which is planning to go on the air on September 23. It is owned by Dayton Telecasting, Inc., which bought out Sinder Broadcasting of Ohio, who originally was granted the construction permit. (Yes, the article actually calls it a construction permit instead of a license!) The call letters WRGT are a tribute to the Wright Brothers, who lived in Dayton. The station will operate from 7 a.m. in the morning to 1 a.m. at night with independent programming. It will transmit from a 1100 foot tower with 5000 kw ERP, serving portions of Ohio, Indiana and Kentucky. WRGT-TV will be a movie station, going heavy on movies, with syndicated programs. The station will have no local news, weather or sports programming at first, but plans later on to have news updates several times a day. Dayton is the last major television market without a commercial independent television station, and WRGT will be its first indie. However, many citizens in the Dayton area can receive WXIX, channel 19 in Cincinnati, which is also independent.

It's a strange feeling, living in a part of the country crowded with commercial UHF stations and plenty of independent stations, to see newspaper clipping having to explain to the readers what a UHF station is, how they will have to get a new antenna and use that other dial, or explain what an independent station is, and how it shows programs that used to be on the air many years ago, and more than one movie per day. I guess many people in the country aren't used to anything but network stations and can't conceive of anything else. This other article from Dave is like that. Actually, it is three articles grouped together comparing WRGT-TV with its sister station, WVAH-TV, ch. 23, West Virginia's only independent station, which went on the air around September, 1982. One article explains two types of syndication: "first-run" and "off-network". The other two articles give heavy description of WVAH-TV, and gives comparisons between it and WRGT-TV in order to give Dayton viewers a better idea of what to expect.

Just in from Nate Ely. WFSB, ch. 66 in Chicago, is abandoning all-day rock videos, and will apparently become more traditional in independent programming. (syndicated sitcoms, dramas, etc., movies, and Elvira. You all remember Elvira. She's the host for those horror flicks. I have yet to see her, and have no idea how many stations she appears on. Nate says, "Elvira ain't Nuthin' like Zacherly!" A trivia question maybe somebody can answer for me: Were Zacherly and Roland the same person? I seem to think they were, only at different stations.

David Moody sent some material from the 8/84 Broadcast Engineering magazine about Senior Road Tower. This was the tower outside of Houston that collapsed on December 7, 1982, killing five workers. The tower fell on the transmitter of KTXH, channel 20 in Houston, which had been on the air for exactly one

month. Three months later NTX sent back on the air, transmitting from a temporary transmitting facility in downtown Houston. It took four months to clean up the wreck at the tower site. The tower had collapsed with such force that much of the wreckage was buried beneath the ground. The new tower was built and completed in October, 1983. The tower was built mainly for nine local FM stations for a specific purpose. The FCC now requires that FM stations meet certain minimum height and power standards, or face being classified at a lower level. In order to keep their classification, these FM stations had to improve their facilities. So they got together and built this tower. Six years, 7 million dollars and five lives later, they they succeeded in building the country's first 9-station, class C, 2000-foot master FM facility. This idea could catch on in other cities that have the same situation.

Another letter Dave sent me a month ago, which I'm now getting around to printing, mentions that WTTE-TV, ch. 28 in Columbus, OH, signed on on June 2. Their transmitter is 20' west of WOSU-TV's transmitter, being two miles north of Westerville at 6680 State Route 3. They are licensed for 2 million watts, but due to antenna problems are only using 1 million watts. They plan to someday go up to 5 million watts. Although not related to television, he sent another article from Broadcast Engineering about a radio station in Curacao, Netherland Antilles. The station has at present two AM transmitters, and is expanding to add two FM transmitters. The FM stations will operate entirely with solar energy.

Back to Nate Ely, during a skip opening he saw CBRT on channel 2. As we now know, CBRT moved from channel 3 to 2. Nate, did you see CBRT or CJBRT? Now I'm wondering if we're talking about one station or two. He also logged an ID slide of CPER on channel 5, and wondered if that changed channels also. That was probably CPER-TV-2 in Gaspere Nord, Que, which operates 11.7 kw ERP. Nate contacted KWWL-TV, and was told that their tower collapsed on 11/27/83. They have been operating at full power from their old standby tower in Jessup, IA, about 13 miles NW from their regular tower site. The tower should be back to operational by now. Nate also says that WRSP-TV, ch. 55 in Springfield, IL, is not ABC-NBC, as was stated earlier. It's probably independent. The ch. 55 translator on Iron Mountain is relaying WLUC, ch. 6, not WBAY, ch. 2.

Bill Draeb has seen KIBY, ch. 4 in Colby, Kansas, several times in the past few months, but only with a CBTP. Are they doing any programming yet?

Roy Barstow, writing at the end of August, says WSTG, ch. 64 in Providence, RI, is still off the air. He hasn't seen WOPB, ch. 64 in Seaford, DE. It's still on, though. I can get a weak signal just about any night, but they just aren't putting much of a signal out.

## CANADIAN NOTES FROM WALTER PATTON

Walt writes, "First, with respect to remarks in my last letter reprinted on page 15 of the July VUD: it was not my intention that they in any way be construed as a rebuke." I didn't take it that way at all. Nevertheless, I felt it was wrong on my part to misplace information which he took the trouble of sending me. Much of the information Walter sends me deals with large numbers of repeaters operating at 20 watts or below. I haven't published those repeaters in the columns, but they will be very useful when I get to do the Alaska-Canada repeater list. That won't be soon, however. After the translator list is completed, I have a few other projects to work on, but it will come in time.

## NEW TRANSMITTERS GRANTED

ONT Warton; ch. 20; 125 kw ERP; repeater for CKNX, ch. 8, Wingham; CBC network

## CHANGES APPROVED

NS Halifax; CBHFT; change from ch. 32 to 13; ERP change from 48.6 kw to 1.29 kw (not much change in coverage, when you realize that 32 is UHF and 13 is VHF.); "Never operated on ch. 32 although change approved in 1980. Has been on Ch. 13. .135 kw"

## APPLICATIONS FOR CHANGES

ALB Harvie Heights; CBRT-13; change from ch. 61 to ch. 22; raise power from 10 watts to 100 watts.

BC Tofino; CBUT-22, ch. 10; to rebroadcast CBC Anik instead of CBUT, ch. 2, Vancouver, B.C.; 43 watts.

QUE Malarctic; CPCL-TV-5, ch. 5; to rebroadcast CBMT (ch. 6, Montreal) instead of CPCL (ch. 6, Timmons); 17.1 kw ERP

SA Moose Jaw; CBKT-1, ch. 4; to increase ERP from 48 kw to 94 kw; move transmitter to Belle Plaine (40 km west of Regina; 32 km northeast of Moose Jaw); change call sign to CBKT, and identify as Regina/Moose Jaw. CBKT, ch. 9 in Regina to be deleted.

SA Regina; CBKFT, ch. 13, to change to ch. 9, replacing CBKT; change ERP from 140 kw to 325 kw; move transmitter to Belle Plaine (see above); identify as Regina-Moose Jaw; delete CBKFT-10, ch. 16, Moose Jaw.

## FCC DEREGULATION OF BROADCAST TELEVISION

Several months ago it was announced that the FCC was eliminating a large number of rules, particularly the rules limiting commercials to a maximum of 16 minutes per hour, requirements of a certain amount of time dedicated to news, informational programs, locally-oriented programs, and overall nonentertainment programs; other rules required evidence of a determined effort by a licensee to determine or ascertain its communities' needs, desires and interests; then there were rules requiring stations to keep program logs, listing every program that is broadcast by a station.

While there have been other areas of deregulation in the past few years, and more on the way, the issues mentioned above, considered in Mass Media docket No. 83-670, have been particularly controversial.

The issue was published in the Federal Reg-

ister, Thursday, August 23, 1984, pages 33587 to 33620, and includes its original proposals for deregulation, a review of comments from the public, and the FCC's final decision on the matter. Areas involved were (1) program guidelines, which determine a minimum amount of non-entertainment programming, including news, public affairs, and informational programming; (2) ascertainment of public needs and interests; (3) the 16 minute per hour limit on commercial advertising; (4) program logging requirements, and (5) the FCC's guidelines in auditing stations with respect to the above rules.

In this area, as with other instances of deregulation two basic concepts prevail. Firstly, the marketplace (public pressure, competition for the public dollar, etc.) has been more effective than federal regulation in enforcing present regulations, making it unnecessary for the FCC to enforce these rules. But does that justify eliminating the rules if nobody is breaking them? Yes, it does, and that is where the second concept comes in. In order to make sure the stations are doing what they should, a tremendous amount of paperwork, expense, and wasted time is spent. This can be better understood by looking at the FCC's reasons for eliminating the rules mentioned.

**PROGRAM GUIDELINES.** The FCC had required that a commercial television station spend 5% of its time, at least, in informational programs, a minimum of 5% of its broadcast time for programming of a local nature, making a minimum of 10% non-entertainment programming. During a survey taken from 1973 to 1979 the average commercial station spent 13.7%, 10.3%, and 24.3% respectively for the three above-mentioned categories, or more than twice what the FCC required. Obviously, marketplace incentives have encouraged television broadcast stations to go well beyond FCC minimum standards. What, then are the disadvantages of keeping those minimum standards on the rulebooks? Conflicts with Congressional policies expressed in the Regulatory Flexibility Act and the Paperwork Reduction Act, imposition of burdensome compliance costs, possibly unnecessary infringement of the editorial discretion of broadcasters, and distortion of the FCC's traditional policy goals in promulgating and monitoring programming responsibilities.

There is also the fact that this rule has in some cases become an end unto itself. The FCC is concerned that informational, news and public interest programs be available to the public, not that the stations be required to have these programs. There are some TV stations now that have to endure additional expenses to subscribe to Cable News Network or Independent News Network to provide news to a city that already has ten other stations providing several hours of news each. (People who turn on an easy-listening station want background music to relax with, not the two minutes of hourly news that the station is required to broadcast.) The Washington D.C. Court of Appeals held that regulations originally adopted to correct a specific prob-

lem may be capricious if that underlying problem no longer exists. Such is the case with the availability of news and informational, public service, and other nonentertainment programming.

The FCC wants it understood that, although it is eliminating its requirement of a minimum amount of time, it is not eliminating a television station's obligation to provide this type of programming. The issue may be raised in a petition to deny a station's license renewal.

**ASCERTAINMENT REQUIREMENTS.** Certain ascertainment procedures have been set by the FCC. A television station must determine the composition of the area to be served (race, economic conditions, etc.), consult with community leaders and members of the public, enumerate community problems and needs, evaluate those needs, and relate programming to those problems and needs. Stations must, in their license renewal process, must document those efforts for the FCC, and must keep those records in a public inspection file.

Again, ascertainment procedures were never intended to be an end in and of themselves. They were to ensure that licensees actively sought out the needs, problems, and issues facing their communities, thus affecting the process of program decision-making. There is no evidence that these procedures have had such an effect. Nor is there any guarantee that once a public concern is ascertained, the station would present programming responsive to that concern. Ascertainment rules have already been eliminated for dropped from commercial radio and stations in small markets.

Litigation over the formalized requirements of ascertainment have cost the stations, the FCC, and the public, and is considered by the FCC as "litigation over trivia." Such hearings also delay service to the public.

The ascertainment requirements are being abandoned by the FCC. In future proceedings, the FCC will be interested in the station's responsiveness to community needs, not the methodology used to arrive at the station's response.

**COMMERCIAL GUIDELINES.** In 1973 the FCC adopted a 16-minute guideline for television stations. This is a guideline, not a rule. But because of the FCC's reaction to any station exceeding that guideline, it might as well be considered a rule. The FCC would take into account a station's amount of commercialization when processing an application for a license. If that guideline were exceeded, the FCC would entertain petitions to deny on the basis of overcommercialization.

An analysis showed that network affiliates averaged 10.87 minutes of commercials per hour. A survey of 136 network affiliates and 30 independent stations by NAB averaged 10.4 minutes per hour for network affiliates and 9.6 for independents, again demonstrating that marketplace forces are the determining factor, not FCC rules or guidelines.

Meanwhile, elimination of this guideline would reduce the paperwork resulting from record keeping, reviewing and monitoring.

The FCC is also concerned with involvement with First Amendment protection to commercial speech if it regulates program content. The Supreme Court mandated several years ago that regulation in constitutionally sensitive areas use the least restrictive means suitable to achieving its legitimate ends. With no indication that elimination of this guideline would hurt the public interest, the FCC feels it has sufficient cause to do so.

**PROGRAM LOGS.** Since the beginnings of broadcast regulation there has always been some form of program logging requirements. Under present rules television broadcasters are required to maintain logs of all program broadcasts, along with the type of program and source. These logs must be kept for two years, and must be available to the public.

The FCC occasionally takes an audit of a commercial television station to make sure it is adhering to all requirements. As part of its audit, a typical week's program logs must be sent to the FCC as a sample of the station's compliance with promises made at the time its license was last renewed.

According to a 1978 GAO report, the FCC's logging requirements constituted the largest government burden on business in terms of total burden hours. Because of the minimal use of these logs by the FCC and the burdens imposed on broadcasters, the FCC felt that these requirements should be dropped. But how should the FCC determine a station's efforts to meet community needs and interests with no program logs?

There are other sources. In cases where a petition to deny license renewal has occurred for lack of compliance with community issues, there has been the availability of television listings in newspapers and publications such as TV Guide. There is also monitoring of a station's programming by the public.

The FCC decided that the best method of documentation would be a quarterly issues/programs list requirement. This list would be placed in a station's public inspection file and contain a brief description of at least five to ten issues to which the licensee gave particular attention with programming in the past three months with a statement of how each issue was treated. This list will also include the date, time, and duration of the programs.

**LONG FORM AUDIT.** All the information provided in the previous headings are related to this fifth heading. A random 5% of all commercial television stations are subjected to the random long form renewal audit before a license renewal application is granted. Such an audit for radio station was already deleted from FCC rules in its deregulation of radio when it was felt that the radio marketplace warranted its deletion. Television is now at the stage where the FCC feels the television audit is no longer needed, and is now being dropped. Field Operations Bureaus will continue to conduct random checks for technical inspection and completeness of public files, but commercial

television licensees are still under obligation to serve the public interest.

Next month I plan to continue this subject, giving the reactions from the broadcasting industry, other concerned groups, and some reaction from club members. Are you for or against the changes listed on these last few pages? What about other aspects of deregulation of the broadcasting industry, both those rules which have been deleted already and those under consideration? How will deregulation affect the DX hobby?

Or will it? Without program log requirement rules, could, and would, a station verify your reception report? If the FCC relaxed its rules on call letters and station identification, would it become harder for you to identify a station? How has the deletion of many of the STV rules affected your hobby?

Robert Goodman already sent me his opinion as soon as he read the August VUD. "I took my August VUD to Jamestown, but didn't read it while there. If I had, I'd have written this note to you on the spot, so strongly do I feel about this issue.

"As far as FCC requirements regarding broadcast content, I'm against them all. (I'll make a possible exception for IDing, though even as a DXer, I'm not even certain those should be required.) There should be no censorship. That means no legal rules forbidding or requiring any content whatsoever. This excuse about public ownership of the airwaves cuts no ice with me; I wish the rf spectrum had never been nationalized as it was in the 1920s. Transmission space should be a type of public property.

"I'm also opposed to FCC rules regarding ascertainment of 'public needs', record keeping, etc. concerning factors not directly connected with transmission itself. I realize that without log keeping by stations, QSLing would be inaccurate or nonexistent. But remember that stations aren't legally required to QSL anyway, so DXers don't stand to lose any privilege there. Besides, according to the clipping I gave you, stations voluntarily maintain logs anyway in the vast majority of cases."

The article mentioned by Robert Goodman mentions that Young & Rubicam, the nation's largest ad agency (next to PBS), intends to check up on television stations to make sure that which was purchased by advertisers is in fact what was run. Several ad agencies called on television stations to maintain their logs so that advertisers can verify that their commercials have been broadcast as ordered. 95% of the stations surveyed by Young & Rubicam planned to continue their maintenance of logs.

**NEXT MONTH:** More changes in the FCC rules and regulations clarify what constitutes a modification of a television or FM station license, and what constitutes a major or minor change in a station's facilities, mandatory carriage of subcarrier frequencies in the aural baseband of television transmitters by cable companies, attempts by the Los Angeles County Sheriff to take a bite out of...the UHF television spectrum!

# HAVE YOU CHECKED YOUR MAILBOX LATELY?



WTFDA MAILBOX IS YOUR COLUMN. NOW CONDUCTED BY VERY CAPABLE DXER ALAN HYAMS, THIS EVER-POPULAR VUD FEATURE WANTS TO HEAR FROM YOU TODAY. TELL US ABOUT YOUR INTERESTS IN DXING, YOUR DX SET-UP, YOUR CRITICISMS ON THE CLUB, AND ANY TYPES OF DX NEWS OF GENERAL INTEREST YOU MIGHT HAVE.

WRITE TO: WTFDA MAILBOX, C/O ALAN HYAMS,  
P.O. BOX 130  
BRONX, NY 10464

## SPECIAL: W.R.T.H. '85

1985 World Radio TV Handbook The 1985 WRTH will be published in Jan. or Feb. 1985 and retail at \$19.50 in the USA; prepublication orders are being taken at \$15 Book Rate or United Parcel Service (please specify) in the USA only. For First Class Mail, please add \$3. The deadline for this special price structure is 10 November 1984. Thereafter, until further notice, the price is \$16 for Book Rate or UPS; First Class Mail will be \$4 extra. Orders, with check or money order payable to CENTURY PRINT SHOP, should be mailed as early as possible to: Century Print Shop, Don Erickson, 6059 Essex St., Riverside, CA 92504-1599. Inquiries welcome at (714) 687-5910. Outside the USA, please send SASE for price quote to: Canadian International DX Club, Don Moran, 6815 12th Avenue, Edmonton, Alberta, CANADA T6K 3J6. Back copies of WRTH, 1981 through 1984, may be ordered at \$17.50 ea., 2/\$30, 3/\$42, 4/\$52, 5/\$60, mix or match years. California residents, please add 6% sales tax to ALL orders.



**Out of Sync!**

This is a correction to the Atari Distance & Bearing program that appears in the September issue of VUD. Line 570 in the program should be replaced by Lines 570 and 572, as shown on the corrected program here.

--Larry G. Fuss

```

100 REM SITE-TO-SITE DISTANCE CALCULATING PROGRAM
120 REM USES METHOD OF PART 73.207 AND APPROXIMATION
130 REM OF DATA IN FIGURE 73.698
140 REM - WRITTEN BY CONTEMPORARY COMMUNICATIONS
145 RAD
149 PRINT "CONTEMPORARY COMMUNICATIONS"
150 PRINT "DISTANCE & BEARING CALCULATOR"
160 PRINT
170 PRINT "ENTER COORDINATES AS CALLED FOR."
171 PRINT "SEPARATE WITH COMMAS (DD,MM,SS)."
172 PRINT
173 PRINT
174 PRINT
175 PRINT "ENTER REFERENCE SITE LATITUDE..."
176 PRINT
180 INPUT L1,L2,L3
190 IF L2)59 THEN 180
200 IF L3)59 THEN 180
210 LR=L1+((L2+(L3/60))/60)
214 PRINT
215 PRINT "ENTER REFERENCE SITE LONGITUDE..."
216 PRINT
220 INPUT G1,G2,G3
230 IF G2)59 THEN 220
240 IF G3)59 THEN 220
250 GR=G1+((G2+(G3/60))/60)
260 PRINT
265 PRINT "ENTER SECOND SITE LATITUDE..."
269 PRINT
270 INPUT L4,L5,L6
271 PRINT
280 IF L4)60 THEN 170
290 IF L5)59 THEN 270
300 IF L6)59 THEN 270
310 LS=L4+((L5+(L6/60))/60)
315 PRINT "ENTER SECOND SITE LONGITUDE..."
319 PRINT
320 INPUT B4,B5,B6
321 PRINT
330 IF B5)59 THEN 320
340 IF B6)59 THEN 320
350 BS=B4+((B5+(B6/60))/60)
360 LA=(LR+LS)/2
370 RL=LA/57.2958
380 KT=68.53+(LA*0.0116)
390 KN=69.25*COS(RL)
400 DT=LS-LR
410 DN=GR-GS
420 MT=DT*KT
430 MN=DN*KN
440 MI=SQR(MN^2+MT^2)
450 IF MT=0 THEN 570
455 AQ=MN/MT
460 GOTO 580
470 MN=-9999
475 IF MN)0 THEN AQ=9999
480 AZ=57.2985*ATN(AQ)
490 IF MT)0 THEN AZ=AZ+180
500 IF AZ)0 THEN AZ=AZ+360
510 PRINT
520 PRINT MI:
530 PRINT " MILES AT ";
540 PRINT AZ:
550 PRINT " DEGREES ";
560 GOTO 260

```

Replace line 570 with these two lines (570 & 572)

**Out of Sync!**

Apologies to Mike Lapinski. We incorrectly printed his amateur radio call on page 21 of the June VHF-UHF DIGEST; correct call is KA2SNY. -bt

# SPECIAL ON Vhf-Uhf DIGEST BACK ISSUES

SPECIAL OFFER FROM WTPDA CLUB SUPPLIES -- EFFECTIVE FOR A LIMITED TIME ONLY...

ANY 10 BACK ISSUES OF YOUR CHOICE: \$9.00

ANY 20 BACK ISSUES OF YOUR CHOICE: \$17.50

HURRY! THIS SPECIAL OFFER IS GOOD ONLY UNTIL 12/31/84! HERE'S YOUR CHANCE TO ADD TO YOUR VHF-UHF DIGEST LIBRARY. THE SUPPLY OF BACK ISSUES IS LIMITED -- WE MAY NOT BE ABLE TO REPEAT THIS SPECIAL OFFER.

HERE'S WHAT WE HAVE LEFT:

January	1974	November	1978	January	1983
February	1974	December	1978	February	1983
March	1974	April	1980	March	1983
April	1974	June	1980	April	1983
May	1974	July	1980	May	1983
June	1974	August	1980	June	1983
July	1974	September	1980	July	1983
September	1974	October	1980	August	1983
October	1974	November	1980	September	1983
December	1974	December	1980	October	1983
January	1975	January	1981	December	1983
February	1975	February	1981	May	1984
October	1977	March	1981	June	1984
December	1977	April	1981	July	1984
January	1978	May	1981	August	1984
February	1978	June	1981	September	1984
March	1978	July	1981	October	1984
September	1978	August	1981		
October	1978	September	1981		

-- AS OF 9/12/84

WHEN ORDERING, PLEASE LIST THE ISSUES OF YOUR CHOICE. INDICATE SECOND CHOICES OR SPECIAL INSTRUCTIONS IN CASE ISSUES DESIRED ARE SOLD OUT.

ORDER FROM WTPDA - P.O. BOX 514 - BUFFALO NY 14205-0514 - U.S.A.

