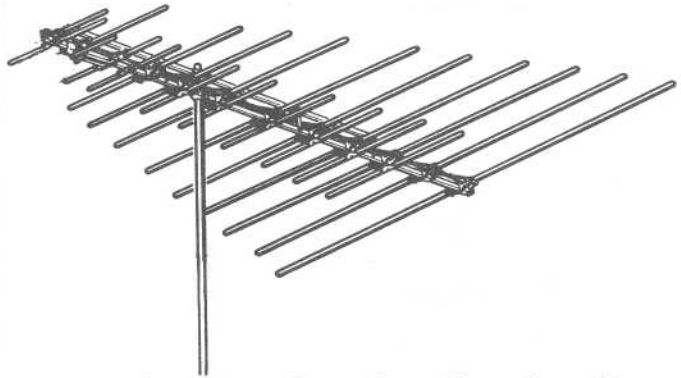


Vhf-Uhf DIGEST

The Official Publication of the Worldwide TV-FM DX Association

APRIL 1996

AH, SPRING!!!!



IT'S TIME FOR
TV & FM DX TO
BLOSSOM AGAIN!

POSTAL SERVICE
DEFEAT DYSTROPHIA
DEFEAT DYSTROPHIA



WORLDWIDE TV-FM DX ASSOCIATION
507 BOX 1333 - ASHEMUSSELAN
MUSSELAN 29157
1996

SUPPORT MDA
WORLDWIDE TV-FM DX ASSOCIATION

BUFFALO, NY
APR 6
1996

LOWESS
USA
MUSSELAN
DISTR
MD

OPINIONS EXPRESSED IN THIS PUBLICATION ARE THOSE OF THE INDIVIDUAL CONTRIBUTOR AND DO NOT NECESSARILY REFLECT THE VIEW OF THE PUBLISHER OR BOARD OF DIRECTORS. WE RESERVE THE RIGHT TO EDIT MATERIAL TO MEET PUBLISHING STANDARDS. UNLESS PREVIOUSLY AGREED UPON IN WRITING, ALL MATERIAL SUBMITTED FOR PUBLICATION IN THE WF-UHF DIGEST BECOMES THE PROPERTY OF W.T.F.D.A.

REPRODUCTION OF MATERIAL FROM THE WF-UHF DIGEST WITHOUT PERMISSION OF W.T.F.D.A. IS PROHIBITED. INDIVIDUALS AND OTHER ORGANIZATIONS ARE GRANTED SUCH PERMISSION PROVIDING PROPER CREDIT IS GIVEN TO THE SOURCE.

ANNUAL DUES: \$24/year* U.S. addresses
\$26/year* to Canada
\$38/year* for airmail service to all other
U.S. funds) countries. (*Payable in U.S. funds)

first class mail

11/96
BILL NOLLMAN
35 NYE RD
GLASTONBURY CT 06033

WORLDWIDE TV-FM DX ASSOCIATION

SERVING THE VHF-UHF DX ENTHUSIAST

THE VHF-UHF DIGEST IS THE OFFICIAL PUBLICATION OF THE WORLDWIDE TV-FM DX ASSOCIATION, DEDICATED TO THE OBSERVATION AND STUDY OF THE PROPAGATION OF LONG DISTANCE TELEVISION AND FM BROADCAST SIGNALS AT VHF AND UHF. W.T.F.D.A. IS GOVERNED BY A BOARD OF DIRECTORS: TOM BRYANT, GREG CONIGLIO, BRUCE HALL, DAVE JANOWIAK, AND BILL THOMPSON.

COMPTROLLER: DAVE JANOWIAK EDITOR/PUBLISHER: BILL THOMPSON
FM NEWS: GREG CONIGLIO CONVENTION CO-ORDINATOR: TOM BRYANT
TV NEWS: DOUG SMITH PSB: BILL HEPBURN SATELLITES: GEORGE JENSEN
LAYOUT: BILL THOMPSON COVER DESIGN: HARRY HAYES PHOTOS: JEFF KRUSZKA
EDITORIAL STAFF: TOM BRYANT, DANNY BUNTIN, GREG CONIGLIO, VICTOR FRANK,
BILL HEPBURN, GEORGE W. JENSEN, JEFF KRUSZKA, TIM MCVEY, FRED NORDQUIST,
MATT SITTEL, DOUG SMITH, STEVEN SPRACHMAN, STEPHEN WEST, THOMAS J.
YINGLING, JR.

FROM THE STAFF:

WTFDA ADDRESS CHANGE: It's official, and **NOW IN EFFECT**. All mail for the club should be addressed to:

Worldwide TV-FM DX Association
P. O. Box 17333
Asheville
NC 28816

This includes general correspondence, new subscriptions, renewals, requests for sample copies, etc. The club's new 'postmaster', Matt Sittel, will see that all materials are dispatched to the proper recipients. As always, contributions to the various feature editors should be mailed directly to those individuals.

WEB PAGE UPDATE: As is the case with just about everything on the 'web', our club's home page is updated quite frequently. The addition of a counter to keep tab on how many visitors we get has necessitated a minor URL revision. Here's the new address:

<http://www.crosslink.net/~fdaustin/wtfda.shtml>

DXer OF THE YEAR: Tom Bryant, an active member in the WTFDA, NRC and IRCA, was named "DXer of the Year" March 16 in Kulpville, PA. The award is presented by ANARC, the Association of North American Radio Clubs. Details on the citation and others receiving recognition will appear in the May VUD.

1997 CONVENTION BIDDING NOW OPEN: Interested in hosting the 1997 club convention? Submit your proposal to Convention Coordinator Tom Bryant (see "TV TIME TUNNEL" for address). Be sure to include preliminary (proposed) information on such items as lodging and possible field trips. Bids must be postmarked no later than June 10. If more than one bid is received a vote will be conducted in July to determine the choice of the membership at large. The winning applicant will be announced at this year's convention August 9-11 in Estes Park, CO. On that subject, have you made plans to attend? Early sign-up is recommended...particularly for accommodations. See information elsewhere in this issue (also last month's VUD) for particulars.

WTFDA FACT: How many of us are there? Well, as far as the total number of AM-FM and TV dxers goes, it's anybody's guess. We know for certain that 360 have found a home in the WTFDA. How does that stack up against membership in the AM dxer groups? The National Radio Club is about 800 strong, and the International Radio Club of America comes in at the 250 mark. It's interesting to note that a significant percentage of WTFDA members also belong to one or both of the AM clubs. No reliable data was available regarding membership in the short wave clubs.

WTFDA Mailbox

Worldwide TV-FM DX Association
PO Box 17333
Asheville, NC 28816

April 1996

Edited by: Matthew C. Sittel. E-mail: 76255.2171@Compuserve.com

April, 1996 Renewals Due:

Robert Baker, Charles Burnham, Rolando Caponi, Vincent Cavaseno, Timothy J. Clampit, Ernest R. Cooper, Eric Fader, Robert E. Fischer, Roger Gravelle, Christopher Hanley, Hank Holbrook, John Hourigan, Robert Kramer, Ron Le Blanc, Ray Leko, Gus Mancuso, Dan Oetting, Ed Phelps, Jack Snyder, William W. Thompson, James J. Wallace, Larry Weisberg, Ben R. Wilkie.

New on the 'Net / E-mail changes :

No changes to report this month... although if you haven't visited the WTFDA Home Page on the World Wide Web, you should check it out! David Austin has done a fantastic job on this page, and we all owe him a thank you for getting the club onto the 'Net. Hopefully we can find some new members out there surfing...

NEW ADDRESS FOR WTFDA! As promised last month, there's a brand new mailing address for the WTFDA: PO Box 17333, Asheville, NC 28816. This replaces the old PO Box 514 in Buffalo address, but for the time being PO Box 514 will not be closed down. Below is a guide to help clarify where to send your WTFDA materials, and what happens to them!

* Send **CAMERA-READY** VUD columns/technical articles/special reports to Bill Thompson, 1907 Seneca St., Buffalo, NY 14210-1850. Don't forget to write on the envelope the column you're submitting to help Bill out. Bill will continue to handle publishing duties of the VUD, but the address for submitting materials has changed.

* Things to send to **PO Box 17333** include:

- membership renewal dues (I'll forward these to Dave Janowiak)
- address changes (Bill Thompson will be notified so the VUDs can be mailed to the new address)
- inquiries as to new membership (to be forwarded to a yet-to-be-determined WTFDA'er)
- requests for sample VUDs (to be forwarded to Bill Thompson for mailing)
- submissions to "WTFDA Mailbox" (please indicate this on the envelope, by writing in the lower left-hand corner 'Attn: WTFDA Mailbox' so I can keep things organized!)
- non-camera ready material for publication in the VUD. (We need a volunteer to type up such materials. Inquire within!)
- all other club correspondence (to be forwarded, if necessary, to a WTFDA BoD member for further attention)

If you're not sure where to mail it, send it to PO Box 17333, and I'll see that it gets forwarded properly!

* Eric Bueneman (N0UIH), 631 Coachway Lane, Hazelwood, MO 63042-1347
Internet: EBSDJDX@aol.com

Hello again everyone! I've got to put in my E-mail's worth here, so I'm going to begin with call letters. Walt Breville, in a recent Mailbox, said that call letters were irrelevant. I hate to burst Walt's bubble, but call letters are VERY relevant. It clears up a lot of confusion. Take my situation on Channel 17 at my QTH as an example. I'm located within 110 miles of two stations on Channel 17, and both are ABC affiliates, like my local KDNL-30. What would happen if both were in at the same time, and at the same level? You have to rely on the call letters when identifying both, if you can't get

a word edgewise on commercials or PSAs. In my case, the two ABCs on the same channel are WAND-17 Decatur, IL and KMIZ-17 Columbia, MO. Call letters are unique...no more than four stations (one AM, one FM, one TV, and one SW) can have this call! 'Nuff said on calls.

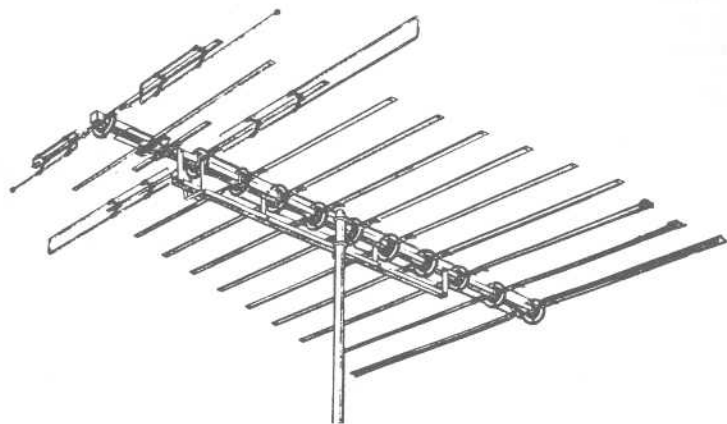
John Adams brings up a good point about changing format or presentation to satisfy a faction of people. I used to be a radio announcer in the St. Louis and Atlanta radio markets (albeit non-commercially), and even though I find some presentations to be atrocious (take all the stations carrying Howard Stern as the worst example), that's the way the business is. They're in the business to make money, and if they can make money with some of the worst DJs in the nation, then there should be no reason to complain about this in VUD. The proper place for this is in publications such as Radio World (where I complained about Tom Gammon's proposal to move WHMA-FM 100.5 from Anniston, AL to Sandy Springs, GA back in 1990, also mentioning about discrimination against entry-level DJs and disabled people in broadcast employment), Broadcasting and Cable, or even your local newspaper.

Doug Smith mentioned "translator abuse" in Nashville...it hasn't made it to St. Louis yet (and I hope it never does). Only two translators are on the air in the St. Louis market, and both relay WIBI-91.1 Carlinville, IL. They are W288AW-105.5 Alton, IL (directional to protect KPNT-105.7) and W211AD-90.1 Granite City, IL (directional to protect KWUR-90.3 and KRHS-90.1). W288AW is not heard very well past West Alton, MO while W211AD fades out west of Ferguson, MO. I've heard W211AD in the shadow of KCFV-89.5. Here, the main station on 91.1 is the only channel that comes in (and it has a decent signal). With a major U.S. airport three miles south of my present QTH, and the nearest transmitter being six miles due north (and it's only a class C2, WKBQ-104.1), DX is not much of a problem! When I was in Woodstock, GA, there was only one translator there, W298AA-107.5 Roswell, GA (relaying Moody's WMBW-88.9 Chattanooga, TN). I could hear the main station better than the translator, and in some parts of town, WYHY would be heard over W298AA. With Atlanta having a Moody station of its own (WAFS-920), that probably could be a moot point to use an FM translator, except if one prefers the sound of FM over AM.

Plans are now in the works for St. Louis DX Get-Together '96 (details were in the February 1996 VUD). 73, Eric-N0UIH

Congratulations! ... to WTFDA member John C. Johnson, who wed Nancy Hardy on Valentine's Day, February 14, 1996. Longtime WTFDAers may remember Nancy (Gantzer) when she was a WTFDAer in the early '70s. We wish both of you all the best!

Until next time.....73s, Matt



SATELLITE NEWS

GEORGE W. JENSEN
4604 ANNTANA AVENUE
BALTIMORE MD 21206-4220

Fin-ally, this column, I am able to begin to list some of the Audio Sub-Carrier stations. But first, some changes. Another new satellite - PanAmSat 3 at 43 West as of 1-12-96 - more details later currently:

- XPDR 16 - MAC signal - probably Retevision from Spain in PAL noted in the clear earlier
- 21 - MAC signal - unknown programmer
- 24 - ID channel - all of these are on C Band other changes---
- Ekspress - 14 West XPDR 6 - TVM - Antananarive, Madagascat in SECAM returns with great signal
- Echo Star - a Ku-Band bird is now located at 119 West and will be primarily a digital DBS Satellite - nothing noted.
- Gospel Music Television currently at G3-8
- The Set - Syndicated Entertainment Television C1-9
- Book Television occasionally at G4-9
- Americas Collectibles Network at G4-13
- new shopping service noted on G1-24
- ON Telstar 303 -
- XPDR 6 --~~XXXPose~~== sorry - XXXPlore
- 8 - XXXPose
- 9 - Porn channel prormos
- 10 - porn Channel Promos
- 22 - Croatian Television has moved to ????????
- RPT - Lisbon Portugal has moved again - now to G6-13
- The British Forces Television on TDRSS XPDR 1 - is gone
- Asianet that was on Orion XPDR 26 - is gone

I have temporarily given up on the changes on the Anik birds. more later when and if ever things stabilize somewhat.

Now on to subcarriers:

The format will be per satellite and transponder - I am not indicating frequencies since it only takes a little effort to find them in the space between 5.0 and 8.5 Mhz on the turner.

- Satcom C1 -
- 2 - reading Network
- 3 - Reading service of the Rockies
- 5 - talk Radio Network
- 6 - Church of Latter Day Saints
- satcom C4 -
- 5 - Various Deutsche Welle programming
- 6 - CD 101.9 - WQCD - New York City, New York
- 8 - Background Music
- KILA - Las Vegas, Nevada
- 10 - Reading Service
- Business News Network
- Concert 90 Public Radio - WUSF - Tampa, Florida
- 15 - WQXR FM - New York City, New York
- 24 - AM 650 - WSM - Nashville, Tennessee
- Galaxy 1R
- 11 - WEWN - Short Wave services of EWTN Network
- 17 - religious music
- Satcom C3
- 7 - Various C-Span services both foreign and domestic
- 23 - Oldies music station
- Galaxy 5
- 2 - KLON - Jazz - Long Beach, California
- 6 - Brother Stair's radio
- World Radio Network - 2 channels - different programming
- Gospel Music radio (Black)
- 7 - WFMT - FM 98.7 - Chicago, Illinois
- Yesterday USA Superstation
- 18 - wtn - Nashville, Tennessee (lic to Manchester, Tenn.) (Supertalk FM)
- 21 - Miscellaneous music channels)
- SBS5
- 29V - Russian-American Radio Network

Telstar 303

22 - Antenna Satellite Radio - Athens, Greece (probably soon to move)

Morelos 2

8 - XEWA - San Luis Potosi (Monterrey)

14 - XEW - Mexico City, Mexico

Anik E1 (C-Band)

2 - WGN - Chicago, Illinois

Agri-News

CILQ - Toronto, Ontario

Hindu Programming

CHIN - 1540 - Toronto, Ontario - ethnic programming

15 - CBC French

16 - various CBC feeds

20 - CBF - Montreal, Quebec

CBM - Montreal, Quebec

no subcarriers noted on Ku-Band

Anik E2

18 - WOKI - Knoxville, Tennessee

20 - CHOZ - St. Johns, Newfoundland

on the Ku-Band

on the TVO channel - CJRT - Toronto, Ontario and a Native Canadian service

Galaxy 4 - C Band

6 - KBVA - Belle Vista, Arkansas

WCRP - Guayama, Puerto Rico

15 - WHME - South Bend, Indiana

WHRI International Showtwave feeds

22 - WCNJ - Hazlet, New Jersey - a little 100 watter?

on the Ku-Band

31 - DZMM - 630 - Radio Patrol - Manila, Philippines

Radio Romance - Manila, Philippines

Telstar 401 - Ku-Band

28 - WJSP - 88.1 - Atlanta, Georgia (Georgia Public radio)

Galaxy 7

10 - Radio Maria - 2 feeds - Italy and Poland

14 - RAI Radio - Rome, Italy (possible)

10 - (out of order) - Radio Dubai (1314 Khz frequency perhaps)

19 - WCBS - Radio 880 New York City, New York

24 - Russian Radio Network ????

Telstar 402 -

11 - Yesterday USA

Spacenet 3

1 - WROL - Boston, Massachusetts

Radio music services (UniStar?)

WYJZ - Pittsburgh, Pennsylvania (AM 860)

13 - USA Radio Network

15 - Parsi Radio service (Iranian)

Ambassador Radio

2 - KUCV - 90.9 - Lincoln, Nebraska (Public Radio)

reading service

4 - as above

18 - In-Store music services - K-Mart/WalMart, etc.

24 - Prime Sports Radio

KYND - Cypress, Texas

Telstar 302 (soon to go dark)

2 - KTRT - Tulsa (Claremore), Oklahoma

Black Capitalist Broadcasting Network

K2

8 - Chinese Radio Service from Los Angeles area (KAZN?)

Galaxy 6

14 - USA Patriot Network - Castle Rock, Colorado??)
Eagle Radio Network

15 - WCCO - Minneapolis, Minnesota

23 - Religious Music Station

Spacenet 2

1 - WLIR - Spring Valley, New York

3 - various Voice of America feeds

4 - WCMQ-AM - 1210 - Miami, Florida

11 - Radio Tropical - French

15 - WLVE - Love 94 - Miami, Florida - with HERO Teleport Logo

Intelsat 50 West

5 - Radio Programas Del Peru "RPP" - Lima, Peru

22 - Radio cadena Nacional - La Paz, Bolivia

PanAmSat KuBand

4 - Radio Belgrad 1

Intelsat K 21.5 west

15 - 6.2 - ReteUno - Italian FM Network -

7.35 - UAE Radio - Abu Dhabi, United Arab Emirates

8.0 - Radio Maria

EKSPRESS 1 - 14 West

6 - 7.8 - Radio Madagascar 630 Antananariva, Madagascar

16 - several Portuguese stations unable to ID because of

very shallow sound on a very poor carrier

21 - 7.5 - Voice of Russia

Hispasat - 31 West

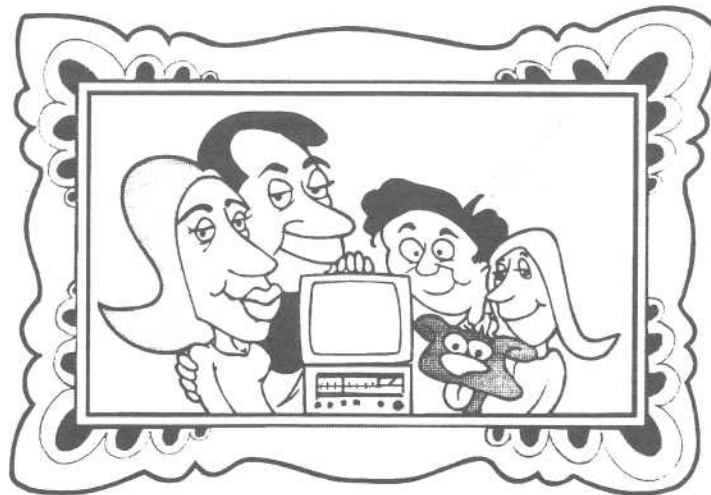
21 - when not programming carries an Radio nacional Espana service

25 - carries several Radio Nacional espanan services

That's all for now - see you in 30 and good DX

George

toons ^{by} OLD WEST
GRAPHICS



THE FIRST DX FAMILY

FM NEWS

APRIL 1996

Many of the items listed in this column are taken from the publication:
M Street Journal - P.O. Box 1479 - Madison, TN 37116-1479
 PHONE (212) 689-5458 FAX (212) 689-7283

editor- GREG CONIGLIO
 5100 GLENWOOD DRIVE
 WILLIMASVILLE, NEW YORK 14221
 E-MAIL coniglio@localnet.com
 TIP DEADLINE - The 10th

FMNEWS

APRIL 1996

California:

San Diego: KKBH 102.9 FC to soft AC "Beach"
 San Mateo: KCSM 91.1 NC to 10 kW, 413 ft., RE
 St. Helena: KVVN 99.3 PC> 6 kW, 259 ft, DA
 Santa Ana: KALI 106.3 CC (ex WYMS)
 Santa Barbara: KRUZ103.3 FC to adult cont.
 Santa Ynez: KAGA 105.9 NO-RE
 Shafter: KLOD 90.9 QG to 91.9, XG: 35-31-29 / 119-18-46

S. Lake Tahoe: KZZF102.9 CC (ex KGLE)
 Tipton: KZZC 104.9 NW, adult cont. (&) (Visalia)
 Ukiah: *** 97.1 PA to add class A
 Yermo: KYHT 105.3 NO-RX

COLORADO:

Buena Vista: KBVC104.1 NO-RE
 Castle Rock: KNFRX92.1 FC to dance-CHR "Jammin"
 Colorado Sps: KKCS101.9 PC> 72.1 kW, 2280 ft.
 XC: 38-44-43 / 104-31-41

Denver: KKHK 99.5 CC (ex KVOD), FC to classic rock
 Denver: KIMN 100.3 dec. to 1132 ft, non-dir.
 Grand Jct: KMSA 91.3 PC> 3 kW
 Greeley: KVOD 92.5 CC (ex KZDG), FC to classical
 Gunnison: KKYV 98.3 CX CP for 15 kW
 La Junta: KBLJ 92.1 FC to Jones oldies (&)
 Pueblo: KCFP 91.9 FC to info/classical // KCFR 90.1

CONNECTICUT:

Danbury: WXCJ 91.7 NC to 3 kW, 220 ft, RE
 Guilford: WGRS 91.5 PC> 3.1 kW
 Ledyard: WBMM106.5 PG< 3.1 kW, 459 feet

DELAWARE:

Bethany Bch: WZSK103.5 NO-GE
 Georgetown: WZBH 93.5 PA: to class B from B1,
 CL: Millsboro, DE
 Laurel: WDNO 95.3 FC to MGS cont. Christian
 no longer // WXPZ 101.3 Milford

FLORIDA:

Alachua: WFJZ 92.5 NO-RE
 Apalachicola: NS 105.5 6 kW, 328 ft.
 Belle Glade: WBGF 93.5 PG> 5 kW, 269 ft,
 XG: 26-42-43 / 80-41-00
 Cedar Key: WCQJ102.7 XG: 29-11-45 / 82-59-46
 Clearwater: WXTB 97.9 XG: 28-10-56 / 82-46-06, now
 class C at 1345 ft.
 Clermont: WLAZ 98.7 CC (ex WREI)
 Ft. Pierce: WKGR 98.7 dec 980', XG: 27-01-32 / 80-10-43
 Ft. Walton: WJUS 96.5 NO-GE (5th)
 Graceville: WYDA101.0 NO-RE
 Holly Hill: WAHJ103.3 XG: 29-14-10 / 81-04-23 (315 ft.)
 Indiantown: WPBZ103.1 PG< 13 kW, 974 ft,
 XC: 27-01-32 / 80-10-43
 Jensen Bch: WHLG102.3 OSA to class C3, PG> 25 kW
 328 ft, XG: 27-05-05 / 80-15-17
 Key Colony Bch: WKKB 105.5 NO-GX (6th)
 LaBelle: WKZY 92.5 OSA for class C3, 25 kW, 328 ft
 XG: 26-44-17 / 81-18-20
 Marathon: WGMX 94.3 NC to 50 kW, 276 ft, GE (4th)
 Marathon: WKTS 97.7 NO-RE
 Marco: NS 91.7 18 kW, 157 ft. (U of S. Fla)
 Midway: WTPS100.7 NW, hot AC "Kiss" (Tallahassee)
 Naples Park: WIXI105.5 PG< 6.3 kW, 649 ft.
 Palm Bay: WWIA 88.5 NO-RE
 Panama City: WFSW89.1 NW, info. and classical
 Panama City: WJTF89.9 NO-GX (3rd), inc. to 213 ft.
 Ponte Vedra Bch: WVPVJ 106.5 NO-RE
 Pt. St. Joe: WPBH 94.5 GA: to class C, CL: Parker, FL
 Punta Gorda: WIKX92.9 PG> 60kW, CL: Charlotte Harbor, FL
 St. Augustine Bch: WJQR 105.5 PC> 16 kW, DA
 Sarasota: WKZM105.5 PG> 3.6 kW, 266 ft.
 XG: 27-16-30 / 82-28-54

GEORGIA:

Bowdon: WYAI 105.5 NO-RE
 Brunswick: WWRW100.7 CC (ex WWRD), "Arrow"
 Cochran: WVMG 96.7 PC> 6 kW, 321 ft.
 Demorest: NS 88.3 6 kW, 640 ft, DA
 Fayetteville: WHTA 97.5 PG< 6.6 kW, 836 ft,
 XG: 33-29-22 / 84-34-07
 Greenville: WKZJ 95.7 FC to urban AC (&), but local
 in the morning, and 7pm to midnight
 Hawkinsville: WQSY103.9 PC> 10.5 kW, 495 ft,
 class C3, XC: 32-10-03 / 83-37-51
 Jesup: WIFO 105.5 adds SMN country (&)
 Macon: NS 88.9 AF (Amer. Family Assoc.)
 Sasser: WEGC107.7 adds Jones oldies (&)
 Smithville: WZIQ 106.9 NC to 106.5, 2450w, RE
 Valdosta: WWRQ107.7 FC to rock
 W. Point: WCJM100.9 adds WW1 country (&)

HAWAII:

Hanalei: KKCR 90.9 CC (NS), 900w -307 ft.
 Kilauea: NS 91.9 905w, 1607 ft.
 Poipu: KSRF 95.9 NO-GE

IDAHO:

Preston: KKEX 96.7 NC to 55 kW, 190 ft, RX
 Twin Falls: KLIX 96.5 FC to SMN oldies (&)

ILLINOIS:

Carbondale: WDBX 91.1 NO-RE, LC
 Freeport: NS 89.1 2.2 kW, 336 ft., N.I.U.
 La Salle: NS 91.3 8 kW, 333 ft, N.I.U.
 Meredosia: *** 93.5 XA for class A
 Mt. Morris: WSEY 95.7 NO-GE (2nd), PC> 3150w, 358'
 XG: 42-04-19 / 89-25-08
 Ottawa: WRKX 95.3 NC to 4.3 kW, RX
 Ramsey: WJLY 93.3 PC> 2550 watts, 505 ft.
 Rock Island: WHTS 98.9 adds Bob & Tom show
 Springfield: WDBR103.7 NC to 20 kW, 768 ft., RX
 Sterling: NS 91.5 2.1 kW, 332 ft, N.I.U.

INDIANA:

Hagerstown: WAEE 91.1 CC (NS)
 Indianapolis: WICR 88.7 PC> 5 kW (h), 1000 ft.
 Linton: WQTY 93.3 FC to adult contemporary
 Nashville: WVNI 95.1 NO-RE
 New Albany: WRV1 94.7 CC (ex WAJE), "River"
 Noblesville: WGLD 93.9 CC (ex WXTZ), "Gold"
 Santa Claus: WAZU103.3 NO-RE
 Taylorsville: NS 94.3 AF
 Terre Haute: WAPC91.9 CC (NS)

IOWA:

Belle Plaine: KXPW 95.5 NO-GE (3rd)
 Boone: KRKQ 98.3 CC (ex KRUU)
 Hudson: KZME 96.1 NO-RX
 Jefferson: KGRA 98.9 PC> 11 kW, 499 ft,
 XC: 41-58-54 / 94-31-12
 Rock Vly: KDUT 106.9 CC (ex KQEP)
 Sioux Ctr: KDRC 88.5 XC: 43-05-34 / 96-09-23

KANSAS:

Emporia: KGZF 99.5 NO-RE
 Hays: KJLS 103.3 inc. to 981 ft, XG: 39-01-21 / 99-28-10

KENTUCKY:

Ashland: NS 91.1 AF
 Campbellsville: WAPD91.7 CC (NS)
 Elizabethtown: WQXE98.3 PC> 8 kW, 512 ft.
 Elkhorn City: WPKE103.1 FC to CHR, "Hot 103.1"
 Hyden: WZQQ 97.9 NC to 1750w, 1207 ft, RE
 Lebanon: WLSK100.9 NC to 15 kW, 295 ft, ND
 XC: 37-35-12 / 85-12-15
 Louisville: WFPK 91.9 FC to alternative & jazz
 Louisville: WFPL 89.3 FC to news and talk

KEY: &: satellite programming AF: new freq. allocation accepted for filing for a new FM license CC: call change/new calls assigned CL: city of license change granted CO: new xmtr co-ordinates CX: a CP has expired, and is cancelled C1, C2, etc: change in class status DA: directional antenna DE: calls deleted, license returned to FCC FC: station format change	GA: granted amendment to table of FM allocations GE: station was granted extension of a CP GX: granted replacement of expired CP LC: filed for license to cover (for new stn.) MC: multiple-city legal ID NC: no change yet, on a reported pending grant/change. ND: non-directional NO: station is not on the air NS: a new station granted a license OSA: one-step application NW: new station signs on the air PA: proposed amendment to change table of allocations PC>: a power change (increase)	PC: a power change (decrease) PG>: power change granted (increase) PG<: power change granted (decrease) QC: frequency change for this station QG: frequency change granted RA: station returns to the air RE: station requests extension of a CP RX: station requests re-instatement of an expired CP SG: slogan change or update SI: station is silent XA: dismissed amendment to the table of FM allocations XC: station changes xmtr site XG: station granted a transmitter (xmtr) site change
--------------------------------------------------------------------------------------------------------------------------------------------------------------------------------------------------------------------------------------------------------------------------------------------------------------------------------------------------------------------------------------------------------------	---------------------------------------------------------------------------------------------------------------------------------------------------------------------------------------------------------------------------------------------------------------------------------------------------------------------------------------------------------------------------------------------------------------------------------------------------------------------------------------------------------------------------------------------------	----------------------------------------------------------------------------------------------------------------------------------------------------------------------------------------------------------------------------------------------------------------------------------------------------------------------------------------------------------------------------------------------------------------------------------------------------------------------------------------------------------------------------------------------



UNITED STATES

ALABAMA:

Andalusia: WWSF 98.1 adds ABC's HotAC (&) (Pensacola)
 Attalla: WKXX 102.9 adds WW1 Hot Country (&)
 Birmingham: WZRR99.5 XG: 33-27-43 / 86-51-00 (1214 ft)
 Brewton: WGYJ 90.9 CC (NS)
 Columbia: WJJN 92.1 NW, urban (Dothan)
 Cullman: WFMH101.1 PC> 100 kW, 1233', class C3
 XC: 34-09-54 / 86-54-13
 Dothan: WAGF101.3 CC (ex WJJN), FC to adult cont.
 PC< 1150w, 535 ft, XC: 31-12-04 / 85-20-04
 Gasden: WSGN 91.5 NC to 6.3kW (v), 522 ft, DA, RE
 Repton: WYNI 101.1 NO-RX
 Rogersville: WFIX 93.9 NW, contemp. Christian, Stereo
 Tallahassee: WACQ 99.9 CL change from Tuskegee, AL
 Trussville: WRAX105.9 CC (ex WWBR), "106K"

ALASKA:

Anchorage: KNBA 90.3 NO-GE (2nd)
 Fairbanks: KUAC 104.7 QG to 89.9 class C, 38 kW, 1660 ft, XG: 64-52-49 / 148-03-08
 Kuparuk: K203BY88.5 NS-188w: KBYR 700 Anchorage Tok: NS 91.9 AF

ARIZONA:

Douglas: KEAL 95.3 CC (ex KKRK)
 Flagstaff: KJTA 89.9 NO-GE (2nd)
 Globe: KRXS 97.3 NW, AC and talk
 Mesa: KZZP 104.7 C C (ex KVRV), FC to hot AC
 Paradise Vly: KXLL105.9 NO-GE, PG> 8.2 kW, 571 ft, class C3, XG: 33-35-16 / 111-45-38
 Phoenix: KESZ 99.9 XG: 33-20-01 / 112-03-44, 1702'
 Prescott: KAHM102.1 PC> 58 kW, 2526 feet
 Prescott Vly: KDTC 98.3 LC
 Sun City: KEDJ 106.3 PG> 50 kW, 492 ft.
 XG: 33-48-46 / 112-28-58
 Tucson: KHYT 107.5 CC (ex KCRZ), PC> 92 kW, 2027 ft
 XC: 32-14-56 / 111-06-59
 Wickenburg: KBSZ 94.1 QC from 93.7, PC> 6.4 kW, 846 ft, XC: 33-55-34 / 112-47-40
 Williams: KWTF 96.7 OSA to class C2, PG> 17.5 kW
 840 ft, XG: 35-14-36 / 112-09-55

ARKANSAS:

Bentonville: KAPG 88.1 1 kW, 233 ft. (Amer. Fam. Assoc) CC (NS)
 Cherokee Vll: KFCM100.9 PA to 98.3 A
 DeWitt: KDEW 96.7 NC to 96.3, 50 kW, 492 ft, RE
 England: KLRA 96.5 PC> 10.5 kW, 495 ft, class C3
 XC: 34-29-10 / 92-09-27
 Ft. Smith: KAOW 88.9 CC (NS)
 Imboden: *** 105.7 PA for class A
 Little Rock: KYFX 99.5 adds ABC Banks program
 Lonoke: KMZX 106.3 NC to 50 kW, 492 ft, RX
 Mtn Pine: KTDX 101.9 Nw, oldies (&) on by April
 Rogers: KAMO 94.3 PC> 21.5 kW, 692 ft, class C2
 Salem: KSAR 95.9 PA: to 100.9 class A
 Walnut Ridge: KRLW106.3 FC to Jones oldies (&)
 Wilson: KAFW103.7 NO-RE

CALIFORNIA:

Atherton: KCEA 89.1 FC to adult standards
 Avalon: KISL 88.7 NO-RE
 Avenal: KAAX 105.7 NO-GX
 Bakersfield: KFRB 91.3 PC> 117 watts
 Camarillo: KOCP 95.9 NC to 4.2 kW, 390 ft, GE
 Esparto: KZAC 97.9 NW, regional Mexican
 Ferndale: KAJK 99.3 NC to 99.1, 6 kW, 1715 ft, GE
 Glendale: KSCA 101.9 PG> 4.8 kW
 Gonzales: KMBY 104.3 PG< 3.3 kW, 453 ft.
 XG: 36-40-20 / 121-31-28
 Green Acres: KRAB106.1 QC from 106.3, now class B1
 25 kW, 328 ft, XC: 35-21-33 / 118-43-45
 Livingston: NS 89.1 AF
 Merced: KFIE 106.3 RA with adult contemporary (&)
 Merced: KZFT 107.7 reported SI
 Mtn Pass: KHYZ 99.5 PG< 8.4 kW, 1807 ft.
 Oakhurst: KAAT 103.1 OSA for class B1, 25 kW, 125 ft
 XG: 37-28-24 / 119-37-56
 Paradise: KZAP 96.7 FC to classic rock (Chico)
 Patterson: KZMS 97.1 NW, regional Mexican (Modesto)
 Red Bluff: NS 90.7 AF
 Redding: NS 91.1 AF
 Riverside: KVAR 97.5 XC: 34-14-04 / 117-06-24 (1827')
 Rosamond: KLKX 93.5 adds ABC classic rock (&)
 Sacramento: KEDR 88.3 NO-RE
 San Diego: KCBO 105.3 FC to classic hits/hot AC mix
 with many "artist sets" - 2 or 3 in a row by the same artist

Kentucky:

Munfordville: WMCC102.3 CC (ex WLOC), RA with country
Paducah: WGCF 89.3 NW, religion
Pineville: WRIL 106.3 PC> 1050w, 768 feet
Prestonburg: WKKZ 105.5 FC to rock // WXLK
Stanford: WRSL 96.3 adds Jones CD Country (&)
Virgie: WZLK 107.5 PCs- 1120 watts
Whitley City: *NS 88.3 AF

LOUISIANA:

Alexandria: KAPM 91.7 CC (NS)
Folsom: WYLK 104.9 NO-GE (3rd), OSA for 104.7 class A
6 kW, 328 ft, 30-39-55 / 90-04-47, CC (ex KGZC)
Lacombe: WYLA 94.7 CC (ex KPXF)
Ruston: KAPI 88.3 CC (NS)
St. Martinsville: *NS 89.9 AF (Amer. Family Assoc.)
Sulphur: KKGB 100.9 QG to 101.3 C3, 25 kW, 289 ft.
Vivian: KNCB 105.3 NO-RE

MAINE:

Pittsfield: WPBC 99.5 FC to cont. Christian // KAWZ
Twin Falls, Idaho
Rockland: WMCM103.3 PC> 20.6 kW, 771ft,
XC: 44-07-35 / 69-08-18
Winslow: *NS 95.3 AF

MARYLAND:

Pocomoke C: WKHW106.5 CC (ex WKHI)

MASSACHUSETTS:

Boston: WBOS 96.9 NC to 22.5 kW, RE
Marshfield: WATD 95.9 NC to 1460w, 469', RX

MICHIGAN:

Charlotte: WMMQ 92.7 adds SMN classic rock (&)
Detroit: WVMV 98.7 CC (ex WLLZ), "V 98.7"
Detroit: twolowpower Spanish stations noted, presumably
pirates, on 94.3 and 101.9
Manistee: WVXM 97.7 PC> 6 kW, 328ft,
XC: 44-12-40 / 86-17-53
Newberry: WIHC 97.9 inc to 492', XC: 46-26-58 / 85-06-04
Owosso: WAHV 103.9 CC (ex WMZX), PC< 2860w, 482 ft
XC: 42-59-44 / 83-59-33
Stephenson: WFON 106.3 NO-RE

MINNESOTA:

Nashauk: *NS 102.9 AF
Pipestone: KISD 98.7 NC to 1017 ft, RE
Redwood Fls: KLGR97.7 NC to 60 kW, RE
St. Joseph: KKJM 92.9 NO-RE
Two Harbors: WRSR104.3 inc. 397', XC: 46-56-28 / 91-58-58
Willmar: KBHZ 91.9 NO-RE

MISSISSIPPI:

Artesia: WSGS 99.9 CC (ex WQNN)
Cantreville: WPAE 89.7 CC (NS)
Clarksdale: WKDJ 96.5 no XC, RE
Clarksdale: WWUN101.7 NC to 101.5, 25 kW, 328 ft, RE
DeKalb: *** 105.7 GA: add class C2
Forest: WMBU 89.1 NO-GX (3rd)
Greenwood: WGRM93.9 PG> 25 kW, class C3
XC: 35-35-25 / 90-18-55
Grenada: WQXB100.1 FC to country in March
NC to 21.8 kW, 741 ft, RE
Hattiesburg: WXR104.5 inc. to 479 ft, non-directional
McLain: WXAB 96.9 NO-GE (3rd)
XC: 31-06-57 / 88-45-58
Marion: WZRW 95.1 CC (ex WZMP), FC to classic rock
Ocean Sps: WXOR 92.5 FC to SMN Real Country (&)
Olive Branch: WRXQ95.7 XC: 35-04-25 / 89-51-27
Pickens: WYJS 105.9 RA with cont. Christian (&)
QC from 106.3, new CL (was Lexington, MS)
Starkville: WMSU 92.1 FC to urban (w/Banks & Joyner)
Tupelo: WAFR 88.3 PC> 60 kW, class C1

MISSOURI:

Branson: *NS 89.7 250w(h), 22 kW (v), 426 ft.
Brookfield: KZBK 96.9 QC from 97.7, class C2, PC> 50 kW
492 ft, XC: 39-54-32 / 93-04-34
Buffalo: KBFL 99.9 FC to Jones oldies (&)
Jefferson C: KJLU 88.9 QC- 29.7 kW, 602 ft.
Malden: KMAL 92.9 NC from 92.7, now C3,
23.5 kW, 174 ft.
Marshfield: *NS 91.9 AF (New Life Evang. Center)
Marysville: KNUM 97.1 adds ABC oldies (&)
St. Louis: KIHT 96.3 NC to 80 kW, 1027 ft. RE
St. Louis: KSLH 91.5 NC to 85 kW, 1027 ft, GE (11th)
Springfield: KWFC 89.1 PG< 78.7 kW, 1082 ft
XC: 37-12-06 / 92-56-33
Trenton: KTTN 92.3 PC> 18.5 kW

MONTANA:

Big Sky: *** 104.5 GA for class A
Butte: KAPC 91.3 CC (NS)
Columbia Falls: KCWX95.9 NO-RE
Ennis: *NS 99.7 AF
Great Falls: KGFC 88.9 CC (NS)
Livingston: KPXK 97.5 NC to 790 ft, RE

NEVADA:

Las Vegas: KOMP 92.3 NC to 23 kW, 3844 ft, RE

NEW JERSEY:

Belvidere: WRNJ 107.1 PC< 1.2 kW, 718 ft.
Cape May: *NS 89.1 AF (Mercer Co. Comm. Coll)
Manahawkin: WNUM89.9 CC (NS)
Newark: WNWK105.9 NC to 810w, 1222 ft, RE
Ocean City: WTKU 98.3 CC (ex WKTU)
Trenton: WNJT 88.1 PC> 110w(v), 689 ft.
Tuckerton: WTUC 99.7 NO-RE

NEW MEXICO:

Alamogordo: KIID 103.9 NO-RX
Española: KYBR 92.9 CC (ex KPZA)
Gallup: KFMQ 106.1 CC (ex KJJI)
Grants: KAIU 92.7 NO-RE
Hobbs: KIXN 102.9 NW, country
Lovington: KLEA 101.7 NC to 25 kW, 289 ft, RE
Santa Rosa: KSSR 95.9 CC (NS)
Taos: KAPF 90.9 CC (NS)

NEW YORK:

Canandaigua: WMHX102.3 CC (ex WLKA)
Chenango Br: WJLW104.1 CC (ex WANG)
Clifton Park: WXXO 96.7 CC (ex WWCP)
Conklin: WMTT100.5 FC to CD Country (&) (Binghamton)
Egg Harbor Twp: *NS90.5 100w(h), 3.5 kW (v), 298 ft.
Ellenville: WTHN 99.3 CC (ex WWWW), FC to WW1
Hot Country (&) (Middletown)
Geneva: WFLK 101.7 PC< 1920w, 400'
XC: 42-48-22 / 76-50-47
Glens Falls: *NS 90.9 AF (Sound Of Life, Inc.)
Hoosick Falls: WNGN97.5 PC> 880w, 702 ft.
Jamestown: WHUG101.7 adds After Midnight
Jeffersonville: *NS 102.1 AF
Jewett: WQMR 97.9 NO-CX-DE
New York: WKTU103.5 FC to dance/top 40 "KTU"
CC (ex WYNY)
Oswego: WTKV 105.5 CC (ex WGES)
Plattsburgh: WCFE 91.9 NC to 89.7, 190 w, RE
S. Bristol: WNVE 95.1 PG> 12 kW
Syracuse: WXCD105.9 PG> 1250 watts, 200 ft,
XC: 43-03-30 / 76-10-00, CC (NS)
Vestal: WMXW103.3 PG< 92 watts, 1014', class A
Warrensburg: WKBE100.3 FC to AC // WKLI 100.9 Albany
Westport: WADQ102.5 LC

NORTH CAROLINA:

Asheboro: WWMO89.5 CC (ex WPER)
Harkers Isl: WLGP100.3 CC (ex WAED)
New Bern: WIKS 101.9 adds ABC's Tom Joyner show
Wadesboro: WYFQ 93.5 CC (ex WRPL)
Washington: WERO93.3 CC (ex WDLX) "Arrow"
Wilmington: *NS 89.7 AF (Moody Bible Inst.)

NORTH DAKOTA:

Bismarck: KYYY 92.9 remains hot AC, not CHR
Bismarck: *NS 98.7 100 kW, 984 ft.
Dickinson: KCAD 99.1 NO-RE, CC (ex KRDR)
Fargo: WDAY 93.7 FC to CHR
Minot: KMXA 99.9 CC (ex KBQQ), FC to hot AC

OHIO:

Columbus: WUFM 88.7 CC (NS)
Dayton: *NS 98.1 AF (Univ. of Dayton)
Thompson: WAIL 89.1 CC (NS)
Troy: WTRJ 96.9 reported SI (expected back soon)

OKLAHOMA:

Durant: KSSU 91.9 CC (ex KHIB)
Lawton: KZCD 94.3 NC to 94.1, 14 kW, 594', RE
Pawhuska: *NS 103.9 3 kW, 328 ft.
Poteau: KOMS107.3 FC to country & AC
Poteau: *NS 91.7 AF (Amer. Family Assoc.)
Roland: KREU 92.3 NW, 70's soldiers "Star 92" (Ft. Smith)
CC (ex: KYUC)

OREGON:

Bandon: KBDN 96.5 PG< 1.5 kW, 1296 ft
XC: 42-57-27 / 124-16-13
Banks: KDBX 107.5 PA: to class C1 from C2
Grants Pass: KAPK91.1 CC (NS)
Klamath Falls: KSKF90.9 PC> 6.5 kW (h), 2 kW (v)
LaGrande: KWRL100.1 QG to 99.9, 60 kW, 377 ft
XC: 45-12-59 / 118-00-00
Milton-Freewater: KLYK 97.9 FC to Jones CD Country (&)
Phoenix: KAKT 105.1 CC (ex KROG), "The Cat"
Portland: KUPL 98.5 adds After Midnight
Redmond: KLRR 107.5 PA: to 101.7 class C2
The Dalles: *** 101.5 PA to add class C3
Tri-City: KKMV 104.3 adds ABC's a/c (&) (Roseburg)

PENNSYLVANIA:

Galeton: WAIU 100.7 NO-GE, PG, 7.7 kW, 492 ft, non-dir
Honesdale: WDNH 95.3 PC> 3.7 kW
Lancaster: WJTL 90.3 NC to 11.8 kW, 495 ft, GE
Lincoln U: WLIU 88.7 SI (tech. problems, hopes to
return to the air by September 96)
Sellersville: WBVO 88.9 adds Jones cont. Christian (&)
Sharpsville: WRKU 95.9 drops the Don Imus show
Starview: WEGK 92.7 CC (ex WHTF), FC to classic rock
SG "Eagle" (York/Harrisburg)
Tunkhannock: WEMR 107.7 FC to rock (Scranton)
Williamsport: WPGY 107.9 FC to WW1 soft AC (&)
York: WQXA105.7 adds Howard Stern

RHODE ISLAND:

Block Island: WERI 99.3 CC (ex WBLQ)

SOUTH CAROLINA:

Batesburg: WKWQ 93.1 FC to black gospel (Columbia)
Blackville: WIIZ 97.9 NW, urban
Darlington: WDAK105.5 PC> 17 kW, 400 ft.
Easley: WXWX103.9 FC to SMN oldies (&)
Greer: WXWZ103.3 FC to oldies (&) // WXWX 103.9
Ladson: WRLQ106.3 NO-RE
Lexington: WLXC 98.5 FC to beach & blues music
Marion: WMSY100.5 adds WW1 Soft AC (&) (Florence)
Mt. Pleasant: WJUK104.5 FC to classic hits, adds Bob & Tom
Orangeburg: WKSO103.9 RA with black gospel // WKWQ
Walterboro: WPAL 100.9 GA: to CL: Ridgeville, SC, class C3

SOUTH DAKOTA:

Custer: KACP 105.1 NO-GE, OSA to class C2, 65 kW
1197', XC: 43-44-45 / 103-28-46
Hot Springs: KZMX 96.7 NC to 51 kW, 551 ft., RE
Lowry: KKFX 100.7 NO-RE
Madison: KJAM 103.1 PC> 33 kW, 305 ft.
Pierre: KLXS 95.3 PC> 49 kW, 502 ft, class C2
XC: 44-18-42 / 100-21-10

TENNESSEE:

Arlington: KEWS 94.9 CC (ex KSNM), FC to news,
featuring CNN, Bloomberg, and AP
Benton: WBIN 93.1 NO-RE
Cookeville: *NS 91.7 500w, 384 ft.
Dickson: WQZQ102.5 adds Bob & Tom show
Lebanon: WERW107.5 FC to hot AC, "The River"
CC (ex WYHY)
Minor Hill: WEUP 92.1 NC to 2 kW, 479 ft, CX, PG->
2.6 kW, XC: 35-07-18 / 87-11-17
Shelbyville: WMMU102.9 CC (ex WWKO) "Moo 102"
Soddy-Daisy: WFXS102.3 FC to talk/classic rock (talk in am
drive, sports/talk in pm drive) (Chattanooga)
Waverly: WVRY105.1 noted in mono recently

TEXAS:

Abilene: KFXJ 92.5 NO-RX
Abilene: KORQ100.7 FC to adult contemporary
Austin: KKMJ 95.5 PG on aux. system to 30 kW 505'
Beeville: KTKO 104.9 NC to 105.7, 25 kW, 328', GE (3rd)
Commerce: KEMM 92.1 QG to 103.3 C3, 25 kW
Dimmitt: KNNK 100.5 CC (ex KLVK)
Farmersville: *** 99.9 PA to add class C3
Glen Rose: KCLE 92.1 FC to ranchero music
Granbury: KMRT 106.7 FC to Spanish romance // AM
Huntington: KYBI 101.9 CC (ex KAKU) RA with WW1
70's oldies (&) (Lufkin market), PG> 24.5 kW, 666 ft.
class C2, XC: 31-22-08 / 94-38-45
Ingleside: KAHX 107.3 NO-GE (2nd)
Jasper: KNKE 107.3 NO-RE
Mason: KOAX 97.9 NO-CX-DE
New Ulm: *NS 92.3 6 kW, 328 ft.
Odem: KKHQ 98.3 PC> 45 kW, 308 ft, class C2
Odessa: KADM107.9 NO-RE
Refugio: KZTX 106.3 QG to 106.1 C3, 25 kW
Uvalde: *NS 93.7 AF

UTAH:

Logan: KBLQ 92.9 NC to 70 kW, 259 ft, RX
Orem: KENZ 107.5 CC (ex KMXB), "The End"
Richfield: KWVZ 93.7 NC to 41720w, 2883', GE (7th)
St. George: KYVS 95.9 NO-RE

VERMONT:

Brandon: WADT101.9 NO-GX (2nd)
Danville: WSHX 95.7 NO-GX (8th)
E. Berkshire: *NS 88.7 AF
Hartford: WGLV104.3 OSA for class C3, PG> 5.6 kW,
495 ft, XC: 45-07-19 / 87-51-07
Marlboro: WSSH101.5 CC (ex WAIG)

VIRGINIA:

Bedford: WLQE106.9 CC (ex WYMY), "Lake"
Bristol: *NS 90.7 AF (Virginia Tech Foundation)
Coeburn: WZQK 99.7 PG< 540 w, 1535 ft, DA
Colonial Hts: WKHK95.3 NC to 17.5 kW, 394 ft, GE
Crozet: WVAO102.3 CC (ex WCYK)
Culpepper: WPER 89.9 NO-GE (2nd), PG> 25 kW, 587 ft
CC (ex WPVB)
Exmore: WKHI 107.5 FC to Jones AC in March, no longer
//WKHI 106.5 Pocomoke City, Maryland, CC (ex WKRE)
Farmville: WFLO 95.7 adds SMN AC (&)
Lynchburg: *NS 91.7 AF
Marion: WZVA 103.5 NO-RX
Martinsville: WROV 96.3 adds John Boy & Billy show

FM NEWS

Virginia:

Rocky Mount: WZBB99.9 OSA for class C3, 3.6 kW, CL: Stanleytown, VA
 Staunton: WSVO 93.1 CC (ex WBGT)
 Staunton: WCYK 99.7 CC (ex WVAO)
 Waynesboro: WPVA90.1 NO-RE

WASHINGTON:

Castle Rock: KROT107.1 CC (ex KAZL)
 Dishman: KSPO 106.5 CC (ex KWQL), FC to religion
 Elma: *NS 102.1 6 kW, 328 ft.
 Ephrata: KULE 95.9 NC to 92.3-C3, 20 kW, RE
 Kennewick: KBLD 91.7 NO-RX
 Othello: KZLN 97.5 reported SI
 Spokane: KEZE 96.9 CC (ex KSPO), FC to classic rock
 Wenatchee: KAIR 89.9 CC (NS)

WEST VIRGINIA:

Webster Sps: WAFD100.3 NO-RE

WISCONSIN:

Barron: *** 99.1 PA to add class A
 Chetek: WVXD106.7 NO-RE
 Eau Claire: WVCF 90.5 CC (NS)
 Kaukauna: WKAU103.1 NO-RE
 Kewaunee: WAUN 92.7 CX CP for 6 kW, 315 ft.
 Madison: WERN 88.7 PC<20420w, 1264 ft, DA
 XC: 43-03-21/89-32-06
 Menomonie: WHWC88.3 NC to 100 kW, RX
 Milwaukee: WQFM 93.3 FC to smooth jazz
 Peshigo: WJMR 96.1 NO-GE (4th), QG to 96.3, class C3
 PG>49430w, 798'; XG: 45-07-19/87-51-07
 Portage: WUSX 95.9 NO-RX
 Ripon: WRPN 90.1 reported SI
 Wausau: WLBL 91.9 NW, news/talk/variety
 (see Doug Smith's report in March's FM NEWS)
 Wautoma: WAEI 93.1 NO-CX-DE
 Winneconne: WVBO103.9 PC>25 kW, DA,
 CL change from Oshkosh, WI
 Wisconsin Rapids: WGLX 103.3 PG>100 kW

WYOMING:

Casper: KASS 106.9 XG: 42-44-37/106-18-31
 (dec to 1765 ft)
 Kemmerer: KAOX 107.3 CC (NS)
 Laramie: KKNQ 104.5 NO-RX
 Newcastle: *NS 99.3 6 kW, 328 ft.

APRIL 1996

U.S. TERRITORIES:

MARITIME PROVINCES:

Saipan: KRNM 88.1 CC (NS)

PUERTO RICO:

Aguada: WNNV105.5 NC to 1036 ft, new XC, GX
 Culebro: WJVP 89.3 CC (NS)
 San German: WZGX91.7 NO-RE

VIRGIN ISLANDS:

Charlotte Amalie: *NS93.1 AF
 Cruz Bay: WWKS 92.3 CC (ex WDKM)
 St. Thomas: WIUJ 102.9 PG>1.5 kW, 1427 ft,
 class A, CL: Charlotte Amalie, VI



CANADA

NOVA SCOTIA:

Amherst: *NS ?? low power English FM granted
 Lamhque: CB?? ?? mono FM granted for CBC

ONTARIO:

Kingston: *NS 91.9 8 watts, English community stn
 Niagara Falls: *NS 91.9 8 watt tourist station wanted (??
 They have had CFLZ on the air for several years now.
 Perhaps this is an application for a renewal?)
 Ottawa: *NS 99.1 24.9 kW cont. Christian appl.
 Sandy Lake: *NS 89.9 10 watts appl. for native/English
 Sault Ste Marie: CBON18 88.1 wants 3.59 kW, higher tower
 Thunder Bay: CJLB105.3 XG and hgt. inc., now class C

QUÉBEC:

Lac au Saumon: CB***? mono-CBC station granted here
 no other info, such as freq, power or language
 Ste-Jerome: *NS 103.9 767 w, appl. for French station
 Ste-Jovite: *NS 96.3 3.2 kW, appl. for French station
 Ste-Foy: *NS 97.1 50w appl for French college stn.
 Val d'Or: CHOA196.5 req. to delete and replace with
 a locally programmed station was DENIED

Thanks to all who have sent information recently, and a special thanks to Doug Smith for the hard to find Canadian information appearing this month!

QSL CORNER and LOGOS RUN

QSL'ing, What is it?

Thomas J. Yingling, Jr.
 221 Pinewood Road
 Baltimore, MD
 21222-2345
 410-282-4649

This is to be a special edition of the QSL Corner/Logos Run column...as there maybe a need now for a refreshing of an old ideal that may have changed a lot since the early beginnings of radio broadcasting. Since I have been in the radio hobby since the late 60's I have seen the practice of QSL'ing changed. Lets begin at WHAT, WHY, HOW & SO FORTH.

What? The WHAT question is an explanation of what is a QSL? A QSL is a reply from the station that you heard (or saw, as in television) as a verification of your reception. The reply can be as a postcard, or letter with a statement of verification of your reception. The 'QSL' term is from the early Morse code days to stand for a verification of the context of what the other station did send was correctly received. So, the term QSL'ing got to stand for the correct reception. The 'Q' part of the QSL is from a list of Q-signals that were abbreviations. In Morse code sending, when you were keying the message, the longer the words were, the more you had to send. So, by using the Q-Signals, you could shorten the message, and you could still get the point. Now, in QSL'ing your reception, there can be no doubt your reception was the station you heard or saw.

TV News

Doug Smith
 1385 Old Clarksville
 Pleasant View, TN
 37146-8098



Abbreviations used in this column:

ERP= Effective Radiated Power in kW

HAAT=Height Above Avg. Terrain
 nc= no change

TL= Tower Location

CP= Construction Permit

Pr= Province (of Canada)

*= Non-commercial

CRTC= Canadian Radio-Television Commission

DBS= Direct Broadcast Sat.

SS:= Spanish language

LPRT=Low Power Relay Transmitter (Canada)

TBD= To Be Determined

APPLICATIONS FOR NEW STATIONS

St	Ch	ERP	HAAT	City
ID	5	10	261	Sun Valley
(Falls Broadcasting Co.; TL 7km SE of Sun Valley, 43°39'59"N / 114°16'37"W)				
LA	21	1450	124	Minden
(NW TV Inc.; TL 32°36'58"N / 93°20'42"W, near Minden proper)				
NC	38	1450	152	Greenville
(NW TV Inc.; TL 35°23'52"N / 77°25'40"W, 8km NW of Grifton)				
ON	11	325	?	Cornwall
(to relay CIII-6 Paris)				
ON	?	?	?	Kingston
ON	?	?	?	London
ON	?	?	?	Muskoka Dist.
ON	?	?	?	North Bay
ON	11	25	?	Ottawa
(to relay CHCH-11 Hamilton)				
ON	43	231	?	Ottawa
(to relay CHRO-5 Pembroke)				
ON	65	600	?	Ottawa
ON	65	1000	?	Ottawa
(to relay CITY-57 Toronto)				
ON	47	253	?	Pembroke
(to relay CJOH-6 Ottawa)				
ON	?	?	?	Peterborough
ON	?	?	?	Sault Ste. Marie
ON	?	?	?	Sudbury
ON	?	?	?	Thunder Bay
ON	?	?	?	Timmins
TN	48	1000	157	Tazewell
(Tri-States Media; TL 728 Essary Rd., 36°27'37"N / 83°35'12"W)				

CONSTRUCTION PERMITS GRANTED FOR NEW STATIONS

St	Ch	ERP	HAAT	City
MI	5	100	295	Calumet
(TL: 47°02'12"N/88°41'42"W 2km SW of Painesdale, 600m NW of M-26, 28km SW of Calumet)				

APPLICATIONS TO CHANGE EXISTING STATIONS

St	Ch	ERP	HAAT	Call	City
BC	13	0.3	nc	CBCB2	Ft. Fraser
(was ch. 6, 40 watts)					
FL	27	2700	518	WTXL	Tallahassee
(TL: 30°40'06"N/83°58'06"W rural Jefferson Co., northeast of Miccosukee, about 10km N and 20km E of current site. Was 1170kW/262m.)					
MI	41	5000	nc	WOTV	Battle Ck.
(was 2000kW)					
MI	45	155	324	WGKU	Vanderbilt
(was 70.8kW)					
ND	19	40.5	nc	KJRE	Ellendale
(was 405kW.)					
NV	4	100	133	KRNV	Reno
(was 17.4kW/128m)					
NY	29	3056	329	WUTV	Buffalo
(TL: 43°01'32"N/78°55'43"W same property as existing tower, but a few hundred feet NW of it. Was 1260kW/280m.)					
OH	67	5000	149	WOAC	Canton
(TL: 41°06'33"N/81°20'10"W, near Mogadore Reservoir east of Akron. Was 1410kW/88m.)					
OK	25	3250	nc	KOKH	Oklahoma City
(was 1410kW)					
ON	25	616	nc	CBFT	Toronto
(was 1760kW)					
PA	19	3020	325	WBPA	Johnstown
(TL: AT&T site, US-30, Boswell, 40°13'51"N/79°09'46"W, about 1.5km N of old site. Was 1660kW/363m.)					
PA	53	1320	244	WILF	Williamsport
(was 12.2kW/222m.)					
SC	36	439.5	nc	WBNU	Charleston
(no change in TL. Was 147kW. Note call change from WCTP.)					
SC	63	17.4	136	WQHB	Sumter
(was 12.9kW/165m)					
TX	39	5000	nc	KXTX	Dallas
(was 4470kW)					
WA	22	5000	581	KSKN	Spokane
(Was 230kW. Station is currently dark.)					
WI	26	5000	356	WGBA	Green Bay
(Was 2510kW/360m.)					



APPLICATIONS TO CHANGE CONSTRUCTION PERMITS

St Ch ERP HAAT Call City
MN 20 2400 nc *KSMN Worthington
 (Was 1260kW. Note new callsign.)
TX 28 3995 177 KYLE Bryan
 (Was 5000kW/522m.)
VT 44 1460 840 WFFF Burlington
 (TL: 44°31'32"N/72°48'54"W
 Mt. Mansfield, 32km E of Burlington
 in Lamoille Co.. Was 1700kW/397m
 from Terry Mtn. in NY State.)
WI 52 5000 314 WRRS Mayville
 (TL: 43°16'25"N/88°23'57"W
 Erin Twp., Washington Co., near
 Slinger roughly 30km NW of Milwau-
 kee. Was 2510kW/233m.)

CHANGES GRANTED TO EXISTING STATIONS

St Ch ERP HAAT Call City
AK 13 316 238 KIMO Anchorage
 (TL: 61°25'22"N/149°52'20"W
 Mile 2.2, Pt. McKenzie Rd. which is
 about 20km W of Anchorage. Was
 38kW/27m.)

CHANGES GRANTED TO CONSTRUCTION PERMITS

St Ch ERP HAAT Call City
VT 44 1700 397 WFFF Burlington
 (TL: 44°34'30"N/73°40'29"W, Terry
 Mtn. adjacent to the WPTZ-5 tower
 in Clinton Co., NY. Note that WFFF
 has already applied to change this
 CP again.)

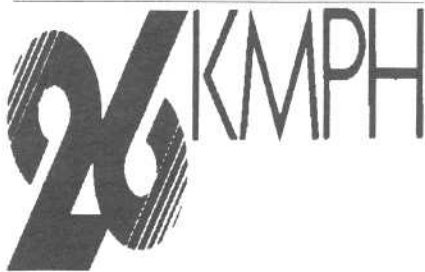
CALL LETTER CHANGES

Many of these changes are probably a few months old; they were obtained by downloading a fresh copy of the FCC DB from the Internet. My normal update sources don't include call letters. Because of the massive number of changes, I'm marking full-power stations in boldface.

Was	Now	City, state
K53FN	K53ZP	Anchorage
K25EW	KJMW-LP	Ketchikan, AK
K05KH	KSCT-LP	Sitka, AK
W28AP	WTZT-LP	Athens, AL
W43BE	WMJN-LP	Decatur, AL
K34EG	KNJE-LP	Eureka Sprs., AR
K32ED	KDFD-LP	Ft. Smith, AR
K46BZ	KPBI-LP	Ft. Smith, AR
K35CS	KLFI-LP	Texarkana
K22EI	KPSN-LP	Payson, AZ
K58DV	KPHZ-LP	Phoenix
K25EA	KTAZ-LP	Tucson

CALL LETTER CHANGES (contd.)

Was	Now	City, state
K66CY	KSSY-LP	Arroyo Grande, CA
K58DJ	KMPH-LP	Bakersfield
KBAV-23	KBSV-23*	Ceres, CA
KLXO-7	KVYE-7	El Centro, CA
K59AC	KMST-LP	Gonzales, CA
K04NT	KVER-LP	Indio, CA
K38DL	KNET-LP	Los Angeles
K25EL	KBTU-LP	Sacramento
K57CD	KTCD-LP	San Diego
K49BV	KHAX-LP	Vista, CA
K27DU	KCEC-LP	Pueblo, CO
W13BF	WRDM-LP	Hartford, CT
W64BW	WZGS-LP	Washington, DC
W55BO	WHDT-LP	Boca Raton, FL
W14BK	WSVT-LP	Bradenton, FL
W07BR	WEVU-LP	Ft. Myers, FL
W10BR	WLUF-LP	Gainesville, FL
W31AT	WBXG-LP	Gainesville, FL
W10AX	WBXJ-LP	Jacksonville, FL
W38AJ	WWRJ-LP	Jacksonville, FL
W40AQ	WTMO-LP	Kissimmee, FL
W20BE	W27BS	Miami
W63BH	WVEN-LP	Orlando
W06BE	WTAM-LP	Tampa
W20AV	WARP-LP	Tampa
W35BD	WBKL-LP	Albany, GA
K24CF	KUKO-LP	Haleakala, HI
new-38	KAIE*	Honolulu
K59EI	KUPA-LP	Maui, HI
new-59	WAOE-59	Peoria
W63BT	WTSN-LP	Evansville, IN
W27AR	WALV-LP	Indianapolis
W31AL	WKOG-LP	Indianapolis
W27BG	WJTS-LP	Jasper, IN
W48BG	WKGK-LP	Kokomo, IN
W25BN	WSOT-LP	Marion, IN
W15AY	WREP-LP	Martinsville, IN
W58BT	WBND-LP	South Bend, IN
K29DH	KSAS-LP	Dodge City, KS
K31EH	KAAS-LP	Garden City, KS
K51DN	KSMI-LP	Wichita
K55FS	KCTU-LP	Wichita
W04AX	WAPM-LP	Whitesburg, KY
K21DQ	KANC-LP	Baton Rouge, LA
K21DM	KLFT-LP	Lafayette, LA
K22EP	KDCG-LP	Opelousas, LA
W33AV	WRAP-LP	Boston
W65BX	WDMR-LP	Springfield, MA
W61BT	WMJF-LP	Towson, MD
W33BD	WBGR-LP	Bangor, ME
W41AY	WFYW-LP	Fairfield, ME
W45AL	WLOB-LP	Portland, ME



CALL LETTER CHANGES (contd.)

Was	Now	City, state
W44AR	WDWO-LP	Detroit
W29BE	WOMS-LP	Muskegon, MI
W40AK	WMKG-LP	Muskegon, MI
K39CU	KCUT-LP	Fisher, MN
K50DK	KQEG-LP	La Crescent, MN
new-20	KSMN*	Worthington, MN
K19DJ	KNJD-LP	Branson, MO
KAIZ-32	KCWB-32	Kansas City
K56FD	KWBS-LP	Springfield, MO
W08CQ	WHCQ-LP	Jackson, MS
W08CU	WBXK-LP	Jackson, MS
W11BU	WEBU-LP	Webb, MS
K59EQ	KTMF-LP	Kalispell, MT
W13BW	WUBX-LP	Durham, NC
W56CX	WHFL-LP	Goldboro, NC
W53AO	WTBL-LP	Lenoir, NC
W20AT	WNVN-LP	Roanoke Rapids, NC
W10BZ	WSSN-LP	Wililmington, NC
K65FL	KOHA-LP	Omaha
new-10	KANL-10	Elko, NV
new-7	KANM-7	Winnemucca, NV
W51BV	WNYN-LP	Deer Park, NY
W08CJ	WNCE-LP	Glens Falls, NY
W53AA	WKOB-LP	New York
W57BP	WRNN-LP	Nyack, NY
W38AW	WAWW-LP	Rochester, NY
W11BS	WUPN-LP	Utica, NY
W05BZ	WBTL-LP	Cleveland
W64BG	WLWG-LP	Columbus, OH
W51CJ	WUCT-LP	Dayton
W67CA	WOHL-LP	Lima, OH
W50BE	WOHZ-LP	Mansfield, OH
K54DJ	KXOC-LP	Edmund, OK
K20DQ	KOKT-LP	Sulphur, OK
K39DU	KFXO-LP	Bend, OR
K49DH	KBSC-LP	Brookings, OR
K19AR	KMBA-LP	Ontario, OR
KEBN-32	KWBP-32	Salem, OR
W08DF	WWPS-LP	Hawley, PA
WTWB-19	WBPA-19	Johnstown, PA
WTWB-29	WBPA-LP	Pittsburgh
W27BT	WZQZ-LP	Quebradillas, PR
W23AS	WRIW-LP	Providence
W48AE	WLNE-LP	Providence
WCTP-36	WENU-36	Charleston, SC
W49BG	WCHD-LP	Charleston, SC
W68BZ	WPDE-LP	Myrtle Beach, SC
W51AU	WAPG-LP	Greenville, TN
W11BZ	WIIW-LP	Hendersonville, TN
W30AP	WAPK-LP	Kingsport, TN
W56CT	WVMP-LP	Kingsport, TN
W34BE	WEZK-LP	Knoxville
W11BF	WETV-LP	Murfreesboro, TN
K05IL	KJIB-LP	Clear L. C., TX
K48ET	KHPX-LP	Georgetown, TX
K56DP	KHMV-LP	Houston
K60EM	KATA-LP	Mesquite, TX
K64EK	KHPZ-LP	Round Rock, TX
K40CT	KHPM-LP	San Marcos, TX
K26DN	KUCL-LP	Salt Lake City, UT
W60AG	WAPW-LP	Abingdon, VA
W65CP	WITD-LP	Chesapeake, VA
new-42	WVPY-42	Front Royal, VA
W07CZ	WGBS-LP	Hampton, VA
W59CE	WTTD-LP	Hampton, VA
W66BZ	WBTB-LP	Suffolk, VA

CALL LETTER CHANGES (contd.)

Was	Now	City, state
W69CV	WKTD-LP	Suffolk, VA
W19BM	WVBN-LP	Virginia Beach
K64DH	KDHW-LP	Yakima, WA
K39DQ	KMAH-LP	Cheyenne, WY
K63EZ	KPAH-LP	Laramie, WY

The WTWB/WBPA on 29 in Pittsburgh is a LPTV. W05BZ is moving from Toledo, and will be channel 32 in Cleveland. The KHP- LPTVs in Texas are owned by KXAN-36; the WAP- stations in the Tri-Cities area of Virginia/Kentucky/Tennessee are UPN affiliates owned by WKPT-19; and the W-TD stations in Virginia belong to WAVY-10.

I strongly suspect KANL, KANM, KAIE, and WAOE are calls assigned automatically by the FCC. They'll probably be changed before any of these stations go on the air. (if they ever do go on the air!) I believe KBSV-23 is a correction to a FCC typo. W27BS reflects the station's move from channel 20 to 27.

NETWORK CHANGES

Station	Was	Now
KWBF-13	Flagstaff	WB CNI
KUBD-59	Denver	TMD CNI
WHAI-43	Bridgeport	VVN IN
WBSG-21	Brunswick	HSC NBC
WJKS-17	Jacksonville	NBC ?
WCCE-13	Mt Vernon IL	ind CNI
KWBS-56	Spfld. MO	new WB
WGOT-60	Merrimack NH	ind IN
WEJC-20	Lexington NC	rel WB
W23BA	W. Orange NJ	ind Box
WNYB-49	Buffalo	TBN WB
WTJA-26	Jamestown	off TBN
WNYX-39	Long I. City	ind Box
W17BM	New York	ind Box
WAKC-23	Akron	ABC IN
WTJC-26	Spfld. OH	ind CNI
new-43	Ottawa	new ind
CHRO-5	Pembroke ON	CTV ind
new-47	Pembroke ON	new CTV
W40AF	Dillsburg PA	? HSN
W28AW	Greensburg PA	? Box
W53HJ	Harrisburg	WTFX ind



NETWORK CHANGES (contd.)

Station	Was	Now
W65AV Harrisburg	?	WPHL-17
W63AV Pittsburgh	?	HSN
KTFH-49 Conroe TX	ind	IN
KLDT-55 L. Dallas	rel	shop/CNI
KBGE-33 Bellevue WA	dark	VVN
WHKE-55 Kenosha WI	rel	CNI
K05JJ Madison	dark	WB

VVN is ValueVision; IN is InfoMall, an all-infomercials channel. CNI is Christian Network Inc.

KWBS-56 is a LPTV. Many other LPTVs in the call-change list above have calls that suggest WB or UPN affiliations, but I have no solid information on those affiliations.

Some of these affiliation changes are probably old news, but they do confirm which of Paxson's two networks some of these stations are with. Thanks to Bill Nienajadly (via the Internet) for info on the three Box affiliates in New Jersey and New York.

NEW STATIONS ON THE AIR

Tulsa, OK: KWMJ-53Z:

5000kW/460m; 36°01'10"/95°39'24"
1780kW/182m; 36°02'34"/95°57'11"
not sure which is correct; the latter is an application not yet approved, but I doubt the station would build the larger facilities with a power-decrease application pending.

The first site is on the KTFO-41 tower near Oneta; the second is a few miles south of downtown Tulsa. Requested operating license on February 12.

CHANGES ON THE AIR

Ch Call	Location	VUD issue
41 WIIQ	Birmingham, AL	
49 WJJA	Racine, WI	

OTHER STUFF

Even without the massive call-change information, this would have been a busy month. The two new channel 5 stations (one approved, the other an application) will be major skip targets if completed. Contrary to popular opinion, low-band VHF is not yet full; four other cities have active applications on channels 2-6, and there are a handful of empty allocations.

Someone is trying again in Alberta. The CRTC has received an application for a new TV station in Calgary (with a relay station in Lethbridge) and in Edmonton. (with a relay in Red Deer) Applications are being solicited for other stations in these four cities. The announcement doesn't say, but I'd bet this is another attempt by Global to get into the Alberta market. They're currently represented in all provinces except Alberta and Prince Edward Island - the latter is, however, reached by transmitters in New Brunswick and Nova Scotia.

FORUM

Jerry Stuart, Lawton OK:

Jerry beat me to two of the call changes above. He noticed Locke Supply's former K54DJ now IDing as KKOC-LP. Jerry's local K21DC is still using that call. Also, channel 20 in Sulphur, OK has switched to KOKT-LP as noted in the Oklahoma City TV Guide. Surprising, as when they were K20DQ they ran "fake IDs" as KODQ. To the best of my knowledge, the calls KODQ are available.

There's also a mystery pending in Oklahoma; Jerry has again seen a mysterious signal on channel 28 with a screen simply saying "Stay Tuned". I forget the details of his first logging of this station, but he says it's to the north of Dallas. It's not K28AC Ardmore, as he sees them separately after their 6am signon. My best guess is K28DJ Broken Bow.

Finally, by working through their headquarters in Miami, Jerry succeeded in getting a verification out of "The Box", K22EM Norman. It took a PPC to do it, but the Box executive took the time to fill in the station's power. (a "PPC" is a prepared postcard - a self-addressed, stamped postcard with all verification information filled in. The station should be able to simply verify the information, sign the card, and drop it in the mail.)



Eric Bueneman, St. Louis MO:

Referring to "The TBN Surprise", Eric asks the hypothetical question, "What would happen if TBN has to sell its LPTVs?" Good question. I had been pretty sure this would remain a rhetorical question. Revocation of licenses is a rare and extreme penalty, almost never exacted by the FCC. Heck, licensees have been convicted of sexual assault of children & still allowed to voluntarily transfer their licenses to others.

But the TBN licenses are still in trouble. In the first review of WHFT-45's license, a FCC judge had recommended heavy fines. He was overruled by a review board, which affirmed the earlier recommendation of revocation of license.

The new Telecom Act would have made TBN's actions legal. But there are few things the FCC hates more than dishonesty. A station could run twice its licensed power for three years, and would retain its license as long as it admitted to the offense... Past dishonesty can still cost a license, even if the offense is no longer illegal.

In local news, new ABC affiliate KDNL-30's early newscast isn't going very far. Its 6pm news has been finishing in fifth place, behind news on KTVI-2, KMOV-4, and KSDK-5, and Seinfeld on KPLR-11.

Eric's local K62EG was off the air for three weeks in early February. The station was knocked off by high winds, but returned on Feb. 17. Another LPTV in his area, K64DT, has also returned to the air in February. K62EG carries EWTN Catholic television; K64DT is ValueVision home shopping.

There's also a mystery in St. Louis. Eric is seeing a signal on channel 7 relaying WCEE-13. It isn't KHQA-7 (which Eric saw with CBS parallel to KMOV) or K07SD Rolla. (while KOMU-8 owns this station, and mentions it in their signoff, Eric says they program independently.) I don't have any solid leads, but strongly suspect this is former Channel America affiliate K07TV back on the air.

Jeff Kitsko, Latrobe PA:

Jeff contributed the programming changes for W28AW, W65AV, W40AF, W63AV, W53HJ, and K05JJ. The latter appeared on WB's homepage on America Online as "KNFO-5". I've not yet been able to confirm this affiliation with contacts in my hometown in the Badger State but it's really all that would make sense.

Speaking of "KNFO", Jeff com-

ments "I am surprised that Milwaukee does not have a WB affiliate. I would figure WVTU-18 would have become one." Agreed. Especially since WVTU belongs to Gaylord, who had an agreement for WB affiliations for their KHTV-39 (before it sold to Tribune), KTVT-11, and KTVW-11. (before the channel 11 stations went CBS) Then again, WVTU is LMad to ABRY's WCGV-24; maybe ABRY has other plans...

While watching CNN coverage of a hostage crisis in Honolulu, Jeff noticed a title for "KHNL Newschannel 8". Last he (and I) saw, KHNL was channel 13. Jeff asks, "How could they have switched channels even though there wasn't a ch. 8 allocated to Honolulu?"

The answer is, they couldn't. I think it's reasonable to assume KHNL is still broadcasting on channel 13. However, they well may still be channel 8 on cable.

A growing number of stations are promoting their cable dial position, not their air position. Honolulu would be a particularly good place for this. The broadcast towers are relatively short & close to heavily populated areas. Carriage of Honolulu broadcast stations on their air channels would be asking for serious leakage problems. I think it's reasonable to assume the stations there are carried on channels (3, 6, 8, 10, 12) not used for broadcasts in the city, thus avoiding the interference problems.

DX ETC.

A bit. February 23 was a red-letter day here, with 11 states seen/heard. 12, if you count states of Mexico. Sadie Hawkins Day (February 29) brought a few hours of weak skip to channel 3; others reported skip on other days in February. That said, with the cold weather, DX has been scarce this winter. Here's hoping things heat up as you read this!

73 Doug

Doug Smith (W9WI/4)
1385 Old Clarksville Pike
Pleasant View, TN 37146-8098
Internet 72777.3143@compuserve.com



11 KHOU

EASTERN TV-DX

Stephen West
1077 Sandy Narrows Ct.
Virginia Beach, VA 23454
(804) 428-8057
Deadline: 5th

More late December skip reports this month. Check out the meteor scatter DX in Russ Millers report.
Many thanks to Bill Thompson for the incredible amount of work he has contributed over the years.
A new editor is needed for this column ASAP.
Here's hoping your antennas are intact and still operating during this brutal winter! A lot of snow on the ground has produced much of the same on the television screen.

Russell Miller P.O. Box 1736 Moulton Me. 04730-5736
EST Time underlined=Multiple times seen on this date

December 1995	January 1996	January cont.
26 Es 2226 WTVY-4 AL	1 Ms 0528 WDAY-4 WV	6 Ms 0607 WUNC-4 NC
2311 WESH-2 FL	0548 WTTV-2 IN	0630 WDIV-4 MI
27 Ms 0318 CHNX-8 DN	Indianapolis chart	0928 WTAE-4 PA
0506 WIVB-4 NY	0625 WUNC-4 NC	Es 1220 UNID-2
0531 CIII-4 ON	The usual timer chart	8 Ms 0238 WFMY-2 NC
0547 CICA-4 ON	0643 WYFF-4 SC	0240 CKCO-2 ON
CICA on sync bar?????	Grnyle Spart. Weather	0537 WDAY-4 WV
0600 UNID-4 ??	2 Ms 0307 CIII-4 ON	0600 WTAE-4 PA
Dennis Guest NBC?????	0535 WDAY-4 WV	9 Ms 0458 WCAU-10PA
0612 WUNC-4 NC	Heart of WV 3/4 CBs	0458 UNID-10 ?
0614 WTAE-4 PA	Es 1648 WBAY-2 WI	(10 ON YOUR SIDE)??
27 Es 2228 WCMH-4 OH	1653 CKCO-2 ON	0501 NBC-10
2254 WTTV-4 IN	1657 WTOM-4 MI	0611 WUNC-4 NC
2258 WSAZ-3 WV	1729 WBBM-2 IL	0614 CICA-4 ??
2306 WTVF-5 TN	1827 CHBX-2 ON	(CICA on sync bar)
2317 WCBD-2 SC	(MCTV-BBS)	0614 WHBF-4 IL
2318 WCIW-4 SC	3 Ms 0526 CFPL-10 ON	(3/4CBs+4 URHC)
2331 WCSG-5 SC	0539 CIII-4 ON	0627 WTAE-4 PA
28 Es 0018 WDAY-4 WV	0550 WIVB-4 NY	0631 WRC 4 DC
0026 WUNC-4 NC	(4 Logo)	10 Es 1102 CKPR-2 ON
28 Ms 0503 WDAY-4 WV	0556 WUNC-4 NC	1119 WBAY-2 WI
0510 CIII-4 ON	0630 WTOM-4 MI	1132 CHBX-2 ON
0558 WTTV-4 IN	0650 WTAE-4 PA	11 Es 0024 FOX-2
0612 UNID-4 ??	0655 WDIV-4 MI	0034 WCBD-2 SC
3/4 CBs+white 4 URHC?	0656 WTMJ-4 WI	0058 WUND-2 NC
0612 WUNC-4 NC	Es 1029 WSKJ-2 TN	0130 WCIA-3 IL
28 Es 1210 WTMJ-4 WI	1111 KTVI-2 MO	1119 WBBM-2 IL
1215 WHBF-4 IL	1240 UNID-4 SC	1119 WJBK-2 MI
1220 WBBM-2 IL	1259 WCBD-2 SC	1133 WCIA-3 IL
1238 WCIA-3 IL	Ms 1504 WTOM-4 MI	1159 KGAN-2 IA
1246 KTVI-2 MO	1612 WTAE-4 PA	12 Ms 0330 CFPL-100N
1257 WTWO-2 IN	1712 WDIV-4 MI	0820 WTAE-4 PA
1305 UNID-4 ??	1713 WTMJ-4 PA	13 Ms 0511 CFPL-100N
(CBN News)	1722 WTKR-3 VA	0549 WDAY-4 WV
1312 WAVE-3 KY	(Woodstock off air)	14 Ms 0340 CFPL-100N
1332 WDTN-2 OH	1804 WUNC-4 NC	15 Ms 0227 CIII-2 ON
1438 WKRN-2 TN	4 Ms 0213 UNID-10	0332 CKCO-2 ON
1656 WTWO-2 IN	(News 10 Weather)	0430 UNID-10
1728 WBBM-2 IL	0316 CFPL-10 ON	(3/4CBs+Calls)
1740 WCBD-2 SC	0532 WBNS-10 OH	0508 CFPL-100N
1804 WCIW-4 SC	(See Comments)	16 Ms 0524 CFPL-100N
1814 WSAV-3 GA	0533 WIVB-4 NY	17 Ms 0553 WDAY-4 WV
1828 WUNC-4 NC	0537 WDAY-4 WV	0559 WUNC-4 NC
29 Es 0107 WKRN-2 TN	0605 CKRN-4 GU	19 Ms 0553 CIII-4 ON
0109 WSMV-4 TN	0614 WUNC-4 NC	0657 WIVB???
Ms 0402 CIII-4 ON	0639 CICO-A? ??	(Alarm clock LLHC)?
Es 1130 UNID-2 ON	(On Sync Bar)	20 Es?0840 WESH-2 FL
(Global)	1702 WDIV-4 MI	(Brief)
1159 WBAY-2 WI	1721 WTAE-4 PA	21 Ms 0344 WTHR-13IN
1222 CHBX-2 ON	5 Ms 0517 CFPL-10 ON	(3/4CBs+Calls+India
1230 CBC-2 ON	0544 CIII-4 ON	napolis+(IND?)Hard
January 1996	0547 WDAY-4 WV	to read.Finally 13!
1 Ms 0353 CIII-2 ON	0550 UNID-4 ??	0558 WUNC-4 NC
0354 UNID-2 ??	(3/4CBs+timer LR?)	0558 WTOM-4 MI
(ANC)	0612 WUNC-4 NC	0600 CIII-4 ON
0512 WCMH-4 OH	0643 CKRN-4 GU	Carwest Cht as Us.
(American Lung Assoc.OH)6	Es 0020 PBS-2	1240 WTAE-4 PA

Eastern TV-DX

March 1996

Russell Miller (cont.)

January 1996 Cont.

22 Ms 0220 ?CHBX?-2ON	23 Ms NB-6 Off Air!	27 Ms 0547 CKCO-2 ON
(Blank screen-vertic	0827 WECT 6 NC	0555 WCBN-2 NY
lines LHS.Also seen	0830 WPVI 6 PA	(Bearing W-WNW)!!!
on Ch-4 (CHNB?)	(6 Logo-Es Maps)	0557 WGBH-2 MA
0333 CKCO-2 ON	0830 WTVR 6 VA	(Bearing W-WNW)!!!
0436 CFPL-10 ON	(Show.K95 FM)	(Less than 300 Mi.)
0554 WDAY-4 WV	25 Ms 0708 WBAY-2 WI	0646 CHBX-2 ON
0556 WTTV-4 IN	0714 KGAN-2 IA	(MCTV)
(3/4CBs Indianapo.)	0718 FOX-2 News	0651 WBAY-2 WI
0550 CIII-4 ON	(Michael Collins)	(3/4CBs+Logo-LLHC)
0603 WDIV-4 MI	26 Ms 0553 WDAY-4 WV	0657 WBAY-2 WI
(Logo LRHC)	0600 WUNC-4 NC	(3/4CBs No ID Foll
0607 WUNC-4 NC	0605 UNID-4 SC	owed by 2 Logo+Cis
0620 WHBF-4 IL	(Carolina News Chan)	+GB+Fox Cities+Cov
(3/4CBs 4 URHC)	0606 CIII-4 ON	You Can Count On!
0634 WTAE-4 PA	0737 WJBK-2 MI	
(BOB MAYO+4 Logo)	0737 WBAY-2 WI	
0640 WIVB?4 NY	1155 WTOM-4 MI	
(Alarm Clock LLHC)?	27 Ms 0547 CIII-2 ON	

COMMENTS: I have so much to say about Meteor scatter DXing I could fill a VU digest! I'll keep it short. In the future I will try to eliminate the repetition. Maybe I'll just list active dates and new logs. First, the WBNS-10 was the most impressive thing I've witnessed thus far! It was a 45 sec burst on CH-10 with WBNS in STRONG for 20 sec. with calls showing. Unfortunately, the photo doesn't have enough contrast to make Photo News as I was informed by Jeff Kruszka. 5 days later I witnessed a 56 sec burst on 10 again and came close to get-3 ID's out of it! Also, I discovered something...that is, all my STRONG high band ID's have been from Circular polarized transmitters! This is less pronounced on low band but still quite obvious. I can't believe I'm the first to notice this?

TOM BRYANT - 849 TODD PREIS DRIVE - NASHVILLE, TN 37221 - 615-646-2000 - (CDT)

EQUIPMENT: VHF - Winegard CS-4054 @ 20'; UHF - Antennacraft P-5 parabolic w/Antennacraft preamp @ 25'; FM/ch 6 audio - Channel Master 'Sterero Probe 9' @ 35' (Yamaha TX-930 tuner); RG-6 co-ax and Channel Master HD-9515 rotor on each. Portland 13" color tv; Emerson (model 754) VCR. All Es loggings listed; Tr relogs noted only when rare.

8/23 Tr	1030 WMVT	36 NEW WI	490 (Milwaukee)
12/25 Es	1148 inid	3 notes	
	1212 Cuba	3 notes	
	1225 unid	3 notes	
	1237 Kill	3 TX	851 (Corpus Christi)
	1252 unid	6 notes	
12/26 Es	2056 KBME	3 ND	1022 (Bismarck)
	2149 CBWT	6 MB	1087 (Winnipeg)
	2157 KSRE	6 ND	1110 (Minot)
	2158 KTVS	3 CO	926 (Sterling)
	2224 KOTA	3 SD	1024 (Rapid City)

NOTES: It was a real treat to see Es over the Christmas season for the first time in recent memory. No new stations were logged, but the return of 'old friends' was more than welcome. The 1212 Cuban logging was an ICRT tp with no discernable identification. The unid at 1148 was a mystery...PTA Cuba...with the letters YTV inside a small tv-screen-shaped box in the lower left corner. The 1225 unid was probably WEDU...running a ballet performance. The 1252 unid was most likely from Monterrey. According to reports on the Internet, a lot of dxers in the eastern half of the continent got in on this...congrats to all -- Tom

November 1995

18 Es 1215 WEAR-3 FL
1250 WRBL-3 GA
1300 WFOR-4 FL
1630 WPBT-2 FL
21 Es 1630 WHBF-4 IL
1650 KMTV-3 NE
1755 KTIV-4 IA
1800 KYTV-3 MO
WISC-3 WI
1830 KIMT-3 IA

December 1995

25 Es 1915 WLBT-3 MS
1930 WREG-3 TN
2300 KYTV-3 MO
2320 KMOV-4 MO
2330 KQTV-2 MO
2335 KSNW-3 KS
26 Es 0930 WCIA-3 IL
0958 WLBT-3 MS
1050 WSAV-3 GA
1055 WEDU-3 FL
1200 WBBM-2 IL
KTVO-3 MO
1230 KTVI-2 MO
1500 WREG-3 TN
1645 WSB-2 GA
1700 WSIL-3 IL
KYTV-3 MO
1720 WRCB-3 TN
1800 WDAF-4 MO
WCBI-4 MS
1820 WTVY-4 AL
2307 WEAR-3 FL
2315 WRBL-3 GA
2330 KARK-4 AR
27 Es 0001 WEDU-3 FL
0030 WCIV-4 SC
0115 WTVY-4 AL

Comments: How much E skip did you say was coming in Mr. Barstow? So much skip that I was loosing sleep, so much skip that I was forced to watch several hours of car commercials, so much skip that when I went out to the end of the driveway to get the newspaper, I was skipping!

On Oct. 1, 1995 I reported picking up WDRG-24 VA. After seeing the WB list in the November VUD I realized it could have been W24BB in PA. W24BB has a coat of many colors! I lost a logging (WDRG) but I gained one by calling WUNE-17 NC and confirmed my October 19, 1995 logging.

Before the snow came, I cornered (more or less) a local cable man and after an explanation he installed connectors on some .750 hardline I had lying around. It is only 50 feet but I notice an improvement, WCNV-24 NY is in almost every day now. Ch. 24 Hartford is riding along with WCNV. I thought I had trouble with stations west of me. Ha Ha

December 1995

27 Es 0200 WEAR-3 FL
0205 WBRZ-2 LA
0210 KATC-3 LA
1145 KARK-4 AR
1200 WREG-3 TN
1250 WLBT-3 MS
1630 WEDU-3 FL
1700 WESH-2 FL
1730 WJXT-4 FL
2300 WEDU-3 FL
2315 WISC-3 WI
2335 WTOM-4 MI
28 Es 0100 WESH-2 FL
0105 WEDU-3 FL s/off
0106 WISC-3 WI
0110 WLBT-3 MS
1215 KGAN-2 IA
1230 KTVI-2 MO
1240 WREG-3 TN
1300 KIMT-3 IA
1320 WBAY-2 WI
1400 KOET-3 OK
29 Es 0015 KGAN-2 IA
0110 WBBM-2 IL

January 1996

4 Es 0100 WEDU-3 FL In 1 hr.
11 tr 2200 WNJS-23 NJ
WMGM-40 NJ
WBOC-16 MD
WMPY-22 MD
WBFF-45 MD
WHMM-32 DC
22 tr evening, same as above +
20 & 26 DC, 34, 40 & 46 NY +
17, 20, 24, & 45 NY 20, 28,
22, 31, 33, & 41 VT, WOST-69 RI,
16, 22, 28, 44, 38, 17, 29, 39, 35, &
69 in PA.
28 tr 1830 WNPE-16 NY
WNPI-18 NY

WESTERN TV-DX

April 1996

Tropo & Es in January & February

While some of us up north were shivering and getting dumped on, our reporters nearer the Gulf of Mexico were enjoying record high temperatures and great tropo; even some off-season Sporadic E. John Ebeling submitted a TV DX report from Barbados. Fernando Garcia reports lots of tropo DX across the Gulf, and Pat Dyer reports some rare March Es.

Dennis P. Smith, 3703 Dixon St., Santa Barbara, CA 93105-2419 (805)687-7803 (PST)

This report is from December 1995 through February 1996. Last month's report was mostly in error because of wrong dates, so it is being done again. Apologies.

Summer-autumn tropo DX to San Diego/Tijuana (channels 6-69, 175-200 miles) continued from November to Dec. 8, followed by unsettled weather (no tropo) with occasional rain. Then, from January 6 to 15, there was return to summer-like weather with fairly stable inversion and warmer temperatures, which allowed some fair coastal tropo for that time period. After January 15, winter finally hit with the colder rainy season (snow higher in mountains) and no more tropo. It has been that way since then, through the end of February.

Frank Aden, Jr. N7SOK, 4096 Marcia Place, Boise, ID 83704

Equipment: same as in last report.

A couple of mid-winter Es openings to report:

01-14-96
1330 KOTA 3 SD

03-01-96
1700 Co-channel interference on ch. 2.
1730 KACB 3 TX Lasted until ~1900.

John Ebeling, 9209 Vincent Ave. So., Bloomington, MN 55431

Here is another TV DX report from Barbados during early February 1996. Equipment I had to play with was a 19" Samsung, Model TC 9865TB, made in Mexico in 9-91. Antenna was "rabbit ears" on top of set. Second floor in a concrete block building. Trans-

Victor Frank
12450 Skyline Blvd.
Woodside, CA 94062-4541
email frank@sneezy.sri.com
(415)851-7031

equatorial Es seemed to be down this year during my stay (two weeks), but the February 14 opening was the best I've seen down there. Antenna usually on an East-West orientation. (I was on the south coast of the island). Eastern Standard Time used.

02-11-96 1100 EST
Es on Ch 2 w/Spanish audio (Pix wouldn't synch).

02-14-96 1400-1600 EST
Es on Ch 2, 4, & 5. Several stations on 2 w/alternating pictures. One pix was "cultural glub-glub" which consisted of a TV set under water with a fish swimming around. Spanish audio.

2230 EST Pix on Ch 2 & 4.

02-15-96 2130 EST
Weak Es on Ch. 2 & 4.

As usual, I never get an ID of any sort, but submit the info to provide a report from an area usually remote from other reporting sites.

Danny Oglethorpe, P.O. Box 6688, Shreveport, LA 71136-6688

Equipment: Unchanged since last report.

January 1996	UTC
01 tr 0720 WVUE 8 LA	274
0728 WLOX 13 MS	319
03 Es 1950 KGFE 2 ND	1063
2240 KDKA 2 PA	945
08 tr 1615 KTEN 10 OK	234
14 tr 0535 WGNO 26 LA "ABC26"	274
0710 WLOX 13 MS	319
0810 WMAH 19 MS	319
0820 WVUE 8 LA "FOX"	274
0830 WNOL 38 LA "WB38"	274
WWL 4 LA	274
0859 XERV 9 TA	513
XHAB 7 TA ID bars	503
0928 WHNO 20 LA	274
WMAO 23 MS //19	220
0950 WDSU 6 LA	274
1015 WCCLt 49 LA HSN	279
1605 WMAV 18 MS //23	279
1610 WMAB 2 MS //23	276
WCBIt 4 MS	

Western TV DX (D.Oglethorpe's report continues)

14 tr	1610	WTVA	9 MS	319
15 tr	0110	XHAB	7 TA	503
		XERV	9 TA	513
	0115	KRGV	5 TX	501
	0120	KGBT	4 TX	491
	15 tr 0138	KZTVt	10 TX	
16 tr	1530	WHBQ	13 TN	285
Es	1859	KTVI	2 MO Brief	Es 475
17 tr	1502	KRBC	9 TX	348
	1510	KLST	8 TX	396
	1540	KJTL	18 TX	293
		KSWO	7 OK	309
	1610	KTEN	10 OK	234
	2215	WREG	3 TN Note #1	285
18 tr	0435	XERV	9 TA	513
19 Es	2300	WJBKt	2 MI Fox	
21 tr	1600	KTEN	10 OK	234
	1730	Houston V&U's/f	all day	
	2300	WMAH	19 MS	319
22 tr	0035	KABB	29 TX	347
	0040	KCEN	6 TX Floating	229
	0050	KENS	5 TX	347
	0115	KTBC	7 TX	277
		KMOL	4 TX	347
	0150	WTVA	9 MS	319
	0430	KAIT	8 AR Flot/KNOE	295
	0435	WMAO	23 MS	220
	0535	KETA	13 OK	303
	0540	KWTV	9 OK	303
	0550	WMAV	18 MS //23	279
		KTEN	10 OK	234
	1340	WLJt	11 TN "Mr. Rogers"	
		WTVA	9 MS	319
		WHBQ	13 TN	285
	1359	WLMTt	30 TN	
	1403	WMAV	18 MS	279
		WFIE	14 IN Note #2	519
	1412	WEHTt	25 IN ABC "GMA"	
	1535	WKNO	10 TN	285
24 tr	0250	KAIT	8 AR	295
25 tr	0930	WMAO	23 MS	220
28 tr	0045	WHBQ	13 TN	285
	2120	WTVA	9 MS	319
29 Es	2301	unID	2 Mexico	
	2310	XEWO	2 JA	1003
		XHGt	4	
February 1996				
02 tr	1900	WTVA	9 MS	319
		WKNO	10 TN	285
		WMC	5 TN	285
Es	2340	unID	2 XEQ	
03 Es	0000	XEWO	2 JA	1003
		XHG	4 JA	1003

07 tr 1445 KCEN 6 TX Local off 229

Notes:

1. Local KTBS was off for about thirty minutes due to high winds. I saw WREG's Nx, Wx, and logo weakly. Very lucky catch.

2. Indiana would be a new state for me, except I think WFIE's transmitter is in Kentucky.
ERIC BUENEMAN (NOUIH), 631 Coachway Lane, Hazelwood, MO 63042-1347

A note concerning my reception on 12/27/94 of the TVOntario station on Channel 19 (which came in with WXIX). Originally, I had the station down in my logs as CICO19 in Sudbury, ON. During the week of February 5, 1996, the report was verified...as CICA-19 Toronto, ON at 660 miles/.056 kilometers! So, the new recordholder becomes WNED-17 Buffalo, NY (beating CICA by just five miles). The TVOs on 18, 32 and 59 are verified as the stations I reported in the March 1995 VUD.

Jeff Kruszka, 5024 S. Braxton, Baton Rouge, LA 70817

Equipment:

1992 Zenith "Sentry 2" 13" color TV, Channel Master 4228A 8-bay w/RDX Labs UA-900 preamp and RG-11 for UHF and high band VHF (20' AGL).

January 1996 CST

13 tr	2155	K57??	57 LA N.O. travel	
			ch. moved from ch. 55	
14 tr	0200	WTXLt	27 FL unid movie, E	
21 tr	2232	WLMT	30 TN ID	325
		WPTY	24 TN loc sport	325

February 1996

20 tr	1831	XHAB	7 TA ID	505
	1837	KEDT	16 TX	425
	1839	XHFOX	17 TA local ad	535
	1843	unID	25 SS	
	1852	K6BDJ	68 TX Telemundo	425
	1856	KZTV	10 TX loc nx, ID	425
	1904	KVEO	23 TX NBC	500
	2009	XHMOY	22 NL	650
	2100	XH???	24 TA XEQ IDs	715
21 tr	0424	Dallas	UHFs	365
	0438	KSHV	45 LA UPN ID sl.205	
	0551	KASN	38 AR colorbars	270
	0612	WZDX	54 AL ID	400
	0618	WVEU	69 GA UPN 69	455
	0621	KETGt	9 AR PBS aud/local	
	0700	WTVA	9 MS ID, NBC flt295	
	1954	W46AV	46 MS TBN due E 160	
			(local 46 off)	

Western TV DX (Jeff Kruszka's report concludes)

21 tr	1958	WSST	55 GA local ads	445
	2236	WMSGT	41 GA ID	470
21 tr	2300	KNCT	46 TX ID	375
	2329	WGNX	46 GA CBS LateS	455
	2334	XHAB	7 TA SS, soccer	505
	2350	WPGA	58 GA ABC	460
22 tr	0657	WAKA	8 AL ID	280
	0701	unID	66 w/missed signon	
	0709	unID	9 SS over local	
22 tr	0726	KMBH	60 TX colorbars	495
	2212	K63DL	63 TX KCEN-6	310
			(Brian TX xltr)	
23 tr	0647	WJFB	66 TN "Music City", Lebanon, WJFB in lower rt	485
	0732	WFBI	50 TN HSN, ID	325

An excellent three-day Gulf tropo opening with some pretty intense signals at times! I probably would have DX'ed more if my fiancee hadn't kept me in check--gotta spend some quality time with her, you know (we get married March 30th).

Fernando Garcia, Apartado 30, Suc B, Cd Guadalupe, NL, 67181 MEXICO ph(8) 360-5874. Location 1800' ASL, No relogs under 700 miles or previous 24 hr. Only tropo is reported.

Equipment: Sony 27EXR15, Screened CM 7' dish 85', RG11, UA900 amp. Sony KV-13TR27, CM1110 at 30', RG6, Archer V-110 vert, CM 8 bay UHF array 50'

December 1995				CST
31	1915	WDBD	40 MS	749
	2030	WMPN	29 MS	743
		WAPT	16 MS	749

January 1996				CST
01	0900	XHOR	11 TA moves from ch 14	155
		WUPL	59 LA	705
04	2000	WMPV	21 AL	839
	2030	WPMI	15 AL	836
		WPMI	15 AL	836
05	0530	+ WXXV	25 MS	761
	0545	WHBR	33 FL	836
	0600	WPAN	53 FL	870
	0615	W14IE	14 LA	705
	0630	\$ WMAH	19 MS	771
09	0515	@ WXXV	25 MS	761
	0530	WBHS	50 FL	1116
		WTTA	38 FL	1116
		WFTX	36 FL	1140
		WPMI	15 AL "NBC-15"	836
		WFTS	28 FL	1116

09	0545	WLOX	13 MS	758
		WUPL	54 LA	705
		WMPV	21 AL	839
09	0600	\$ WMAH	19 MS	771
		WOGX	51 FL	1122
	0615	WRBW	65 FL	1193
		W14IE	14 LA	705
	0630	WHBR	33 FL	836
	0645	\$ WEIQ	41 AL	823
	1900	\$ WACX	55 FL	1181
	1900	WBBH	20 FL	1144
		WSFP	30 FL	1144
	1915	WIRB	56 FL	1212
		WBCC	68 FL	1200
		WTGL	52 FL	1200
	1930	WSBF	43 FL	1200
		WMFE	24 FL	1190
	2045	WWSB	40 FL	1106
	2100	WZVN	26 FL	1153
		WTVK	46 FL	1153
10	0100	WPAN	53 FL	870
	2145	WBHS	50 FL	1116
		WTTA	38 FL	1116
13	2215	WEIQ	42 AL	823
		WUPL	54 AL	705
	2230	WMPV	21 AL	839
14	0115	\$ WAPT	16 MS	749
		WDBD	40 MS	749
		WPMI	15 AL	836
	0130	WHBR	33 FL	836
		\$ WMAH	19 MS	771
		\$ WMAO	23 MS	799
	0400	WMAW	14 MS	802
		KASN	38 AR	774
	0415	WPAN	53 FL	870
	0730	WLOX	13 MS	758
		WIIQ	41 AL	873
	0745	\$ WLTZ	38 GA	1035
	0800	\$ WXXV	25 MS	761
	0815	WXTX	54 GA	1035
	0845	WFBI	50 TN	900
		\$ WFIQ	36 AL	963
	0900	WLMT	30 TN	895
		WPTY	24 TN	904
		WGBC	30 MS	830
	0915	WFXL	31 GA	1066
	0945	WTLH	49 GA	1025
	1000	WTXL	27 FL	1029
		WTWC	40 FL	1029
	1015	WHLT	22 MS local out	771
	1030	WTTA	21 AL	970
15	0300	WUPL	54 LA	705
17	0630	WUPL	54 LA	705
	2145	WDBD	40 MS	749
19	1900	WBHS	50 FL	1116
		WTTA	38 FL	1116
20	0700	\$ WACX	55 FL	1181

Western TV DX (Fernando Garcia's report continues)

20	0700	WPMI	15 AL	836
	0715	\$ WUSF	16 FL	1116
		\$ WZVN	26 FL	1153
20	0715	\$ WSTP	30 FL	1144
		\$ WTMV	32 FL	1134
		\$ WWSB	40 FL	1106
		WTOG	44 FL	1116
		WRXY	49 FL	1140
		WCGX	51 FL	1122
	0730	WFCT	66 FL	1115
20	0730	WTVK	46 FL	1153
		WVEA	61 FL	1103
		W56CN	56 FL	1106
		\$ WFTX	36 FL	1140
		\$ WBBH	20 FL	1144
		WTVT	13 FL	1116
		WTAN	53 FL	870
	0745	WFXL	31 GA	1066
		WABW	14 GA	1047
		W24AT	24 FL	1106
		WRBW	65 FL	1193
		WFSG	56 FL	929
		\$ WVLA	33 LA	634
		WBSV	62 FL	1110
0800		W61AK	61 FL	1120
		WTTT	28 FL	over local 1116
		WINK	11 FL	1144
		\$ WXXV	25 MS	761
0815		WMPV	21 AL	839
		WGBC	30 MS	830
0830		WTLA	8 FL	1116
0900		WUPL	54 LA	705
0915		W57BA	57 FL	1116
		W48AY	48 FL	1090
0930		WGIQ	43 AL	985
		WDBD	40 MS	749
1000		WXTX	54 GA	1035
		WHBR	33 FL	836
		WEIQ	42 AL	823
		WLTZ	38 GA	1035
1015		WMPN	29 MS	743
		WFOA	32 AL	926
1045		WJTC	44 FL	845
23	0645	WDBD	40 MS	749
	0700	WMAW	14 MS	802
		WAPT	16 MS	749
		WGBC	30 MS	830
25	0045	\$ WTTA	38 FL	1116
		WBHS	50 FL	1116
		WFTX	36 FL	1140
		\$ WWSB	40 FL	1106
		\$ WRBW	65 FL	1193
		\$ WTMV	32 FL	1134
0100		WFLA	8 FL	1116
		WTVT	13 FL	1116

25	0345	\$ WFTS	28 FL	1116
		\$ WACX	55 FL	1181
		\$ WFCT	66 FL	1115
	0345	\$ WTOG	44 FL	1116
	0400	\$ WUPL	54 LA	705
	0415	WTGL	52 FL	1200
		WCLF	22 FL	1085
	0430	\$ WKCF	18 FL	1190
		\$ WOFL	35 FL	1190
		W24AT	24 FL	1106
25	0430	WBSF	43 FL	1200
	0500	WBCC	68 FL	1200
	0515	W56CN	56 FL	1106
		\$ WUSF	16 FL	1116
		W61AK	61 FL	1120
	0600	+ WMFE	24 FL	1190
		WBSV	62 FL	1110
		WCEU	15 FL	1193
	0630	WOGX	51 FL	1122
	0700	\$ WCJB	20 FL	1122
		WIRB	56 FL	1212
		WNFT	47 FL	1178
		WJEB	59 FL	1178
	0715	W20AU	20 FL	Tampa VJN 1115
		WVEA	61 FL	1103
		W26AZ	26 FL	1085

(Clearwater's LPTV, Spanish)

	0730	WAWS	30 FL	had to leave 1178
	2015	WNOL	38 LA	693
29	2230	WUPL	54 LA	705
30	0530	WDBD	40 MS	749
		@ KTLC	43 OK	705

February 1996				CST
09	0615	WUPL	54 LA	705
		WMAH	19 MS	771
10	0515	WUPL	54 LA	705
	0645	KWHB	47 OK	764
	0745	\$ KLRT	16 AR	783
		KASN	38 AR	774
	0800	KVTH	26 AR	739
	1800	WDBD	40 MS	749
	2045	WPAN	53 FL	870
		WMPV	21 AL	839
		WEIQ	42 AL	823
		WMAH	19 MS	771
	2115	WGBC	30 MS	830
19	0230	WUPL	54 LA	705
20	0315	WUPL	54 LA	705
	0545	K51BG	51 TX	Victoria Telemundo 320
	0700	WGBC	30 MS	830
	2015	\$ WEIQ	42 AL	823
		WFSG	56 FL	929
		\$ WMAH	19 MS	771
		WMPV	21 AL	839
	2030	WMAW	14 MS	802
		WXXV	25 MS	761

Western TV DX (Fernando Garcia's report concludes)

20	2045	WIIQ	41 AL	873
	2115	WHBR	33 FL	836
	2145	WPAN	53 FL	870
20	2145	WDBD	40 MS	749
	2200	WMBB	13 FL	960
	2215	unID	39 MX	videos
	2230	WMDN	24 MS	833
		\$ WSRE	23 FL	855
		W52BF	52 AL	830
		W46AN	46 FL	960
20	2245	WJTC	44 FL	845
		W31AQ	31 AL	835
	2300	WFGX	35 FL	889
		unID	39	Sports Net
		\$ WAPT	16 MS	749
		\$ WATL	36 GA	Quest 36 1103
	2315	W29BH	29 MS	758
21	0245	WHSB	63 GA	1119
		WFOA	32 AL	926
	0300	WAFB	9 LA	637
		\$ WLOX	13 MS	758
		WDHN	18 AL	982
	0330	WGNX	46 GA	1103
		WVEU	69 GA	1100
		\$ WUPL	54 LA	705
	0515	W47BP	47 MS	771
	0530	WJSP	28 GA	1057
		WDSU	6 LA	693
	0545	WTJP	60 AL	998
		WGIQ	43 AL	985
	0600	WPPA	30 GA	1103
	0700	WGBC	30 MS	830
	0715	WCFT	33 AL	923
	0730	WLTZ	38 GA	1035
		WXTX	54 GA	1035
		WBMG	42 AL	963

Thanks to Erick Voytko, John F. Combs and Doug Smith for great help with unids of previous reports. I can ID Jeff Kruszka's ch 66 of November 26: WSWW Opelika-Auburn-Columbus (I have them on tape). I won't report any Es skip caught because it's not my favorite propagation mode, and is very time consuming, there is a lot of CCI from local and semi-local TVs on low VHF.

January 1996 was an excellent month for tropo DX (third best month ever), best days 20 & 25 with LPTVs from Florida. I added two news ones for my personal logs.

February 20-21 was another excellent tropo opening. We had temperatures up to 100° F.

New Orleans TV info based on my logs:

WNOL-38 is "WB38", WGNO-26 is "ABC-26" and WVUE-8 is "FOX-8". WHNO-20 airs on weekdays "CBS This Morning" at 7 AM.

Pat Dyer, 5315 Silvertip Drive, San Antonio, TX 78228-2744

Equipment: Emerson 1987 model 872 VCR used as the tuner ahead of a 9" B&W Keepsafer CCTV monitor. Archer V-100 and 8-bay bow-tie UHF array at 20' AGL with rotor

February 1996				CST
21	tr	0107 WNTZ	48 MS	NATCHEZ 450
		0136 KFDM	6 TX	BEAUMONT 280
		0146 WLAE	32 LA	NEWORLEAN 519
		0159 WNOL	38 LA	NEWORLEAN 519
		0220 WGNO	26 LA	NEWORLEAN 519
		0250 WVUE	8 LA	NEWORLEAN 519
		0308 KATC	3 LA	LAFAYETTE 375
		0358 KLFY	10 LA	LAFAYETTE 376
		0429 WAFB	9 LA	BATONROUG 446
		0556 WVLA	33 LA	BATONROUG 441
		0559 WMAH	19 MS	582
		0610 KPLC	7 LA	LAKECHARL 340
22	tr	0342 WNOL	38 LA	NEWORLEAN 519
		0455 KLFY	10 LA	LAFAYETTE 376
		0828 WVLA	33 LA	BATONROUG 441
		0829 KPLC	7 LA	LAKECHARL 340
		0923 KNOE	8 LA	MONROE 430
		0931 WLAE	32 LA	NEWORLEAN 519
		2055 WLOX	13 MS	574
		2101 WVUE	8 LA	NEWORLEAN 519
23	tr	0358 KLFY	10 LA	LAFAYETTE 376
		0608 KPLC	7 LA	LAKECHARL 340
		0709 WLAE	32 LA	NEWORLEAN 519

March 1996				
01	Es	1730 KVBC	3 NV	LASVEGAS 1052
		1959 KTVS	3 CO	STERLING 807
		2017 KTWO	2 WY	CASPER 1011
02	Es	2059 KVBC	3 NV	LASVEGAS 1052

Comments:
Record high temp of 100 on Feb 21 (earliest in the year for that) along with several days of 90's made for a lot of tropo ducting. Due to the heavy CCI on the TV, more time was spent with the FM, which, in spite of a 1-db capture ratio for the tuner, did net a lot more new stuff there. The local Ch 5 wx guy tried to give an explanation as to why there was so much interference to their signal! (The gist of which was, "we can't do anything about it".)

March Es! This is statistically the "worst" month for much of it (for me). Reminds me of the Mar 6, 1983 sudden surge.

NORTHERN FM-DX

GREG CONIGLIO
5100 GLENWOOD DRIVE
WILLIAMSVILLE, NEW YORK 14221
NEW E-MAIL-
e-mail: coniglio@localnet.com

For DXers in: MA, NH, VT, CT, MA, RI, NY, PA, NJ, OH, MI, IN, IL, WI, MN, IA, NE, SD, ND, MT, WY, ID, WA, OR, AK, Canada
APRIL 1996 DEADLINE The 5th LOG CUT-OFF 3 months from postmark

Not much going on, apparently. For most of the eastern half of North America, it has been a bitter winter, with snow records falling in many cities. Not the best conditions for DX. Even here in the beginning of March, weather patterns remain like mid-winter. Let's hope by the time you read this, the pattern has broken! Note there have still been a few scattered reports of e-skip and tropo here and there, including a nice opening in the Maritimes. With spring approaching, a big tropo opening could be right around the corner, so keep on the lookout! If you hear anything, why not send in a report!...

JOSEPH PELA - 150 ROBERT PLACE - SO. PLAINFIELD, N.J. - 07080

Equipment - McIntosh MR-78 tuner/stacked Stereo Probe 9s + a single Stereo Probe 9, on rotors, at 40 ft., Bolin phase box.

Time: ELT

DECEMBER 1995

25 Es		
1936 WIKX	92.9 FL Punta Gorda, k, "Kix Country", legal at 2001	1042
2245 KFXI	92.1 OK Marlowe, "Foxy 92" + call, k	1352
2258 {KOAS}	92.1 OK Broken Arrow, legal ID, "The Oasis", smooth j, Ex: KTBA/KGOW/KOMA	1211
2259 KOSU	91.7 OK Stillwater, promo,	1268
2308 KOMA	92.5 OK Oklahoma City, jingle, oldies,	1304
2317 KLOZ	92.7 MO Eldon, "Z-93, The Mix"	981
26 Es		
1722 KFXI	92.1 OK Marlowe, ID	1352
1725 KNIN	92.9 TX Wichita Falls, call, r	1402
1755 KMJJ	99.7 LA Shreveport, call, urban	1209
1800 KWRW	97.7 TX Rusk, ID as KWRW/CD97-FM + mention of KTLU-1580 and Palestine xtr., Texas State News	1305

DECEMBER 25 Es (continued)

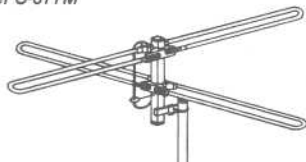
1800 KKTU	96.1 TX Kilgore, AM/FM ID	1267
1805 KYMA	107.9 AR Magnolia, PSA, call	1155
1807 KYTN	107.7 AR Wrightsville, PSA or ad, g,	1059
1824 {KWKK}	100.9 AR Russellville, call, Ex: KAIO/KCJC	1085
1835 KDEL	100.9 AR Arkadelphia, call	1117
1840 {KOMS}	107.3 OK Poteau, KPRV-KOMS ID, Ex: KINB/KLMK	1157
1858 KWFC	89.1 MO Springfield, "Radio 89" + legal ID, g,	1040
2157 KQKI	95.3 LA Bayou Vista, call	1167
2208 KRTS	92.1 TX Seabrook, "K-Arts", promo, ad, classical	1392
2215 WRKF	89.3 LA Baton Rouge, ID, wx, c,	1164
2217 WKSJ	94.9 AL Mobile, "KSJ", k	1025
2220 KYKZ	96.1 LA Lake Charles, call	1277
2224 KKBQ	92.9 TX Pasadena, "93Q", Houston wx, k,	1393

COMMENTS: The new Avis "TIS" on 105.7 out of Newark International Airport has been noted here, at about 10 air miles. At times, it was strong enough to pin the meter (with the antennas pointed at it). On the car radio, it was also noted giving WNNK-105.9 Newark some interference in downtown Newark! However, of late, it has been noticeably weaker. I would estimate it's power in the 10-25 watt area. However, the real nightmare of this situation is, if Avis can put a low power station on the air, why can't a hundred other businesses do the same thing in this and every other market? The recent changeover of country WYNY-103.5 to WKTU with dance music was most enjoyable as the transition period featured WYNY relaying the following stations for a 24 hour period each: WRXC-103.5, KKBT-92.3, K101-101.3, WLUP-97.9, and WXSX-107.9. The ads were also carried. The only attempt to block out anything was on Baywatch ads on K-101. The channel number for these ads was "on Channel 2". As the program is locally seen on WWOR-9, I guess either WWOR or the syndicator lodged a complaint with WYNY.

73, Joe

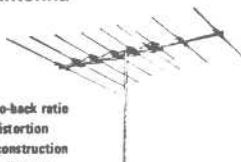
GENERAL INSTRUMENT

Omni-Directional FM Antenna Model C-677M



A "triad-and-true" favorite of metropolitan FM enthusiasts. Brings in FM stereo and monaural signals equally well from all directions over a full 360 degrees. An excellent choice for the FM listener living up to 35 miles away from FM stations. Can be installed in minutes—comes completely pre-assembled with elements which up and snap into place.

Directional FM antenna Model QFM-9

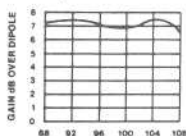


Features

- High-gain, high front-to-back ratio
- Minimize multi-path distortion
- Rugged square boom construction
- Special "Golden Armor" finish

Specifications — QFM-9

Width	66 in.
Length	101 in.
Turning radius	63 in.
Front-to-back ratio	20 dB



NORTHERN FM DX

MICHAEL LAROQUE - 38 STEED COURT - DARTMOUTH, NOVA SCOTIA B2W 3V8

Equipment: Onkyo FM Stereo Tuner T-9090 II, Magnum Dynalab 205 FM amplifier + Stereo Probe 9 FM yagi antenna at 20', Radio Shack Rotor

DECEMBER 1995 DX

1 Tr & Au		
2020 CKOI	96.9 PQ Verdun, Au	500
2120 WSYU	94.9 ME E.Millinocket, k	260
2121 CKPE	94.9 NS Sydney, k	190
2123 CIEU	94.9 PQ Carleton, FF	280
2130 CKLE	92.9 NB Bathurst, FF	230
2144 WHCF	88.5 ME Bangor, g	267
2157 WTOS	105.1 ME Skowhegan, pr,	349
	NOTE #1	

2 Es

0030 WMMT	88.7 KY Whitesburg, r	
0030-0050 Unids	on 90.1, 95.5, 97.9, 94.9	

3 Tr

2132 WAVX	106.9 ME Thomaston	292
2200 CBAF	105.7 NB Allardville, FF CBC	
2200 CKHJ	105.3 NB Frederickton	175
2210 CKRO	97.1 NB Inkerman, FF	260
2223 WMEM	106.1 ME Presque Isle, c	260

7 TrS

1227 CIEU	94.9 PQ Carleton	280
2124 WTOS	105.1 ME Skowhegan, pr	349
2145 CIBM	107.1 PQ Rivières-du-Loup, FF	360

8 TrS

1520 WERU	88.9 ME Blue Hill	250
-----------	-------------------	-----

23 TrS

1244 CKLE	92.9 NB Bathurst, FF	230
1248 CBAA	97.9 NB Allardville, CBC E	210
1343 WMED	89.7 ME Calais, c	192
1343 WMEH	90.9 ME Bangor, c	267

JANUARY 1996 DX

2 Es

1640 unID	88.3 French	
1654 CJRQ	92.7 ON Sudbury, r, Q92,	
	NEW PROVINCE	

1700 WBNY	93.7 MI Newberry, o, NEW STATE	
1711 CBSM	89.5 ON Sault Ste marie, CBC Northern Ontario	

1725 WUPQ	97.9 MI Newberry, k	
1800 WNMU	90.1 MI Marquette, wx & nx	

12 Tr

2110 unID	103.7 French mx in and out	
-----------	----------------------------	--

14 TrS

2204 WSYU	94.9 ME E.Millinocket, North Country	
-----------	--------------------------------------	--

17 Tr

2335 WAVX	106.9 ME Thomaston, c	292
2340 WMEM	106.1 ME Presque Isle, c, strong	
2342 CBAF	107.3 NS Yarmouth	147

18 Tr

0015 WTOS	105.1 ME Skowhegan, pr	349
0021 CJLS1	93.5 NS New Tusket	140
0040 CKDY1	103.3 NS Weymouth	
0043 CBHY	92.1 NS Yarmouth, c	147
1653 WWMJ	95.7 ME Ellsworth, o	247
1659 WTMS	96.1 ME Presque Isle	267
1706 WMDI	107.7 ME Bar Harbor	245
1722 WERU	89.9 ME Blue Hill,	250
1733 CIBM	107.1 PQ Rivière-du-Loup	360
2251 CBAF3	91.5 NB Campbellton, FF, weak	
2314 CBZB	90.9 NB Boistown, c	190

JANUARY 19 TrS

0242 WQCB	106.5 ME Brewer, k	267
0246 WMEF	106.5 ME Fort Kent, c	305
0409 CIBM	107.1 PQ Rivière-du-Loup	360
0410 CBI	105.1 NS Sydney, CBC Stereo	
0414 CBAF	95.9 NS Sydney, FF strong	190
0730 CJBR	89.5 PQ Rivière-du-Loup	360
0730 unID	89.5 French in stereo	

23 Tr

0210 CIBM	107.1 PQ Rivière-du-Loup	360
0217 WMEF	106.5 ME Fort Kent, c	305
	(Newest member of Maine Public Radio)	

24 MS

0922 CILQ	107.1 ON Toronto, traffic report	800
-----------	----------------------------------	-----

FEBRUARY 1996 DX

11 Tr

0534 WMEF	106.5 ME Fort Kent, c	305
0533 WMEM	106.1 ME Presque Isle,	260
0534 WQCB	106.5 ME Brewer, k	267
0536 WMED	89.7 ME Calais, c	192

14 Tr

2153 WBPW	96.9 ME Presque Isle, k, strong at times	260
2154 CFIX	96.9 PQ Chicoutimi, m, briefly over WBPW	

20 Tr

0452 WMEF	106.5 ME Ft. Kent, c, weak	305
1732 WAAF	107.3 MA Worcester, in for 2 or 3 minutes	450
1805 CJLS1	93.5 NS NewTusket, goodtime oldies	

21 Super Tr

0806 CBI	105.1 NS Sydney, nx, the others in very strong too!	190
0809 CBIC	107.1 NS Cheticamp, strong	190
0814 CFIM	92.7 PQ Cap au Mueles	200
0818 CBVM	95.3 PQ Cap au Mueles	
0824 C???	106.1 PQ Cap au Mueles, FF	
0846 CBNM	90.3 NF Marystown, weak	433
0944 CBCI	94.3 NS Inverness,	160
1717 CKIX	99.1 NF St. John's, weak at this time, much stronger later	565
1616 CHOZ	94.7 NF St. John's Oz-FM	565
2200 CBN	106.9 NF St. John's 32 db, \$	565
1815 CBAF	105.9 NF St. John's, FF	
2352 CIOZ	96.3 NF Marystown, weak	433
22 Tr		
1157 CBNM	90.3 NF Marystown, fair in and out reception	433

NOTE 1: The distance to 105.1 WTOS Skowhegan has been altered to 349 miles, when I heard that they have their tower on top of a mountain 32 miles WNW of Skowhegan, Maine.



CBC Radio
Maritimes

SOUTHERN FM DX

Danny Buntin
1312 N. Skyline
Stillwater, OK 74075

APRIL 1996

DEADLINE: 14th

SOUTHERN FM DX is for reporters from: AL, AR, AZ, CA, CO, DE, DC, FL, GA, HI, KS, KY, LA, MD, MO, MS, NC, NM, NV, OK, SC, TN, TX, UT & WV. Happy DXing!!

FANTASTIC FEB. 23rd TROP DUCT RANGES OUT TO AROUND 1000 MILES FOR 2 DXERS!!

Doug Smith (W9WI) 1385 Old Clarkville Pike, Pleasant View, TN 37146-8098

The Feb. 23 opening was a weird one. Tropo was in to southern Texas most of the night (Houston and New Orleans TV); then, shortly after logging XERV-9 the band seemed to switch immediately to the east. I consider WMIT a better DX catch than KKPS - east is a very difficult direction from here, and anything from North Carolina has to cross the Appalachians, a difficult task. On the other hand, I do very well to the west, and Texans don't seem all that difficult, even on tropo...

There was skip(?) on the 29th which briefly reached channel 5, but never made it to FM.

Equipt.: Technics ST-G50, Archer VU-160 at 15'

2/21 tr	2/23 tr
2345 WFTX 93.9 AL Rogersville, rel. adult contemp. & freq. call IDs. Yes, it's stereo	0826 WJDO 101.3 MS Meridian, local talk
2/22 tr	0832 WV(?)XS-100.7, country, who, whee?
2351 KTXR 101.3 MO Springfield, "Lite & easy listening for the Ozarks"	0836 KKPS 99.5 TX Brownsville, "Que Paso" and local b'days
2/23 tr	0838 WYMX 99.1 MS Greenwood, "Max 99.1 FM" 269
0000 KGMV 100.5 MO Aurora, legal ID	0857 WINL 98.5 AL Linden, "Win 98.5" 296
KSAB 99.9 TX Robstown, legal ID	0905 unID "Mix 96.3" soft adcon u/WRMX
0018 KVKI 96.5 LA Shreveport, call ID	0916 WFFX 95.7 AL Tuscaloosa, "Fox 95-7" 227
KOLL 94.9 AR Maumelle, "Cool 95"	0923 WCKW 92.3 LA Laplace, New Orleans-area traffic/ads
0023 unID "Cool Country 94.7"	0930 WQST 92.5 MS Forest, "Am. Fam. R." 308
0033 WUAL 91.5 AL Tuscaloosa, local talk 228	WVAS 90.7 AL Montgomery, legal ID 281
0045 KQOK 106.5 TX Galveston, I-10 ad and in Spanish	0936 WQMX 106.7 AL Enterprise, ad 349
0802 WSTZ 106.7 MS Vicksburg, local talk 345	0937 WSTH 106.1 AL Alexander City, psa 366
0807 KMYI 106.1 LA Monroe, "Y-106" 384	0940 WZHT 105.7 AL Troy, local ads 309
unID 101.7 in Spanish, with news of Mexico; note #1	0943 WJZF 104.1 GA LaGrange, j 241
	0948 WPRO 100.7 FL Pensacola, talk 399
	1030 WMIT 106.9 NC Black Mountain, ID, wx 271
	1030 KWCK 99.9 AR Searcy, "Quick 99.9", talk

Note #1: Kinda sounded like a Radio Tamapulas outlet, as heard by skip or previous trips to The Brownsville/Harlingen area. Had XERV-9 about this time, so it may well have been a Mexican station.

Keith Pugh, 227 Martin St., New Hope, AL 35760

Equipt.: Onkyo T-9090, \$ Probe 9. MR78 in for repair, tune up

12/27 Es	1/21 tr
1104 XHOY 90.7 JA Guadalajara, ad 1412	2215 KTUZ 98.9 TX Carthage, ad 487
1106 XHGED 91.5 JA Guadalajara, ad	2226 KRUV 100.1 LA Bastrop, s, "The Beat" 340
1109 unID 92.3 "Super Exitos", XHBIO?	2228 KHLL 100.9 LA Richwood, ads, \$ 358
1117 XHZTS 91.5 ZA Zacatecas, "\$Plata" 1273	2235 KHOM 104.1 LA Houma, "Mix 104.1" 424
1127 XHPP 93.5 TM Tampico 1099	2243 WYLL 101.5 LA Baton Rouge 400
1130 unID 96.1 "R. Centro", SS	2/16 trs
1136 unID 98.5 "\$ FABULAS", XHIL?	1249 WVCMT 90.7 OH Mansfield, PH#651-7599
1140 unID 99.3 "\$ International", XHIL?	2/20 tr
1158 KWMM 93.5 AZ Show Low, ID 1348	1942 WQOX 88.5 TN Memphis 211
1203 X... 92.3 TM Rio Bravo 915	1959 WIL 92.3 MO St. Louis (33db) 353
2/28 Es	2005 KTJJ 98.5 MO Farmington, "J98" 317
1034 R. Belize 91.1 BZ Belize, \$ 1182	2022 KEZK 102.5 MO St. Louis
1035 FRIENDS FM 88.9 BZ Belize	2031 WOOZ 99.9 IL Harrisburg, "z-100" 252
1122 XHCAN 94.3 TZ Calpulalpan, "R. Cal."	2038 KSHE 94.7 MO Crestwood 365
1132 XHSONT 100.9 DF Mexico, "R. Mil"	2/21 tr
1134 XEDFT 104.1 DF Mexico, "R. Uno"	0827 KVLV 107.9 TX Edinburg, ID 903
1136 XERPM 103.3 DF Mexico, "R. Formula" 1308	0829 KBFM 104.1 TX Edinburg, ads, B-104
1137 XHMT 88.9 DF Mexico, "R. Azil"	0833 WTYX 94.7 MS Jackson 268
1139 XHMMT 100.1 DF Mexico, "\$ CIEN"	0834 KIWW 96.1 TX Harlingen, (40db) 887
1148 XHPP 93.5 TM Tampico 1099	0835 XHAAA 93.1 TM Reynosa, (37db) 918
1159 unID 92.9 SS, L, "Monte Cresto" R. Azil"	0836 KQXX 98.5 TX McAllen, (40db) 911
1210 unID 91.5 SS, "R. Digital", r	0837 KKPS 99.5 TX Brownsville, K-PASA 892

cont....

SOUTHERN FM DX

Pugh, cont.

APRIL 1996

2/21 tr	2/23 tr
0842 KOUL 103.7 TX Sinton, o/WQEN 653	0935 XHNAR 103.3 NL Linares, ID(38db) 1035
0845 KQUE 102.9 TX Houston, ads, KQ102 619	0938 KQKQ 106.5 TX Galveston 611
0851 KQID 93.7 LA Alexandria 416	0940 KLLT 100.3 TX Houston 619
0852 KMGR 93.9 TX Corpus Christi, Mix 93.9 800	0941 KNUE 101.5 TX Tyler 535
0855 WJJK 93.7 MS Vicksburg, k	0952 KRVV 100.1 LA Bastrop, The Beat 340
0858 KNON 101.3 TX Sinton, C101, lcl. sp	0955 KIWW 96.1 TX Harlingen, SS(46db) 887
0905 KQKQ 106.5 TX Galveston, Prev. Es 611	1000 KAJN 103.3 LA Hammond 366
0912 WYNK 101.5 LA Baton Rouge, k 400	1007 KASU 91.9 AR Jonesboro, c, ID 259
0913 W263AF 100.5 AL Mooresville, WEUP 92.1 xltr	1010 unID 95.1 "New Arrow 95.1" o/WNDA
0915 KSAB 99.9 TX Robstown 813	1014 KKPS 99.5 TX Brownsville, K-pasa 892
0917 KHCB 105.7 TX Houston, g, ID	1019 KBZET 105.9 LA Berwick
0930 WSEL 96.7 MS Pontotoc, g, ID 150	1023 KROX 101.5 TX Giddings, p, 101-X 684
(Been trying for WSEL for years!)	1035 KAMS 95.1 AR Mammoth Sps., area ads, "K-Country 95", o/WNDA 320
0937 KKCC 102.3 TX Rockport, The X 774	1040 WAXM 93.5 VA Big Stone Gap, thru back of antenna 259
0949 XHPAG 105.3 NL Monterrey, Papagayos FM, 25 db, mixing w/WWZQ, ms, prev. Es 1033	1044 XHPAG 105.3 NL Monterrey, (26db) 1033
0953 KJOJ 103.3 TX Freeport 652	1111 WVRK 102.9 GA Columbus, (53db) 163
1001 KWVS 97.5 TX Kingville, k, ads 834	1113 KTBZ 107.5 TX Lake Jackson, The Buzz 653
1002 KEXX 97.9 TX Houston, The Box	1127 WJIZ 96.3 GA Albany (33db) 241
1008 WKJN 103.3 LA Hammond, Cajun 103 366	1255 WLJA 93.5 GA Elijah, rare (29db) 111
1115 KCIL 107.5 LA Houma 424	1256 WJTE 102.9 GA Clarksville, rm, ID 166
2241 WNOE 101.1 LA New Orleans 383	2/27 tr
2/23 tr	0859 WDMG 99.5 GA Douglas 293
0900 WQST 92.5 MS Forest, (42db), o/loc. 461	0901 WFKS 99.9 FL Palatka, Kiss FM 438
0911 WNFV 94.3 FL Lake City 371	0905 WPEG 97.9 NC Concord 335
0905 K777 93.1 AR Batesville, Max 93.1 FM309	0911 WNFV 94.3 FL Lake City 371
0908 KSPQ 93.9 MO West Plains, op, Q94 342	0917 WFSJ 97.9 FL St. Augustine, j, ID
0922 KQID 93.1 LA Alexandria 416	0921 WFLX 101.5 FL Brunswick, ads 368
0922 KHAA 93.1 TM Reynosa, SS 918	0923 WNDM 101.3 SC Sumter, Big DM 348
0924 KXAB 92.9 TX Pasadena, k, wx 615	0927 WEGA 102.5 GA Waycross, k 328
0929 KBFC 93.5 AR Forrest City 251	0939 WFYV 104.5 FL Atlantic Beach, op 410
	0946 WFFX 103.3 GA Waycross, "The Fox" 230
	1004 WQSY 103.9 GA Hawkinsville 230
	1029 W... 99.9 FL Lafayette, op, The Fox 315

0930 XHJTT 100.1 TM Tampico (see note)
Note: 2/23 tr 0930 - This must be XHJTT 100.1 Tampico. Heard "J-100", but I'm confused by mentions of "Montemorelos", and format was Tejano, not FM. I've heard XHJTT by Es, but if this was them, it would be my new record trop at 1099 miles. For now XHNAR 103.3 Linares, NL is my trop record at 1035 miles (XHNAR is not 103.5 as listed in FM Atlas). Previous record trop was XHAAA 93.1 Reynosa, TM (918 mi.) heard Feb 20th, 1986. This trop event is nearly a repeat of what happened Feb. 20 '86, only this went a little further. 73.

QSL CORNER/LOGO'S RUN

(continued from page 12)

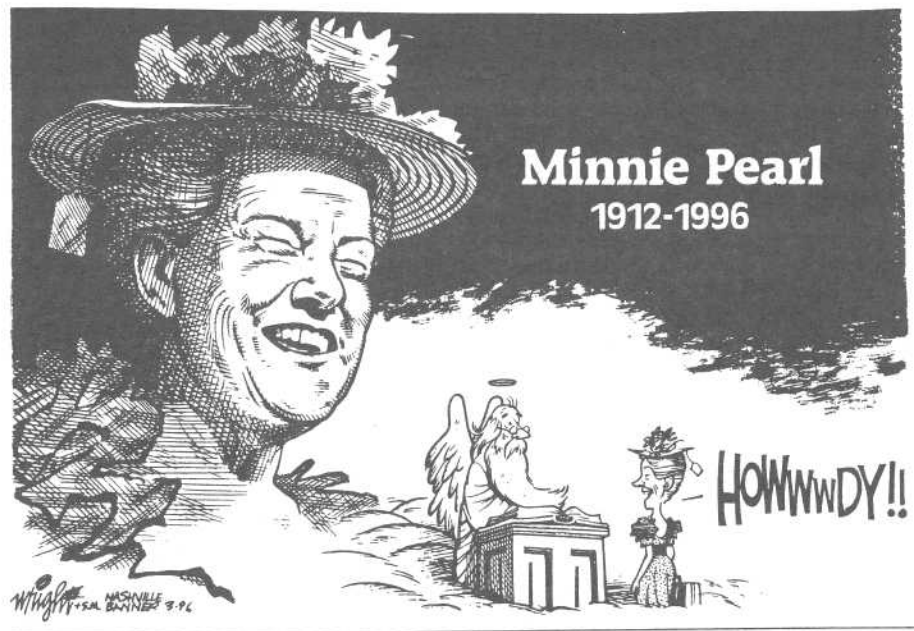
WHY? The WHY question is easy. After you had the luck of logging a rare station the next thing that you would want to do is tell the station, and hope they can verify your reception. As I have found, the WHY is that the QSL is the final part of your DX'ing. To have that verification is the best part of the hobby. To have that piece of paper that says it all. Yes, Mr. Jones, we are so happy to report that your letter of reception is hereby verified, and you can add us to your long list of QSL'ed stations. QSL'ing is the collection of letters & cards of verification. They can be a great joy to have, and to remember forever.

How? The HOW part is the easiest to explain. It is where you write a letter to the radio station, and tell them about your reception. As you are listening to the radio, or watching the television set, you have to take notes of what is going on for details to report. If the radio or TV station has a commercial for some local store, or advertisements for some product, take note of what was heard or seen. As from what I have found, stations do log the time the do commercials. This is for two or more purposes. One reason is to prove they did do the commercial for the sponsor who is paying for the time. The other is a guide for the DJ or program director or whoever is in control of operations. For radio stations, I've found that the music format type is good to report. Not all stations log every song title aired, but if you do need to mention what type of music was heard, it will help a lot. If the station has a slogan, jingle, or a particular way of identifying itself, make sure you write it down to tell them what you heard. Another point about the reception report is just how long a period of time your report should cover. Well, I have found that if you have very little time of actual reception of a station, it is best to report everything you can. You should do your best to describe every detail as possible. Also, if you have plenty of reception time for your report, give what you can.



EDITED FOR THE 'VHF/UHF DIGEST' BY TOM BRYANT,
849 TODD PREIS DR., NASHVILLE, TENNESSEE, 37221

It's not likely that many readers of this feature would have the opportunity to see this cartoon unless they subscribed to the *Nashville Banner*. It's a fitting farewell for a great entertainer...a lady who made millions laugh.



Whether you knew her as a sophisticated socialite or a hayseed comedienne, Sarah Ophelia Collie Cannon ("Minnie Pearl") was a class act. Her homespun humor made her wealthy and famous, but she always managed to find time to greet all who came her way. Whether on the stage of the Grand Ole Opry, shooting the breeze with Ralph Emery on TNN, guesting on another country star's show, or sharing the spotlight with Johnny Carson; she was the crown jewel of the Nashville music scene. I had the pleasure of working with her many times at WSM and found her to be one of the most delightful people I've ever known. In death she joins the ranks of Shakespeare, Mozart, and Elvis...all masters in the field of performance and showmanship. There will probably never be another like her...good reason to be thankful that we were here to enjoy her wit and wisdom. "Minnie"...we'll ALL miss you!

COME TO THE ROCKIES FOR THE 1996 WTFDA CONVENTION!



North Central Colorado highlights the transition between the Great Plains and the high Rockies. From the western edge of its rolling prairie begins the gentle rise of foothills, gaining in altitude ridge by ridge to windswept mountaintops fourteen thousand feet above sea level. Rocky Mountain National Park is a treasure, with an abundance of high mountain lakes, inviting meadows and lofty peaks. The town of Estes Park is a charming vacation community, providing a convenient starting point for scenic mountain drives.

**With a description like this,
who can think about FM
and TV dxing???**

You're certain to want to find out about the broadcasting trends that are happening in the Rockies.


Estes Park

AUGUST 9 - 11, 1996. MAKE YOUR PLANS NOW!!
Lodging will be at the Dripping Springs B&B/Cabins, two miles east of Estes Park on US Highway 34. Call 1-970-586-3406 and talk with owners Oliver & Janie Robertson about the rooming choices. We will basically have the place to ourselves if we can fill it up - holds 25 to 30 people. Room rates run from \$74.00 to \$89.00 per night(sleeps two), and a cabin which sleeps three for \$95.00 per night.
WANT AN INFORMATION PACKET? Send \$1.00 (free if you've registered) to Jim Thomas, 4437 S. Stover, Apt. 3, Ft. Collins, CO 80525 and get a complete WTFDA Convention Packet(includes travel information). **MORE DETAILS NEXT MONTH!!!**